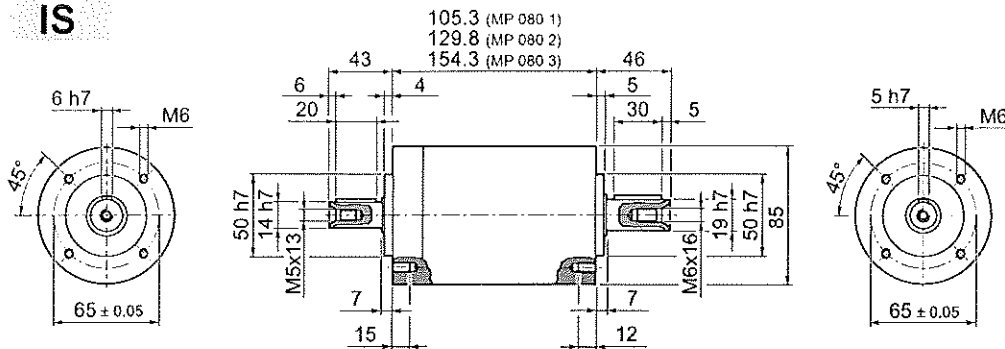


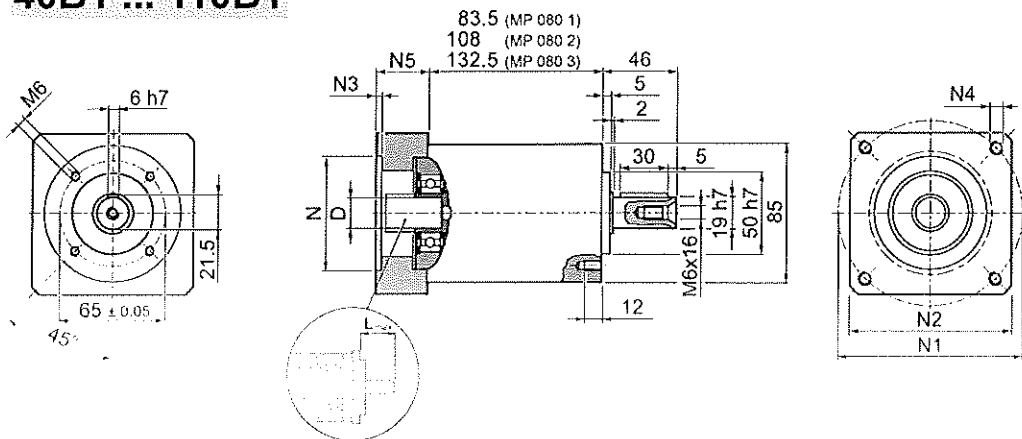
MP 080

IS



	kg
MP 080 1	4.0
MP 080 2	4.6
MP 080 3	5.2

40B1 ... 110B1



	kg
MP 080 1	4.0
MP 080 2	4.6
MP 080 3	5.2

Motor Adapter	D										N	N1	N2	N3	N4	N5	L _{max}		
	8	9	9.52	11	12	12.7	14	-	-	-									
40B1	8	9	9.52	11	12	12.7	14	-	-	-	40	63	80	4	M4x12	34	40		
45A	8	9	9.52	11	12	12.7	-	-	-	-	45	63	80	4	M4x12	34	40		
50B1	8	9	9.52	11	12	12.7	14	-	-	-	50	65	80	4	M5x16	34	40		
50BH1	8	9	9.52	11	12	12.7	14	-	-	-	50	65	80	4	5.5	34	40		
50C1	8	9	9.52	11	12	12.7	14	-	-	-	50	70	80	4	M4x10	34	40		
50D	8	9	9.52	11	12	12.7	14	-	-	-	50	95	80	4	M6x20	34	40		
55A	8	9	9.52	11	12	12.7	14	15.875	16	17	19	19.05	55.5	125.7	105	4	M6x20	34	40
60A2	8	9	9.52	11	12	12.7	14	-	-	-	60	75	80	4	M5x16	34	40		
60AH2	8	9	9.52	11	12	12.7	14	-	-	-	60	75	90	4	6.5	34	40		
60B1	8	9	9.52	11	12	12.7	14	15.875	16	-	60	85	80	4	M5x16	34	40		
60C1	8	9	9.52	11	12	12.7	14	15.875	16	-	60	90	80	4	M5x16	34	40		
70A1	8	9	9.52	11	12	12.7	14	15.875	16	17	19	19.05	70	85	80	4	M6x20	34	40
70AH1	8	9	9.52	11	12	12.7	14	15.875	16	17	19	19.05	70	85	90	4	6.5	34	40
70B1	8	9	9.52	11	12	12.7	14	15.875	16	17	19	19.05	70	90	80	4	M5x16	34	40
73A1	8	9	9.52	11	12	12.7	14	-	-	-	73	98.4	85	4	M5x16	34	40		
80A1	8	9	9.52	11	12	12.7	14	15.875	16	17	19	19.05	80	100	90	4	M6x16	34	40
95A	8	9	9.52	11	12	12.7	14	15.875	16	17	19	19.05	95	115	100	4	M8x20	34	40
95B	8	9	9.52	11	12	12.7	14	15.875	16	17	19	19.05	95	130	115	4	M8x20	34	40
110A	8	9	9.52	11	12	12.7	14	15.875	16	17	19	19.05	110	130	115	4	M8x20	34	40
110B	8	9	9.52	11	12	12.7	14	15.875	16	17	19	19.05	110	145	120	6.5	M8x20	44	50
110B1	8	9	9.52	11	12	12.7	14	15.875	16	17	19	19.05	110	145	120	6.5	M8x20	54	60

Please contact us for other motor adapters and input shaft bore.