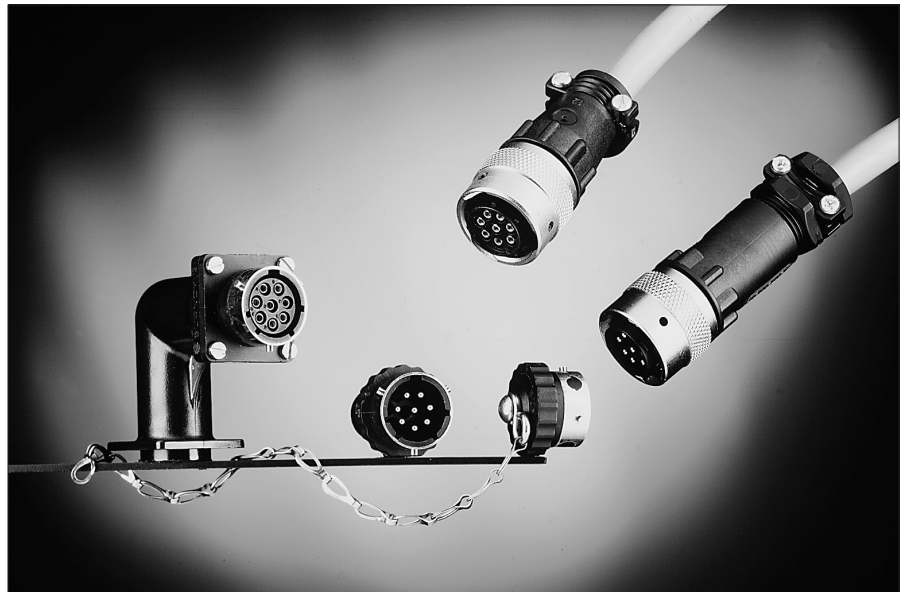




## Plastic connector with metal coupling system

### Description

“UTG” Metalok Bantam plastic industrial circular connectors with metal coupling are a range of multiway connectors to provide the complete answer to the need for lightweight, robust circular connectors. They are available in 8 shell sizes, 11 insert arrangements **all intermateable, interchangeable and intermountable** with the TRIM TRIO “UTO” and “UTP” industrial connector families.



### Features and benefits

- Available in 8 shell sizes and 11 insert arrangements incl. 3 VDE versions.
- Available in plug and receptacle versions for both male and female contacts.
- Connectors and accessories are moulded from highly durable glass-filled thermoplastic.
- Flammability rating: UL94-V0.
- Metal bayonet ring:
  - Metal wave spring loaded.
  - Locks with audible positive “click”
  - Assures 500 matings and unmatings
  - UL recognized file Nr.: E238675

### Performance characteristics

|  |                            |
|--|----------------------------|
| Operating temperature:   | -55°C to +125°C            |
| Insulation resistance:   | 5000 MΩ min.               |
| Test potential:  | 2000 VAC                   |
| Durability:  | 500 matings and unmatings. |
| Vibration resistance:  | Per MIL-STD202 method 204  |
| Thermal shock:   | Per MIL-STD202 method 207  |
| Degree of protection per DIN 40050:<br>IP65 in mated condition. “H” version used with waterprotected backshells. |                            |

### Construction

|                  |   |
|------------------|---|
| Connector body   | Glass filled thermoplast UL94-V0<br>Colour: black |
| Coupling ring:   | Nickel plated brass                               |
| Tri-lock pins:   | Stainless steel                                   |
| Coupling spring: | Spring steel                                      |

### Contact accommodation

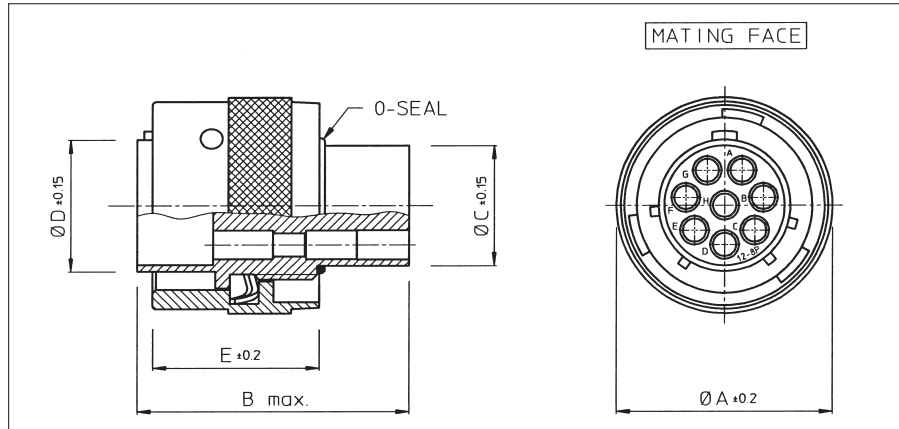
- “UTG” connectors accept TRIM TRIO size 16 removable snap-lock contacts (see contact section)
- Contacts to be ordered separately.

### How to order

|                            |   |          |           |           |          |          |          |           |
|----------------------------|---|----------|-----------|-----------|----------|----------|----------|-----------|
| <b>Connector family :</b>  | <b>UTG</b>  | <b>0</b> | <b>14</b> | <b>12</b> | <b>P</b> |          | <b>H</b> | <b>--</b> |
|                            | <b>UTG</b>  | <b>6</b> | <b>14</b> | <b>12</b> | <b>S</b> | <b>N</b> |          | <b>--</b> |
| <b>Body variation:</b>     | <b>0</b> : Wall mounting receptacle<br><b>6</b> : Cable plug<br><b>1</b> : Free hanging receptacle    |          |           |           |          |          |          |           |
| <b>Shell size:</b>         |   |          |           |           |          |          |          |           |
| <b>Insert arrangement:</b> |   |          |           |           |          |          |          |           |
| <b>Type of contacts:</b>   | <b>P</b> : Pin contacts<br><b>S</b> : Socket contacts   |          |           |           |          |          |          |           |
| <b>Plating</b>             | <b>N</b> : Nickelplated bayonet ring  |          |           |           |          |          |          |           |
| <b>Application</b>         | <b>No letter</b> : Standard version<br><b>H</b> : Water protected version (only receptacle)           |          |           |           |          |          |          |           |
| <b>Design variation</b>    | <b>No letter</b> : Moulded-in contact marking (standard version)<br><b>Others</b> : Specials versions |          |           |           |          |          |          |           |



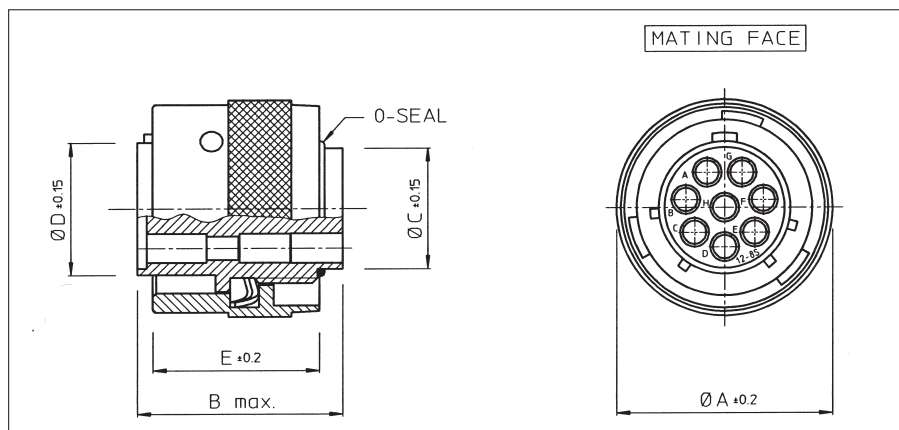
## Cable plug for pin contacts (UTG6- - - -PN)



| Part number                       | Shell size | Ø A ±0.2 | B max.      | Ø C ±0.15 | Ø D ±0.15 | E ±0.2 |
|-----------------------------------|------------|----------|-------------|-----------|-----------|--------|
| <b>UTG6104PN / UTG6103PNVDE</b>   | <b>10</b>  | 21.6     | 31.8        | 10.9      | 12.2      | 19.1   |
| <b>UTG6128PN</b>                  | <b>12</b>  | 24.8     |             | 13.8      | 15.1      |        |
| <b>UTG61412PN</b>                 | <b>14</b>  | 28.0     |             | 17.0      | 18.3      |        |
| <b>UTG61619PN</b>                 | <b>16</b>  | 31.2     |             | 19.9      | 21.5      |        |
| <b>UTG61823PN / UTG6187PNVDEU</b> | <b>18</b>  | 34.3     | 31.8 / 33.0 | 22.4      | 24.0      |        |
| <b>UTG62028PN / UTG62020PN</b>    | <b>20</b>  | 37.5     | 31.8 / 35.3 | 25.6      | 27.2      |        |
| <b>UTG62235PN</b>                 | <b>22</b>  | 40.7     | 31.8        | 26.5      | 30.4      |        |
| <b>UTG62448PN</b>                 | <b>24</b>  | 43.9     |             | 31.7      | 33.5      |        |

Part numbers are suitable for both standard and IP65 water protection versions.

## Cable plug for socket contacts (UTG6- - - -SN)

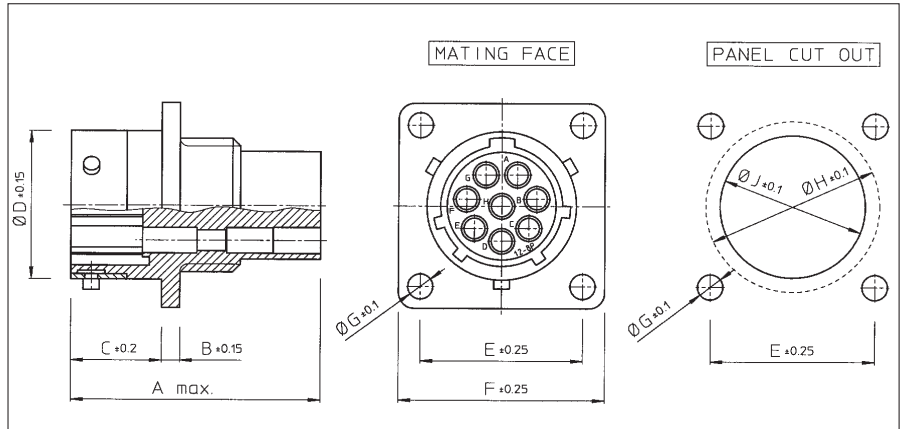


| Part number                       | Shell size | Ø A ±0.2 | B max.       | Ø C ±0.15 | Ø D ±0.15 | E ±0.2 |
|-----------------------------------|------------|----------|--------------|-----------|-----------|--------|
| <b>UTG6104SN / UTG6103SNVDE</b>   | <b>10</b>  | 21.6     | 23.9 / 26.75 | 10.9      | 12.2      | 19.1   |
| <b>UTG6128SN</b>                  | <b>12</b>  | 24.8     | 23.9         | 13.8      | 15.1      |        |
| <b>UTG61412SN</b>                 | <b>14</b>  | 28.0     |              | 17.0      | 18.3      |        |
| <b>UTG61619SN</b>                 | <b>16</b>  | 31.2     | 19.9         | 21.5      |           |        |
| <b>UTG61823SN / UTG6187SNVDEU</b> | <b>18</b>  | 34.3     | 23.9 / 29.0  | 22.4      | 24.0      |        |
| <b>UTG62028SN / UTG62020SN</b>    | <b>20</b>  | 37.5     | 24.9         | 25.6      | 27.2      |        |
| <b>UTG62235SN</b>                 | <b>22</b>  | 40.7     |              | 28.5      | 30.4      |        |
| <b>UTG62448SN</b>                 | <b>24</b>  | 43.9     | 26.2         | 31.7      | 33.5      |        |

Part numbers are suitable for both standard and IP65 water protection versions.



## Wall mounting receptacle for pin contacts (UTG0- - - -P)

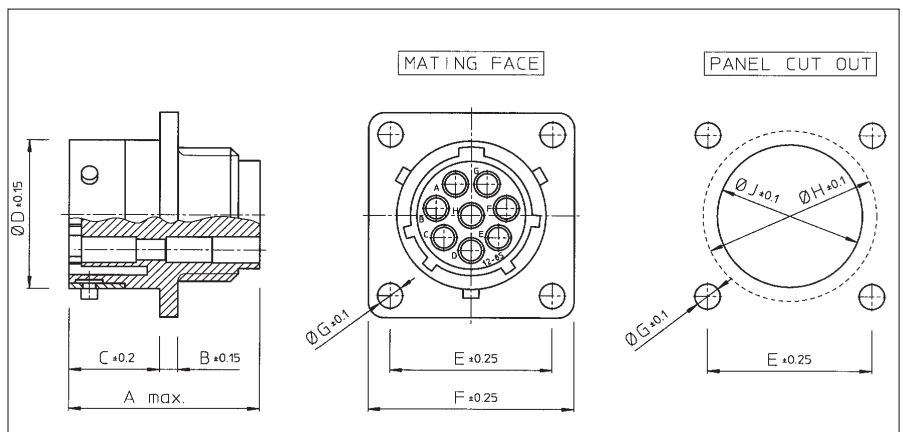


| Part number              | Shell size | A max.    | B ±0.15 | C ±0.2    | Ø D ±0.15 | E ±0.25 | F -0.25 | Ø G ±0.1 | Ø H ±0.1 | Ø J ±0.1 |
|--------------------------|------------|-----------|---------|-----------|-----------|---------|---------|----------|----------|----------|
| UTG0104P / UTG0103PVDE   | 10         | 31.7      | 2.3     | 11.3      | 15.0      | 18.3    | 23.8    | 3.2      | 17.3     | 15.1     |
| UTG0128P                 | 12         |           |         |           | 19.0      | 20.6    | 26.2    |          | 21.8     | 18.2     |
| UTG01412P                | 14         |           |         |           | 22.2      | 23.0    | 28.6    |          | 25.0     | 21.4     |
| UTG01619P                | 16         |           |         |           | 25.3      | 24.6    | 31.0    |          | 28.1     | 24.6     |
| UTG01823P / UTG0187PVDEU | 18         | 31.7/34.0 | 2.5     | 11.3/17.9 | 28.5      | 27.0    | 33.3    | 3.9      | 31.3     | 27.8     |
| UTG02028P / UTG02020P    | 20         | 33.3/34.3 |         |           | 14.5      | 31.7    | 29.4    |          | 36.5     | 34.5     |
| UTG02235P                | 22         | 33.3      | 3.5     | 15.3      | 34.9      | 31.8    | 39.7    | 3.9      | 37.7     | 34.1     |
| UTG02448P                | 24         |           |         |           | 38.0      | 34.9    | 42.9    |          | 40.9     | 37.3     |

For IP65 waterprotected version add "H" behind "P" e.g. UTG01412PH

A square flange sealing has to be ordered separately to guarantee a sealing with the equipment. Refer to "Circular accessories" section (UTFD--).

## Wall mounting receptacle for socket contacts (UTG0- - - -S)



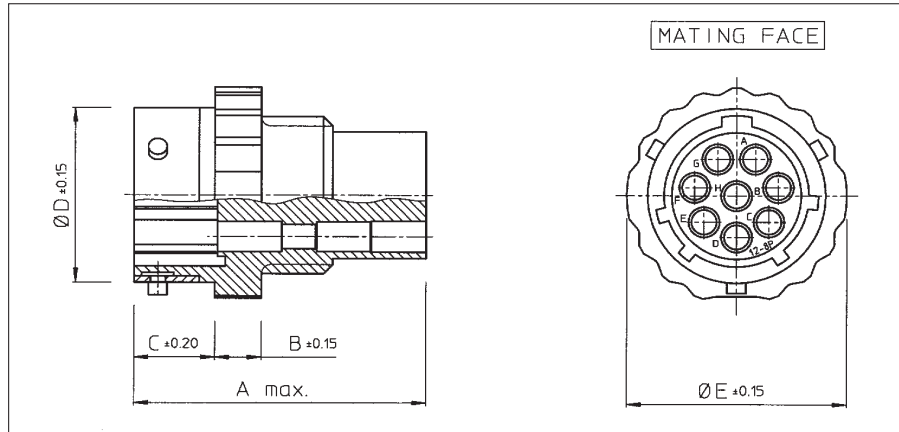
| Part number              | Shell size | A max.    | B ±0.15 | C ±0.2    | Ø D ±0.15 | E ±0.25 | F -0.25 | Ø G ±0.1 | Ø H ±0.1 | Ø J ±0.1 |
|--------------------------|------------|-----------|---------|-----------|-----------|---------|---------|----------|----------|----------|
| UTG0104S / UTG0103SVDE   | 10         | 24.3      | 2.3     | 11.3      | 15.0      | 18.3    | 23.8    | 3.2      | 17.3     | 15.1     |
| UTG0128S                 | 12         |           |         |           | 19.0      | 20.6    | 26.2    |          | 21.8     | 18.2     |
| UTG01412S                | 14         |           |         |           | 22.2      | 23.0    | 28.6    |          | 25.0     | 21.4     |
| UTG01619S                | 16         |           |         |           | 25.3      | 24.6    | 31.0    |          | 28.1     | 24.6     |
| UTG01823S / UTG0187SVDEU | 18         | 24.3/30.4 | 2.5     | 11.3/17.9 | 28.5      | 27.0    | 33.3    | 3.9      | 31.3     | 27.8     |
| UTG02028S / UTG02020S    | 20         | 27.0      |         |           | 14.5      | 31.7    | 29.4    |          | 36.5     | 34.5     |
| UTG02235S                | 22         | 28.0      | 3.5     | 15.3      | 34.9      | 31.8    | 39.7    | 3.9      | 37.7     | 34.1     |
| UTG02448S                | 24         |           |         |           | 30.4      | 38.0    | 34.9    |          | 42.9     | 40.9     |

For IP65 waterprotected version add "H" behind "S" e.g. UTG01412SH

A square flange sealing has to be ordered separately to guarantee a sealing with the equipment. Refer to "Circular accessories" section (UTFD--).



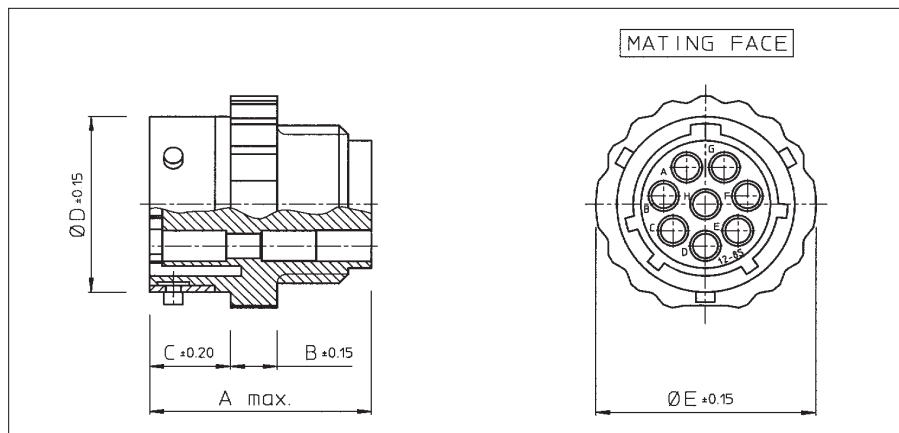
## Free hanging receptacle for pin contacts (UTG1- - - -P)



| Part number              | Shell size | A max.    | B ±0.15 | C ±0.2     | Ø D ±0.15 | Ø E ±0.15 |
|--------------------------|------------|-----------|---------|------------|-----------|-----------|
| UTG1104P / UTG1103PVDE   | 10         | 31.7      | 5.0     | 8.65       | 15.0      | 19.5      |
| UTG1128P                 | 12         |           |         |            | 19.0      | 23.5      |
| UTG11412P                | 14         |           |         |            | 22.2      | 27.0      |
| UTG11619P                | 16         |           |         |            | 25.3      | 30.0      |
| UTG11823P / UTG1187PVDEU | 18         | 31.7/34.0 | 5.0     | 8.65/15.35 | 28.5      | 33.0      |
| UTG12028P / UTG12020P    | 20         | 33.3/34.3 |         | 12.05      | 31.7      | 36.5      |
| UTG12235P                | 22         | 33.3      |         | 34.9       | 39.5      |           |
| UTG12448P                | 24         |           |         | 13.85      | 38.0      | 42.5      |

For IP65 waterprotected version add "H" behind "P" e.g. UTG11412PH

## Free hanging receptacle for socket contacts (UTG1- - - -S)



| Part number              | Shell size | A max.    | B ±0.15 | C ±0.2     | Ø D ±0.15 | Ø E ±0.15 |
|--------------------------|------------|-----------|---------|------------|-----------|-----------|
| UTG1104S / UTG1103SVDE   | 10         | 24.3/27.6 | 5.0     | 8.65       | 15.0      | 19.5      |
| UTG1128S                 | 12         | 24.3      |         |            | 19.0      | 23.5      |
| UTG11412S                | 14         |           |         |            | 22.2      | 27.0      |
| UTG11619S                | 16         | 25.3      |         |            | 30.0      |           |
| UTG11823S / UTG1187SVDEU | 18         | 24.3/30.4 | 5.0     | 8.65/15.35 | 28.5      | 33.0      |
| UTG12028S / UTG12020S    | 20         | 25.9      |         | 12.05      | 31.7      | 36.5      |
| UTG12235S                | 22         |           |         | 34.9       | 39.5      |           |
| UTG12448S                | 24         |           |         | 13.85      | 38.0      | 42.5      |

For IP65 waterprotected version add "H" behind "S" e.g. UTG11412SH

# Mouser Electronics

Authorized Distributor

Click to View Pricing, Inventory, Delivery & Lifecycle Information:

Souriau:

[UTG0187PVDEU](#) [UTG612-8PN](#)