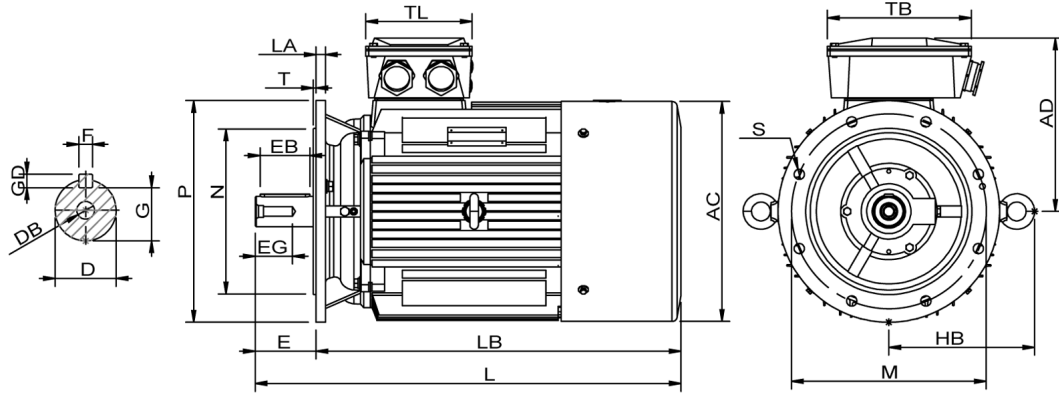


# Data Sheet

Itemnumber....: 3243150209



AC = 620	DB = M20	EG = 56	GD = 14	LA = 22	N = 550	T = 6
AD = 546	E = 170	F = 22	HB = 432	LB = 1038	P = 660	TB = 400
D = 80	EB = 140	G = 71	L = 1208	M = 600	S = 8-Ø24	TL = 280

## Version

Type.....: HMC2 315S-4  
 Design.....: Induction motor  
 Standard series.....: IEC 60034  
 Phase / Voltage range.....: 3~ / Low

## Electrical design

Efficiency.....: IE2  
 Pole.....: 4  
 Power at 50 Hz (kW).....: 110  
 Hz.....: 60 (60 Hz output)  
 Voltage.....: 440VD  
 Winding voltage.....: 400VD/690VY 50 Hz  
 Power output (kW).....: 128  
 Duty.....: S1  
 Insulation class.....: F  
 Temperature rise.....: B

## Motor protection

Thermal protection main....: PTC 3x 155 dgr  
 Thermal protection second..: None  
 Space heater.....: 1x 230V 100W  
 Temperature detector.....: No  
 SPM.....: No  
 IR wire.....: No  
 Tropical insulation.....: Yes

## Explosion protection

According to.....: None  
 Type of protection.....: None

## General

Direction of rotation.....: CW  
 Painting.....: RAL 9005  
 Nameplate.....: Multivoltage + VFD  
 Special packing.....: No  
 Special requirements.....: No

## Mechanical design

Frame size.....: 315  
 Mounting.....: B5  
 Rain cap.....: No  
 Protection class.....: IP55  
 Cooling method.....: IC411/TEFC  
 External grounding.....: Yes  
 Drain hole.....: Yes  
 Frame material.....: Cast Iron  
 Material approval.....: None  
 Shaft.....: IEC Standard  
 Key.....: Closed key  
 Balancing.....: Half key balancing  
 Vibration class.....: Grade-A  
 Weight (kg).....: 840

## Environment condition

Ambient temp. min. (°C)..: -20  
 Ambient temp. max. (°C)..: 45  
 Altitude (mtr up to).....: 1000

## Bearing

DE Bearing.....: 6319/C3  
 NDE Bearing.....: 6319/C3  
 Fixed bearing.....: DE

## Terminal box

Tbox position.....: Top  
 Cable entry direction.....: Right (from DE)  
 Cable entry  
 Main.....: 2 x M63x1,5  
 Ø37-44mm metal  
 Accessory.....: 2 x M20x1,5  
 Metal blindcaps  
 Terminal board thread.....: 6-M16

## Test values

Rotor inertia (kgm²).....: 2,87  
 Noise level (dB(A)).....: 81  
 No load current (A).....: 55,5  
 Winding resist. (ohm).....: 0,024  
 Starting time (sec.).....: 0,28  
 Temp. rise winding (K).....: 56  
 Temp. rise surface (K).....: 21

Rated power (kW) . . . . .	110	106	132	128
Frequency (Hz) . . . . .	50	50	60	60
Voltage (V) . . . . .	400 690	380 660	480 830	440
Connection . . . . .	D Y	D Y	D Y	D
Full load current (A) . . . . .	190 110	196 114	190 110	198
Speed (rpm) . . . . .	1490	1490	1780	1780
Power factor cos(phi) . . . . .	0,89	0,89	0,89	0,90
Efficiency, 100/75/50 (%) . . . . .	94,5/ 94,7 /93,9	94,5/ 94,7 /93,9	94,5/ 94,7 /93,9	94,1/ 94,3 /93,5
Ist/In . . . . .	6,85	6,05	6,85	6,30
Full load torque (Nm) . . . . .	705	685	705	685
Tst/Tn . . . . .	2,50	2,32	2,50	2,16
Tmax/Tn . . . . .	3,05	2,80	3,05	2,60
Duty . . . . .	S1	S1	S1	S1
Ambient temp. (°C) . . . . .	40	45	40	45