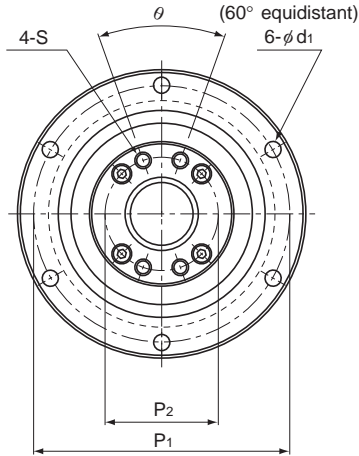


Model BLR Large Lead Rotary Nut Rolled Ball Screw



Model No.	Screw shaft outer diameter d	Thread minor diameter dc	Lead Ph	Ball center-to-center diameter dp	Basic load rating		Outer diameter D	Flange diameter D ₁	Overall length L ₁	D ₃
					Ca kN	C _{0a} kN				
BLR 1616-3.6	16	13.7	16	16.65	5.8	12.9	52 ⁰ _{-0.007}	68	43.5	40 ⁰ _{-0.025}
BLR 2020-3.6	20	17.5	20	20.75	7.7	22.3	62 ⁰ _{-0.007}	78	54	50 ⁰ _{-0.025}
BLR 2525-3.6	25	21.9	25	26	12.1	35	72 ⁰ _{-0.007}	92	65	58 ⁰ _{-0.03}
BLR 3232-3.6	32	28.3	32	33.25	17.3	53.9	80 ⁰ _{-0.007}	105	80	66 ⁰ _{-0.03}
BLR 3636-3.6	36	31.7	36	37.4	22.4	70.5	100 ⁰ _{-0.008}	130	93	80 ⁰ _{-0.03}
BLR 4040-3.6	40	35.2	40	41.75	28.1	89.8	110 ⁰ _{-0.008}	140	98	90 ⁰ _{-0.035}
BLR 5050-3.6	50	44.1	50	52.2	42.1	140.4	120 ⁰ _{-0.008}	156	126	100 ⁰ _{-0.035}

Model number coding

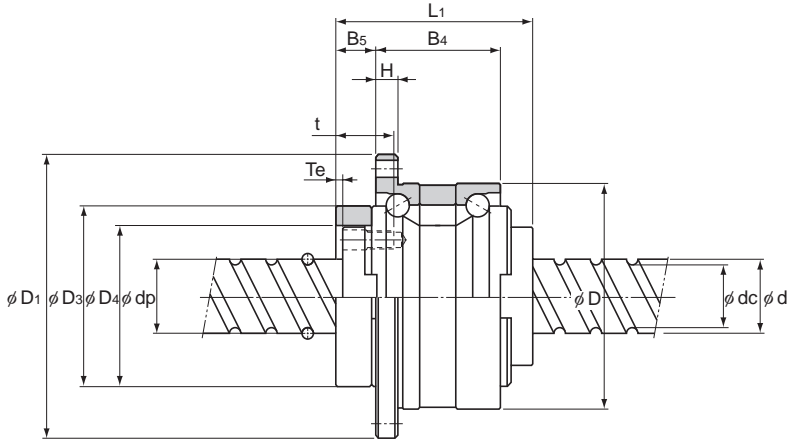
BLR2020-3.6 K UU +1000L C7 T

Model number | Flange orientation symbol (*1) | Overall screw shaft length (in mm) | Symbol for rolled Ball Screw
 Symbol for support bearing seal (*2) | Accuracy symbol (*3)

(*1) See **A15-307**. (*2) UU: seal attached on both ends; No symbol: without seal. (*3) See **A15-12**.

Note) For clearance in the axial direction, see **A15-19**.

Rolled Rotary Ball Screw



Unit: mm

Ball screw dimensions												Support bearing basic load rating		Nut inertial moment kg·cm ²	Nut mass kg	Shaft mass kg/m
D ₄	H	B ₄	B ₅	T _e	P ₁	P ₂	S	t	d ₁	θ°	Ca kN	C _{0a} kN				
32	$\begin{matrix} +0.025 \\ 0 \end{matrix}$	5	27.5	9	2	60	25	M4	12	4.5	40	19.4	19.2	0.48	0.38	1.35
39	$\begin{matrix} +0.025 \\ 0 \end{matrix}$	6	34	11	2	70	31	M5	16	4.5	40	26.8	29.3	1.44	0.68	2.17
47	$\begin{matrix} +0.025 \\ 0 \end{matrix}$	8	43	12.5	3	81	38	M6	19	5.5	40	28.2	33.3	3.23	1.1	3.41
58	$\begin{matrix} +0.03 \\ 0 \end{matrix}$	9	55	14	3	91	48	M6	19	6.6	40	30	39	6.74	1.74	5.69
66	$\begin{matrix} +0.03 \\ 0 \end{matrix}$	11	62	17	3	113	54	M8	22	9	40	56.4	65.2	16.8	3.2	7.12
73	$\begin{matrix} +0.03 \\ 0 \end{matrix}$	11	68	16.5	3	123	61	M8	22	9	50	59.3	74.1	27.9	3.95	8.76
90	$\begin{matrix} +0.035 \\ 0 \end{matrix}$	12	80	25	4	136	75	M10	28	11	50	62.2	83	58.2	6.22	13.79

Ball Screw