

Simmerring BA.../SL to DIN 3760 A/AS

Simmerring BAUX2, BAUSLX2, BAFUDX7, BAFUDSLX7, BA, BASL, BAU, BAUSL

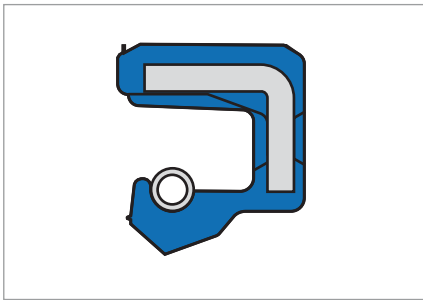


Fig. 1 Simmerring BA...SL NBR

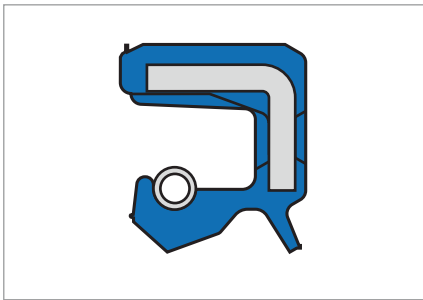


Fig. 2 Simmerring BA...SL NBR

Product advantages

- Broad range of applications in every sector of industry
- Reliable sealing of the housing bore, even with increased roughness of the bore, thermal expansion and split housings, thus a sealing of low viscosity and gaseous media also possible
- Additional dust lip as additional seal against moderate and medium dust and dirt ingress from outside (BA...SL). (Note: can lead to temperature increase from frictional heat).

Application

- Industrial gearboxes
- Axles (when subject to moderate dirt)
- Power tools.

Material

Acrylonitrile-butadiene rubber

Code	72 NBR 902
Colour	Blue
Hardness	72 Shore A
Metal insert	Unalloyed steel DIN 1624
Spring	Spring steel DIN 17223

Product description

- Outer casing: elastomer (smooth or grooved = X7)
- Spring-loaded sealing lip
- Additional dust lip (BA...SL)
- Sealing lip profile, sealing lip machined on the front face (BAUX2, BAUSLX2 = preferred type)
- Sealing lip profile, finished sealing lip (BAFUDX7/BAFUDSLX7).

Operating conditions

Media	Mineral oils, synthetic oils*, greases
T	-40 ... +100 °C short term up to... +120 °C
v	<p>Permissible circumferential speed for Simmerrings made from the materials NBR (72 NBR 902) and FKM (75 FKM 585) for the sealing of motor oil SAE 20. Use Simmerring® with SL (dust lip): v = max. 8 m/s.</p>
P	up to 0,05 MPa/0,5 bar for >0,05 MPa/0,5 bar, a Simmerring with back-up ring can be used → Technical handbook. up to 0,02 MPa/0,2 bar (BAFUDX7/BAFUDSLX7)

* With synthetic oils (polyalkylene glycols/polyalphaolefins, → Technical Manual synthetic lubricants) it is to be noted that the maximum operating temperature of 80 °C must not be exceeded.

Max. permissible values depend on the other operating conditions.

Fitting & installation

Shaft

Tolerance	ISO h 11
Runout	IT 8
Roughness	$R_a = 0,2 \dots 0,8 \mu\text{m}$
	$R_z = 1,0 \dots 5,0 \mu\text{m}$
	$R_{max} = <6,3 \mu\text{m}$
Hardness	45 ... 60 HRC
Finish	No lead; preferably plunge ground

Housing bore

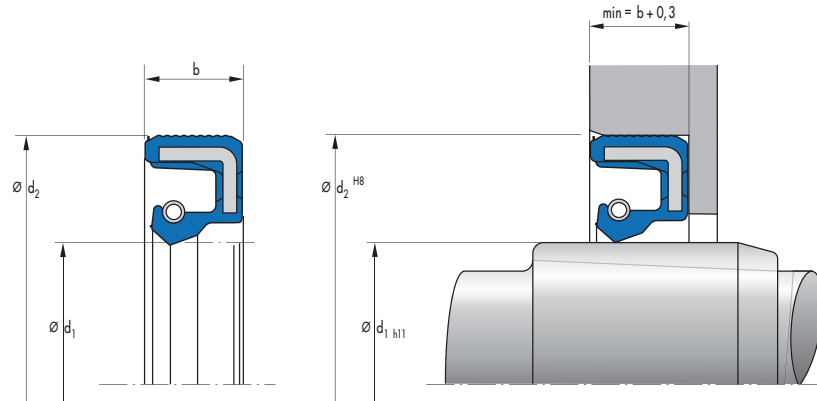
Tolerance	ISO H8
Roughness rubber OD covering	$R_z = 10 \dots 25 \mu\text{m}$

Careful fitting according to DIN 3760 is a prerequisite for the correct function of the seal → Technical Manual.

Range of dimensions for shafts-Ø d₁

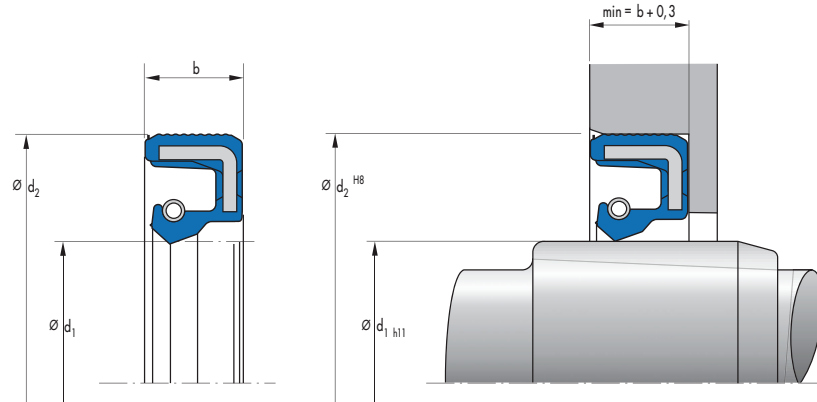
Simmerring BA...	4 ... 600 mm
Simmerring BA...SL	8 ... 300 mm

Article list



d_1	d_2	b	DIN 3761	Outer surface	Pressure	Material	Type	Article No.	
4	12	6	A	smooth	0,05	72 NBR 902	BA	6325	●
4	16	7	A	smooth	0,05	72 NBR 902	BA	1931	●
5	15	6	A	smooth	0,02	72 NBR 902	BAFUD	405057	●
5	19	5	A	smooth	0,05	72 NBR 902	BA	32513	●
5	22	8	A	smooth	0,05	72 NBR 902	BA	6335	●
6	16	5	A	smooth	0,05	72 NBR 902	BA	12019071	●
6	16	7	A	smooth	0,05	72 NBR 902	BA	6341	●
6	19	6	A	smooth	0,05	72 NBR 902	BAU	6344	●
6	22	7	A	grooved	0,02	72 NBR 902	BAFUDX7	6352	●
6	22	7	A	grooved	0,02	72 NBR 902	BAFUDX7	527276	○
6	22	7	AS	smooth	0,02	72 NBR 902	BAFUDSL	12011104	●
7	16	7	A	smooth	0,05	72 NBR 902	BA	6365	●
7	22	6	A	smooth	0,05	72 NBR 902	BA	6372	●
7	22	7	A	smooth	0,05	72 NBR 902	BA	6374	●
8	16	7	A	smooth	0,05	72 NBR 902	BA	7566	●
8	16	7	AS	smooth	0,05	72 NBR 902	BASL	409737	●
8	18	5	A	smooth	0,05	72 NBR 902	BA	6397	●
8	20	8	A	smooth	0,05	72 NBR 902	BA	6403	●
8	22	6	A	smooth	0,05	72 NBR 902	BAU	6405	●
8	22	7	A	smooth	0,05	72 NBR 902	BA	6412	●
8	22	8	A	smooth	0,05	72 NBR 902	BA	6418	●
8	24	7	A	smooth	0,05	72 NBR 902	BA	6421	●
9	18	6	A	smooth	0,05	72 NBR 902	BA	6431	●
9	22	7	A	smooth	0,05	72 NBR 902	BA	6438	●
9	24	7	A	smooth	0,05	72 NBR 902	BAU	6443	●
9	26	7	A	smooth	0,05	72 NBR 902	BA	6445	●
9,5	25,4	8	A	smooth	0,05	72 NBR 902	BAU	6454	●
10	16	4	A	smooth	0,02	72 NBR 902	BAFUD	12000016	●
10	18	4	A	smooth	0,02	72 NBR 902	BAFUD	12000017	●
10	18	6	A	smooth	0,02	72 NBR 902	BAFUD	470999	●
10	19	7	AS	smooth	0,05	72 NBR 902	BASL	6463	●
10	19	7	A	smooth	0,02	72 NBR 902	BAFUD	471001	●
10	20	6	A	smooth	0,05	72 NBR 902	BA	6467	●
10	22	7	A	grooved	0,02	72 NBR 902	BAFUDX7	362172	●
10	22	8	A	smooth	0,05	72 NBR 902	BA	6485	●

● Available from stock ○ On request: Tool is available, delivery at short notice

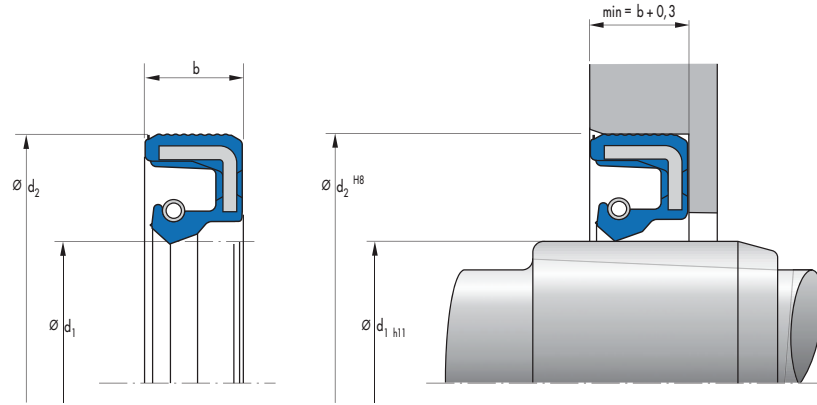


d ₁	d ₂	b	DIN 3761	Outer surface	Pressure	Material	Type	Article No.	
10	22	8	AS	smooth	0,05	72 NBR 902	BASL	6486	●
10	24	7	A	smooth	0,05	72 NBR 902	BA	6492	●
10	26	7	AS	smooth	0,05	72 NBR 902	BASL	3360	●
10	26	7	A	smooth	0,05	72 NBR 902	BA	6501	●
10	28	7	A	smooth	0,05	72 NBR 902	BAU	6504	●
10	30	10	A	smooth	0,05	72 NBR 902	BA	6511	●
11	17	4	A	smooth	0,02	72 NBR 902	BAFUD	12010767	●
11	22	7	A	smooth	0,05	72 NBR 902	BA	6518	●
11	26	7	A	smooth	0,05	72 NBR 902	BA	6528	●
12	19	5	A	smooth	0,05	72 NBR 902	BA	6550	●
12	20	7	A	smooth	0,02	72 NBR 902	BAFUD	12010771	●
12	22	4	A	grooved	0,02	72 NBR 902	BAFUDX7	436286	●
12	22	6,5	A	smooth	0,05	72 NBR 902	BA	6555	●
12	22	7	A	smooth	0,05	72 NBR 902	BAU	6564	●
12	24	6,5	A	smooth	0,05	72 NBR 902	BA	6572	●
12	24	7	A	smooth	0,05	72 NBR 902	BA	6575	●
12	25	5	A	smooth	0,05	72 NBR 902	BAUX2	6582	●
12	25	6	A	smooth	0,05	72 NBR 902	BAU	49016141	●
12	25	8	A	smooth	0,05	72 NBR 902	BAU	6590	●
12	26	8	A	smooth	0,05	72 NBR 902	BAU	6598	●
12	28	5	AS	smooth	0,05	72 NBR 902	BAUSLX2	526251	●
12	28	7	AS	smooth	0,02	72 NBR 902	BAFUDSL	12011106	●
12	28	7	A	smooth	0,05	72 NBR 902	BAUX2	49004096	●
12	30	7	A	smooth	0,05	72 NBR 902	BA	2669	●
12	30	10	A	smooth	0,05	72 NBR 902	BA	6620	●
12	30	12	A	smooth	0,05	72 NBR 902	BA	6629	●
12	32	7	A	smooth	0,05	72 NBR 902	BAUX2	49004095	●
12	32	10	A	smooth	0,05	72 NBR 902	BA	6633	●
12	35	10	A	smooth	0,05	72 NBR 902	BAU	6635	●
12,7	22	6	A	smooth	0,05	72 NBR 902	BAU	6637	●
13	22	4	A	smooth	0,02	72 NBR 902	BAFUD	12010781	●
13	23	6	A	smooth	0,05	72 NBR 902	BA	6656	●
13	25	5	A	smooth	0,05	72 NBR 902	BA	6658	●
13	26	7	A	smooth	0,05	72 NBR 902	BAU	6663	●
13	28	7	AS	smooth	0,05	72 NBR 902	BASL	3367	●
13	30	8	A	smooth	0,05	72 NBR 902	BA	6671	●

● Available from stock ○ On request: Tool is available, delivery at short notice

d ₁	d ₂	b	DIN 3761	Outer surface	Pressure	Material	Type	Article No.	
14	22	4	A	smooth	0,05	72 NBR 902	BA	33554	●
14	23	7	A	smooth	0,05	72 NBR 902	BAU	6683	●
14	24	7	AS	smooth	0,05	72 NBR 902	BAUSLX2	86818	○
14	24	7	A	smooth	0,05	72 NBR 902	BA	531005	●
14	24	7	A	smooth	0,05	72 NBR 902	BA	12010784	○
14	25	5	A	smooth	0,05	72 NBR 902	BA	6694	●
14	26	7	A	smooth	0,05	72 NBR 902	BA	6700	●
14	28	7	A	grooved	0,02	72 NBR 902	BAFUDX7	355486	●
14	28	7	AS	smooth	0,02	72 NBR 902	BAFUDSL	12011750	●
14	30	7	A	smooth	0,05	72 NBR 902	BAU	6713	●
14	30	10	A	smooth	0,05	72 NBR 902	BAU	6717	●
14	30	10	AS	smooth	0,05	72 NBR 902	BASL	38284	●
14	32	10	A	smooth	0,05	72 NBR 902	BA	6723	●
14	35	7	A	smooth	0,05	72 NBR 902	BA	31450	●
14	35	10	A	smooth	0,05	72 NBR 902	BA	6726	●
15	24	5	A	smooth	0,02	72 NBR 902	BAFUD	12010789	●
15	24	6	AS	smooth	0,02	72 NBR 902	BAFUDSL	12011107	●
15	24	7	A	smooth	0,05	72 NBR 902	BA	6736	●
15	24	7	AS	smooth	0,02	72 NBR 902	BAFUDSL	12000444	●
15	25	5	A	smooth	0,05	72 NBR 902	BA	532053	●
15	25	6	A	smooth	0,05	72 NBR 902	BAUSL	49016152	●
15	26	7	A	smooth	0,05	72 NBR 902	BA	6747	○
15	26	7	A	smooth	0,05	72 NBR 902	BAUSL	6749	●
15	26	7	A	smooth	0,05	72 NBR 902	BA	12010791	○
15	26	7	A	smooth	0,05	72 NBR 902	BAUX2	49028520	●
15	28	9	A	smooth	0,05	72 NBR 902	BA	6753	●
15	30	4,5	A	smooth	0,02	72 NBR 902	BAFUD	12010793	●
15	30	7	A	smooth	0,05	72 NBR 902	BAUX2	478442	●
15	30	7	AS	smooth	0,02	72 NBR 902	BAFUDSL	12011109	●
15	30	8	AS	smooth	0,05	72 NBR 902	BASL	6764	●
15	30	10	A	smooth	0,05	72 NBR 902	BAU	7592	●
15	32	7	A	smooth	0,02	72 NBR 902	BAFUD	49001626	●
15	32	10	A	smooth	0,05	72 NBR 902	BAU	6780	●
15	35	7	A	smooth	0,05	72 NBR 902	BAU	6784	●
15	35	7	A	grooved	0,02	72 NBR 902	BAFUDX7	355422	●
15	35	7	AS	smooth	0,05	72 NBR 902	BAUSLX2	49016894	●
15	35	7	A	smooth	0,05	72 NBR 902	BAUX2	49032758	●
15	35	8	A	smooth	0,05	72 NBR 902	BA	7595	●
15	35	10	A	smooth	0,05	72 NBR 902	BA	6795	●
15	35	10	AS	smooth	0,05	72 NBR 902	BASL	6796	●
15	37	10	A	smooth	0,05	72 NBR 902	BAU	459238	○
15	40	7	A	smooth	0,05	72 NBR 902	BAUX2	522178	●
15	40	10	A	smooth	0,05	72 NBR 902	BA	6802	●
15	42	7	A	grooved	0,05	72 NBR 902	BAUX27	451922	●
15	42	10	A	smooth	0,05	72 NBR 902	BAU	6805	●
16	24	4	A	smooth	0,02	72 NBR 902	BAFUD	12010799	●
16	24	5	A	smooth	0,02	72 NBR 902	BAFUD	12010800	●
16	24	7	A	smooth	0,02	72 NBR 902	BAFUD	12010801	●
16	26	7	A	smooth	0,05	72 NBR 902	BA	33708	●
16	26	7	A	smooth	0,05	72 NBR 902	BA	49002635	○

● Available from stock ○ On request: Tool is available, delivery at short notice

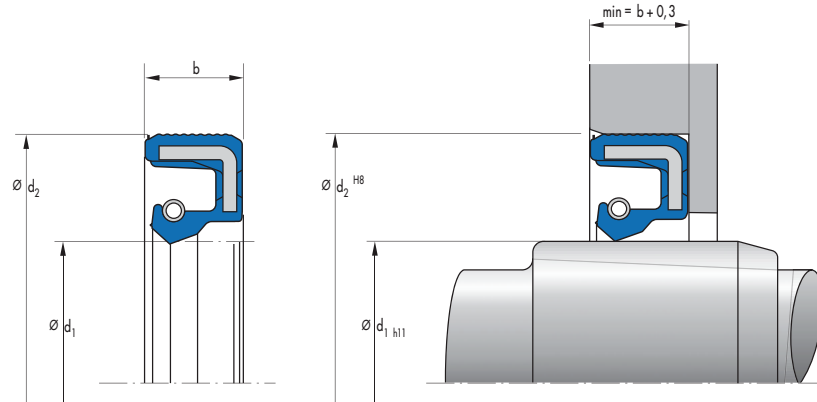


d ₁	d ₂	b	DIN 3761	Outer surface	Pressure	Material	Type	Article No.	
16	28	7	AS	grooved	0,02	72 NBR 902	BAFUDSLX7	335565	●
16	28	7	A	smooth	0,02	72 NBR 902	BAFUD	49001630	●
16	28	7	AS	smooth	0,05	72 NBR 902	BAUSLX2	49013602	●
16	30	7	A	smooth	0,05	72 NBR 902	BAU	6829	●
16	30	10	A	smooth	0,05	72 NBR 902	BAU	6839	●
16	32	7	A	smooth	0,05	72 NBR 902	BA	13972	○
16	32	7	A	smooth	0,05	72 NBR 902	BAUX2	525282	●
16	32	10	A	smooth	0,05	72 NBR 902	BAU	6845	●
16	35	7	A	smooth	0,05	72 NBR 902	BA	2746	●
16	35	9	AS	smooth	0,05	72 NBR 902	BASL	6847	○
16	35	10	A	smooth	0,05	72 NBR 902	BA	6851	●
16	40	10	A	smooth	0,05	72 NBR 902	BAU	6857	●
16	47	7	A	grooved	0,05	72 NBR 902	BAUX27	451923	●
17	25	4	A	smooth	0,02	72 NBR 902	BAFUD	12010806	●
17	26	6	A	smooth	0,05	72 NBR 902	BA	7616	●
17	28	6	A	smooth	0,02	72 NBR 902	BAFUD	532597	●
17	28	7	A	smooth	0,05	72 NBR 902	BA	6870	○
17	28	7	AS	smooth	0,05	72 NBR 902	BAUSLX2	49001668	●
17	28	7	A	smooth	0,05	72 NBR 902	BAUX2	49023151	●
17	30	7	AS	smooth	0,05	72 NBR 902	BASL	6878	●
17	30	7	AS	smooth	0,05	72 NBR 902	BASL	384327	○
17	30	7	A	smooth	0,05	72 NBR 902	BAUX2	507567	●
17	32	7	AS	smooth	0,05	72 NBR 902	BASL	2184	●
17	32	7	A	grooved	0,02	72 NBR 902	BAFUDX7	355628	●
17	32	10	A	smooth	0,05	72 NBR 902	BA	6884	●
17	33	9	AS	smooth	0,05	72 NBR 902	BASL	31254	●
17	35	7	A	smooth	0,05	72 NBR 902	BAUX2	478759	●
17	35	7	AS	smooth	0,05	72 NBR 902	BAUSLX2	524144	●
17	35	8	A	smooth	0,05	72 NBR 902	BAU	6893	○
17	35	10	AS	smooth	0,05	72 NBR 902	BASL	6898	●
17	35	10	A	smooth	0,05	72 NBR 902	BA	6899	●
17	37	7	A	smooth	0,05	72 NBR 902	BA	6904	●
17	37	7	AS	smooth	0,05	72 NBR 902	BASL	392791	●
17	40	7	A	smooth	0,05	72 NBR 902	BAUX2	478443	●
17	40	7	AS	smooth	0,05	72 NBR 902	BAUSLX2	524509	●
17	40	8,5	A	smooth	0,02	72 NBR 902	BAFUD	12010814	●

● Available from stock ○ On request: Tool is available, delivery at short notice

d ₁	d ₂	b	DIN 3761	Outer surface	Pressure	Material	Type	Article No.	
17	40	10	A	smooth	0,05	72 NBR 902	BAU	7653	●
17	47	7	A	grooved	0,02	72 NBR 902	BAUX7	356743	●
17	47	10	A	smooth	0,05	72 NBR 902	BAU	6924	●
17,5	28	6	A	smooth	0,02	72 NBR 902	BAFUD	12000066	●
18	28	7	A	smooth	0,05	72 NBR 902	BA	128888	○
18	28	7	A	grooved	0,02	72 NBR 902	BAFUDX7	355487	●
18	30	7	A	smooth	0,05	72 NBR 902	BA	7664	●
18	30	7	AS	grooved	0,02	72 NBR 902	BAFUDSLX7	334286	●
18	32	7	A	smooth	0,05	72 NBR 902	BAU	2751	●
18	32	8	AS	smooth	0,05	72 NBR 902	BASL	6959	●
18	35	7	A	smooth	0,05	72 NBR 902	BA	2752	●
18	35	7	AS	grooved	0,05	72 NBR 902	BAUSLX27	451667	●
18	35	8	A	smooth	0,05	72 NBR 902	BA	6967	●
18	35	10	A	smooth	0,05	72 NBR 902	BAUSL	6978	●
18	35	10	A	smooth	0,05	72 NBR 902	BA	6979	●
18	35	10	A	smooth	0,05	72 NBR 902	BA	6980	○
18	37	10	A	smooth	0,05	72 NBR 902	BA	6984	●
18	40	7	A	smooth	0,05	72 NBR 902	BA	9588	●
18	40	10	A	smooth	0,05	72 NBR 902	BA	6989	●
18	47	10	AS	smooth	0,05	72 NBR 902	BAUSLX2	520530	●
19	27	6	A	smooth	0,05	72 NBR 902	BAU	6994	●
19	30	7	A	grooved	0,02	72 NBR 902	BAFUDX7	355620	●
19	32	7	A	smooth	0,05	72 NBR 902	BAU	49002842	●
19	35	9	AS	smooth	0,05	72 NBR 902	BASL	7003	●
19	35	10	A	smooth	0,05	72 NBR 902	BA	7008	●
19	40	10	A	smooth	0,05	72 NBR 902	BA	7015	●
19,05	31,75	6,35	A	smooth	0,05	72 NBR 902	BA	7022	●
20	28	6	A	smooth	0,02	72 NBR 902	BAFUD	532598	●
20	30	5	A	smooth	0,05	72 NBR 902	BAUX2	524143	●
20	30	5	A	smooth	0,05	72 NBR 902	BAUX2	49033332	●
20	30	7	A	smooth	0,05	72 NBR 902	BAUX2	478758	●
20	30	7	AS	smooth	0,05	72 NBR 902	BAUSLX2	524648	●
20	32	7	AS	grooved	0,02	72 NBR 902	BAFUDSLX7	334813	●
20	32	7	A	smooth	0,02	72 NBR 902	BAFUD	532599	●
20	33	10	A	smooth	0,05	72 NBR 902	BAU	7071	●
20	35	6	A	grooved	0,02	72 NBR 902	BAFUDX7	334287	●
20	35	7	A	smooth	0,05	72 NBR 902	BAUX2	478761	●
20	35	7	AS	smooth	0,05	72 NBR 902	BAUSLX2	478764	●
20	35	8	A	smooth	0,05	72 NBR 902	BAU	7081	●
20	35	10	A	smooth	0,05	72 NBR 902	BAUSL	7095	●
20	35	10	A	smooth	0,05	72 NBR 902	BAUX2	49018325	●
20	36	7	A	smooth	0,05	72 NBR 902	BAUX2	49007343	●
20	37	10	A	smooth	0,05	72 NBR 902	BAU	7110	●
20	38	8	A	smooth	0,05	72 NBR 902	BA	7112	●
20	40	6	A	smooth	0,05	72 NBR 902	BA	7714	●
20	40	7	A	smooth	0,05	72 NBR 902	BA	7718	○
20	40	7	AS	smooth	0,05	72 NBR 902	BASL	7721	●
20	40	7	A	grooved	0,02	72 NBR 902	BAFUDX7	344888	●
20	40	7	A	smooth	0,05	72 NBR 902	BAUX2	529398	●
20	40	8	A	smooth	0,05	72 NBR 902	BA	7124	●

● Available from stock ○ On request: Tool is available, delivery at short notice

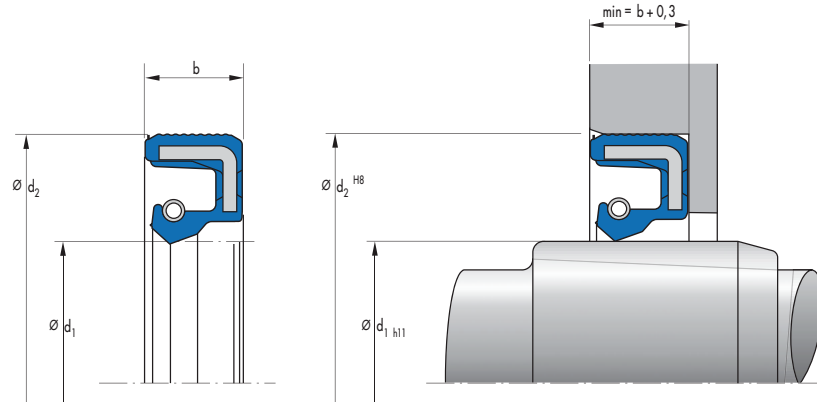


d_1	d_2	b	DIN 3761	Outer surface	Pressure	Material	Type	Article No.	
20	40	10	A	smooth	0,05	72 NBR 902	BAU	7136	●
20	40	10	A	smooth	0,05	72 NBR 902	BA	11604	●
20	42	7	A	smooth	0,05	72 NBR 902	BAUX2	521667	●
20	42	7	AS	smooth	0,05	72 NBR 902	BAUSLX2	49004094	●
20	42	10	A	smooth	0,05	72 NBR 902	BA	7723	●
20	47	7	A	smooth	0,05	72 NBR 902	BAUX2	526946	●
20	47	7	AS	smooth	0,02	72 NBR 902	BAFUDSL	12011119	●
20	47	10	A	smooth	0,05	72 NBR 902	BAU	7724	●
20	52	8	AS	smooth	0,05	72 NBR 902	BAUSLX2	526094	●
20	52	10	A	smooth	0,05	72 NBR 902	BAUX2	478760	●
21	32	7	A	smooth	0,05	72 NBR 902	BAU	7194	●
21	32	7	A	smooth	0,05	72 NBR 902	BAUX2	49034522	●
21	35	8	A	smooth	0,05	72 NBR 902	BA	7197	●
21	40	10	A	smooth	0,05	72 NBR 902	BAU	7209	●
22	32	7	A	smooth	0,05	72 NBR 902	BA	7217	●
22	32	7	AS	smooth	0,05	72 NBR 902	BASL	7530	●
22	32	7	A	smooth	0,02	72 NBR 902	BAFUD	49001651	●
22	33	7	A	smooth	0,05	72 NBR 902	BAU	8976	●
22	35	6,5	A	smooth	0,05	72 NBR 902	BAU	7230	●
22	35	7	AS	grooved	0,02	72 NBR 902	BAFUDSLX7	346137	●
22	35	7	A	smooth	0,05	72 NBR 902	BAUX2	49001670	●
22	35	8	A	smooth	0,05	72 NBR 902	BA	7727	●
22	35	10	A	smooth	0,05	72 NBR 902	BAU	7238	●
22	37	7	A	smooth	0,05	72 NBR 902	BA	7243	●
22	38	8	A	smooth	0,05	72 NBR 902	BA	7249	●
22	40	7	AS	smooth	0,05	72 NBR 902	BAUSLX2	478610	●
22	40	7	A	smooth	0,05	72 NBR 902	BAUX2	478757	●
22	40	7	A	smooth	0,02	72 NBR 902	BAFUD	12011120	●
22	40	8	A	smooth	0,05	72 NBR 902	BAU	7252	●
22	40	9	AS	smooth	0,05	72 NBR 902	BASL	7254	○
22	40	10	A	smooth	0,05	72 NBR 902	BAU	7259	●
22	42	10	A	smooth	0,05	72 NBR 902	BAU	7269	●
22	45	7	A	smooth	0,05	72 NBR 902	BAU	7273	●
22	47	7	A	smooth	0,05	72 NBR 902	BAUX2	524511	●
22	47	7	AS	smooth	0,05	72 NBR 902	BAUSLX2	526318	●
22	47	10	A	smooth	0,05	72 NBR 902	BAU	7282	●

● Available from stock ○ On request: Tool is available, delivery at short notice

d ₁	d ₂	b	DIN 3761	Outer surface	Pressure	Material	Type	Article No.	
22	62	10	AS	smooth	0,05	72 NBR 902	BAUSLX2	520529	●
23	40	8	A	smooth	0,05	72 NBR 902	BAU	7301	●
23	40	8	AS	grooved	0,02	72 NBR 902	BAFUDSLX7	397856	○
23	40	10	A	grooved	0,02	72 NBR 902	BAFUDX7	334797	●
23	42	10	A	smooth	0,05	72 NBR 902	BAU	339040	●
23	47	10	A	smooth	0,05	72 NBR 902	BA	7311	●
24	35	7	A	smooth	0,05	72 NBR 902	BAU	523554	●
24	36	7	AS	smooth	0,05	72 NBR 902	BASL	7325	●
24	36	9	A	smooth	0,05	72 NBR 902	BAU	7329	●
24	37	7	A	smooth	0,05	72 NBR 902	BAU	7331	●
24	40	7	A	smooth	0,05	72 NBR 902	BA	37887	●
24	40	10	A	smooth	0,05	72 NBR 902	BAU	7337	●
24	42	10	A	smooth	0,05	72 NBR 902	BA	7340	●
24	47	7	A	smooth	0,05	72 NBR 902	BA	13989	●
24	47	10	A	smooth	0,05	72 NBR 902	BAUX2	533292	●
24	50	10	A	smooth	0,05	72 NBR 902	BAU	7350	●
24	62	10	A	grooved	0,05	72 NBR 902	BAUX27	451668	●
25	33	6	A	smooth	0,05	72 NBR 902	BA	347393	○
25	33	6	A	smooth	0,02	72 NBR 902	BAFUD	532600	●
25	35	7	AS	smooth	0,05	72 NBR 902	BAUSLX2	478777	●
25	35	7	A	smooth	0,05	72 NBR 902	BAUX2	49001662	●
25	35	7	A	smooth	0,05	72 NBR 902	BAUX2	49010730	○
25	35	8	A	smooth	0,05	72 NBR 902	BAU	7374	●
25	36	7	A	smooth	0,05	72 NBR 902	BA	7380	●
25	37	5	A	smooth	0,02	72 NBR 902	BAFUD	12010847	●
25	37	7	A	smooth	0,05	72 NBR 902	BA	317308	○
25	37	7	A	smooth	0,05	72 NBR 902	BAUX2	49028651	●
25	38	7	A	smooth	0,05	72 NBR 902	BA	7389	●
25	40	5	A	grooved	0,02	72 NBR 902	BAFUDX27	355425	●
25	40	7	A	smooth	0,05	72 NBR 902	BAU	324743	●
25	40	7	AS	smooth	0,05	72 NBR 902	BAUSLX2	524142	●
25	40	7	A	smooth	0,05	72 NBR 902	BAUX2	529328	●
25	40	8	AS	smooth	0,05	72 NBR 902	BAUSLX2	49017913	●
25	40	9	A	smooth	0,05	72 NBR 902	BAUSL	7413	●
25	40	10	A	grooved	0,02	72 NBR 902	BAFUDX7	334805	●
25	42	6	AS	smooth	0,05	72 NBR 902	BAUSLX2	522901	●
25	42	6	A	smooth	0,02	72 NBR 902	BAFUD	12010853	●
25	42	7	A	smooth	0,05	72 NBR 902	BAU	112421	○
25	42	7	A	smooth	0,05	72 NBR 902	BAUX2	478756	●
25	42	7	AS	smooth	0,05	72 NBR 902	BAUSLX2	478776	●
25	42	10	A	smooth	0,05	72 NBR 902	BA	7426	●
25	42	10	A	grooved	0,02	72 NBR 902	BAFUDX7	334806	●
25	42,9	9,5	A	smooth	0,05	72 NBR 902	BA	7746	●
25	43	10	A	smooth	0,05	72 NBR 902	BA	7438	●
25	45	10	A	smooth	0,05	72 NBR 902	BA	7446	●
25	45	10	A	smooth	0,05	72 NBR 902	BAUSL	7755	●
25	46	7	A	smooth	0,05	72 NBR 902	BAU	7457	●
25	47	7	A	grooved	0,02	72 NBR 902	BAFUDX7	466318	○
25	47	7	A	smooth	0,05	72 NBR 902	BAUX2	478755	●
25	47	7	AS	smooth	0,05	72 NBR 902	BAUSLX2	478790	●

● Available from stock ○ On request: Tool is available, delivery at short notice

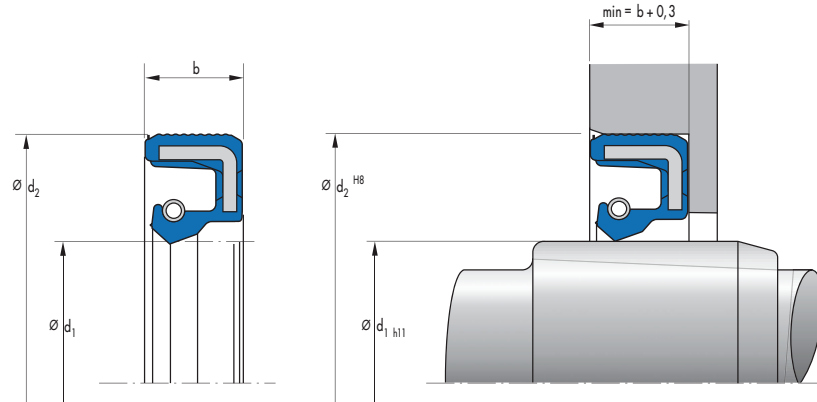


d_1	d_2	b	DIN 3761	Outer surface	Pressure	Material	Type	Article No.	
25	47	7	AS	smooth	0,02	72 NBR 902	BAFUDSL	12011125	●
25	47	8	A	smooth	0,05	72 NBR 902	BA	7460	●
25	47	10	A	smooth	0,05	72 NBR 902	BA	7467	●
25	47	10	A	grooved	0,02	72 NBR 902	BAFUDX7	355411	●
25	50	10	A	smooth	0,05	72 NBR 902	BA	7483	●
25	52	7	AS	smooth	0,05	72 NBR 902	BAUSLX2	524698	●
25	52	7	A	smooth	0,02	72 NBR 902	BAFUD	532617	●
25	52	8	A	smooth	0,05	72 NBR 902	BA	7488	●
25	52	10	A	grooved	0,02	72 NBR 902	BAFUDX7	334818	●
25	52	10	A	smooth	0,05	72 NBR 902	BAU	523415	●
25	62	7	AS	grooved	0,05	72 NBR 902	BAUSLX27	451924	●
25	62	10	A	smooth	0,05	72 NBR 902	BAU	7503	●
25	62	10	A	grooved	0,02	72 NBR 902	BAFUDX7	423372	●
26	35	7	AS	smooth	0,02	72 NBR 902	BAFUDSL	12000470	●
26	36	7	A	smooth	0,05	72 NBR 902	BAU	7520	●
26	37	7	A	smooth	0,05	72 NBR 902	BAUSL	3402	●
26	37	7	A	smooth	0,05	72 NBR 902	BAU	7525	●
26	42	7	A	grooved	0,02	72 NBR 902	BAFUDX7	355636	●
26	42	7	AS	smooth	0,02	72 NBR 902	BAFUDSL	12011128	●
26	42	10	A	smooth	0,05	72 NBR 902	BA	7535	●
26	42	10	AS	smooth	0,05	72 NBR 902	BASL	308072	●
26	47	7	A	smooth	0,05	72 NBR 902	BAU	9567	●
26	47	10	A	smooth	0,05	72 NBR 902	BAU	7540	●
26	50	10	A	smooth	0,05	72 NBR 902	BA	7546	●
26	52	8	A	smooth	0,02	72 NBR 902	BAFUD	12010869	●
26	52	10	A	smooth	0,05	72 NBR 902	BAU	7549	●
27	37	7	A	smooth	0,05	72 NBR 902	BAU	39052	●
27	41	10	A	smooth	0,05	72 NBR 902	BA	7558	●
27	42	10	A	smooth	0,02	72 NBR 902	BAFUD	12010871	●
27	47	6	A	smooth	0,05	72 NBR 902	BA	12010872	●
27	47	7	A	smooth	0,05	72 NBR 902	BA	7564	●
27	47	10	A	smooth	0,05	72 NBR 902	BA	7567	●
27	52	8	A	smooth	0,05	72 NBR 902	BA	7573	●
27	52	10	A	smooth	0,05	72 NBR 902	BA	7576	●
28	36	8	A	grooved	0,02	72 NBR 902	BAFUDX7	520461	●
28	38	7	A	smooth	0,05	72 NBR 902	BAU	7582	●

● Available from stock ○ On request: Tool is available, delivery at short notice

d ₁	d ₂	b	DIN 3761	Outer surface	Pressure	Material	Type	Article No.	
28	40	7	AS	smooth	0,05	72 NBR 902	BASL	7771	●
28	40	7	A	grooved	0,02	72 NBR 902	BAFUDX7	355391	●
28	42	8	A	smooth	0,05	72 NBR 902	BA	7601	●
28	42	8	AS	grooved	0,05	72 NBR 902	BAUSLX27	451925	●
28	42	10	AS	smooth	0,05	72 NBR 902	BASL	7603	●
28	42,5	8	A	smooth	0,05	72 NBR 902	BA	7605	●
28	42,9	9,5	A	smooth	0,05	72 NBR 902	BA	7608	●
28	43	10	A	smooth	0,05	72 NBR 902	BA	7611	●
28	45	7,5	A	grooved	0,02	72 NBR 902	BAFUDX7	520462	●
28	47	5	A	smooth	0,05	72 NBR 902	BA	7613	●
28	47	7	A	smooth	0,05	72 NBR 902	BAUX2	478466	●
28	47	7	AS	smooth	0,02	72 NBR 902	BAFUDSL	12011130	●
28	47	7	AS	smooth	0,05	72 NBR 902	BAUSLX2	49037522	●
28	47	9	AS	smooth	0,05	72 NBR 902	BASL	7618	●
28	47	10	A	smooth	0,05	72 NBR 902	BAU	7623	●
28	50	10	A	smooth	0,05	72 NBR 902	BAU	7631	●
28	52	7	A	smooth	0,05	72 NBR 902	BAU	13990	●
28	52	7	AS	grooved	0,05	72 NBR 902	BAUSLX27	451926	●
28	52	10	A	smooth	0,05	72 NBR 902	BAU	7639	●
28	52	10	AS	smooth	0,02	72 NBR 902	BAFUDSL	532618	●
28	52	10	AS	smooth	0,05	72 NBR 902	BAUSLX2	49037521	●
28	55	9	A	smooth	0,05	72 NBR 902	BA	7645	●
28	72	10	A	grooved	0,05	72 NBR 902	BAUX27	451927	●
29	42,9	9,5	A	smooth	0,05	72 NBR 902	BA	7650	●
29	43	7	A	smooth	0,05	72 NBR 902	BAU	7652	●
30	40	7	A	smooth	0,05	72 NBR 902	BAUX2	520216	●
30	40	7	AS	smooth	0,05	72 NBR 902	BAUSLX2	529402	●
30	40	8	AS	grooved	0,02	72 NBR 902	BAFUDSLX7	334820	●
30	42	5,7	A	smooth	0,05	72 NBR 902	BAUX2	478056	●
30	42	5,7	AS	smooth	0,05	72 NBR 902	BAUSLX2	478769	●
30	42	7	A	grooved	0,02	72 NBR 902	BAFUDX7	355384	●
30	42	7	A	smooth	0,05	72 NBR 902	BAUX2	524506	●
30	42	7	AS	smooth	0,05	72 NBR 902	BAUSLX2	529400	●
30	42	7	A	smooth	0,05	72 NBR 902	BAUX2	49001666	●
30	42	8	AS	smooth	0,05	72 NBR 902	BAUSLX2	49004319	●
30	45	7	A	smooth	0,05	72 NBR 902	BAU	7685	●
30	45	8	A	smooth	0,05	72 NBR 902	BAU	7686	●
30	45	8	AS	smooth	0,02	72 NBR 902	BAFUDSL	12012582	●
30	45	9,5	A	smooth	0,05	72 NBR 902	BAU	7695	●
30	45	10	A	smooth	0,05	72 NBR 902	BAU	7700	●
30	45	13	A	smooth	0,05	72 NBR 902	BAUSL	30497	●
30	47	6	A	smooth	0,05	72 NBR 902	BAUX2	528822	●
30	47	7	A	smooth	0,05	72 NBR 902	BAU	328283	○
30	47	7	A	smooth	0,05	72 NBR 902	BAUX2	478441	●
30	47	7	A	smooth	0,05	72 NBR 902	BAUX2	531158	○
30	47	7	AS	smooth	0,02	72 NBR 902	BAFUDSL	12000480	○
30	47	7	AS	smooth	0,05	72 NBR 902	BAUSLX2	49001669	●
30	47	8	A	smooth	0,05	72 NBR 902	BAU	7708	●
30	47	8	AS	grooved	0,02	72 NBR 902	BAFUDSLX7	532619	●
30	47	10	A	smooth	0,05	72 NBR 902	BAU	7716	○

● Available from stock ○ On request: Tool is available, delivery at short notice

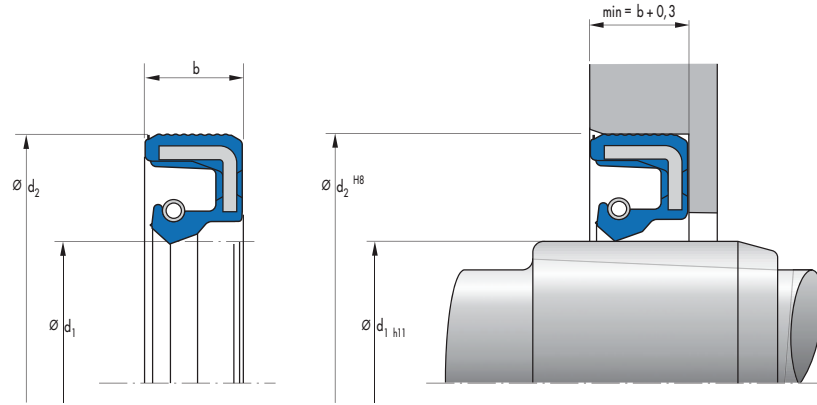


d ₁	d ₂	b	DIN 3761	Outer surface	Pressure	Material	Type	Article No.	
30	47	10	A	grooved	0,02	72 NBR 902	BAFUDX7	355392	●
30	48	8	A	grooved	0,02	72 NBR 902	BAFUDX7	335179	●
30	48	10	A	smooth	0,05	72 NBR 902	BA	7729	●
30	50	7	A	smooth	0,02	72 NBR 902	BAFUD	532620	●
30	50	8	A	smooth	0,02	72 NBR 902	BAFUD	12010884	●
30	50	10	A	smooth	0,05	72 NBR 902	BA	7741	●
30	50	10	A	smooth	0,05	72 NBR 902	BAU	7742	●
30	50	10	AS	grooved	0,02	72 NBR 902	BAFUDSLX7	335184	●
30	52	6	AS	smooth	0,05	72 NBR 902	BAUSLX2	522129	●
30	52	7	AS	smooth	0,05	72 NBR 902	BAUSLX2	524704	●
30	52	7	A	smooth	0,05	72 NBR 902	BAUX2	529401	●
30	52	8	A	smooth	0,05	72 NBR 902	BAU	31709	●
30	52	10	A	grooved	0,02	72 NBR 902	BAFUDX7	334293	●
30	52	10	AS	smooth	0,05	72 NBR 902	BAUSLX2	526319	●
30	52	12	A	smooth	0,05	72 NBR 902	BA	7758	●
30	55	7	AS	smooth	0,05	72 NBR 902	BAUSLX2	478774	●
30	55	7	A	smooth	0,05	72 NBR 902	BAUX2	529837	●
30	55	10	A	smooth	0,05	72 NBR 902	BAUSL	7767	●
30	55	10	A	grooved	0,02	72 NBR 902	BAFUDX7	334232	●
30	55	10	A	smooth	0,05	72 NBR 902	BAUX2	531106	●
30	56	10	A	smooth	0,05	72 NBR 902	BAU	7772	●
30	60	10	A	smooth	0,05	72 NBR 902	BA	7775	●
30	62	7	AS	grooved	0,05	72 NBR 902	BAUSLX7	478773	●
30	62	7	A	smooth	0,05	72 NBR 902	BAUX2	524703	●
30	62	10	A	grooved	0,02	72 NBR 902	BAFUDX7	334294	●
30	62	12	A	smooth	0,05	72 NBR 902	BAU	7783	●
30	72	10	A	smooth	0,05	72 NBR 902	BA	7788	○
30	72	10	A	smooth	0,02	72 NBR 902	BAFUD	523408	●
30	72	10	AS	smooth	0,05	72 NBR 902	BAUSLX2	524141	●
30	72	10	A	smooth	0,05	72 NBR 902	BAUX2	49009357	●
31	42	8	A	grooved	0,02	72 NBR 902	BAFUDX7	520468	●
31	52	7	A	smooth	0,02	72 NBR 902	BAFUD	523556	●
31	52	9,5	A	smooth	0,05	72 NBR 902	BAUX2	475754	○
32	42	7	A	smooth	0,02	72 NBR 902	BAFUD	12010894	●
32	45	6	A	smooth	0,05	72 NBR 902	BA	7798	●
32	45	7	A	grooved	0,02	72 NBR 902	BAFUDX7	334305	●

● Available from stock ○ On request: Tool is available, delivery at short notice

d ₁	d ₂	b	DIN 3761	Outer surface	Pressure	Material	Type	Article No.	
32	45	7	AS	smooth	0,02	72 NBR 902	BAFUDSL	523419	●
32	45	7	A	smooth	0,05	72 NBR 902	BAUX2	49032838	●
32	47	7	A	smooth	0,05	72 NBR 902	BAUX2	49017474	●
32	47	10	A	smooth	0,05	72 NBR 902	BAU	7811	●
32	48	8	A	smooth	0,05	72 NBR 902	BA	7815	●
32	48	8	A	smooth	0,05	72 NBR 902	BA	343302	○
32	50	8	A	smooth	0,05	72 NBR 902	BAU	32679	●
32	50	10	A	smooth	0,05	72 NBR 902	BA	7821	●
32	50	10	A	smooth	0,05	72 NBR 902	BAUSL	7822	●
32	52	5	A	smooth	0,02	72 NBR 902	BAFUD	12010897	●
32	52	7	A	smooth	0,05	72 NBR 902	BAUSL	414644	●
32	52	7	A	smooth	0,05	72 NBR 902	BAUX2	524454	●
32	52	7	AS	smooth	0,05	72 NBR 902	BAUSLX2	49035052	●
32	52	10	A	smooth	0,05	72 NBR 902	BA	7833	●
32	52	10	AS	smooth	0,02	72 NBR 902	BAFUDSL	12015221	●
32	55	10	A	smooth	0,05	72 NBR 902	BA	7838	●
32	56	10	A	smooth	0,05	72 NBR 902	BAUSL	7842	●
32	56	10	A	smooth	0,02	72 NBR 902	BAFUD	12000162	●
32	62	7	A	smooth	0,05	72 NBR 902	BA	371152	●
32	62	10	A	smooth	0,05	72 NBR 902	BA	7850	●
32	62	10	AS	grooved	0,05	72 NBR 902	BAUSLX27	451928	●
32	80	12	AS	smooth	0,05	72 NBR 902	BAUSLX2	520528	●
33	45	7	A	smooth	0,05	72 NBR 902	BAU	7856	●
33	45	7	AS	grooved	0,02	72 NBR 902	BAFUDSLX7	397855	○
33	50	6	AS	smooth	0,02	72 NBR 902	BAFUDSL	12011140	●
33	50	8	A	smooth	0,05	72 NBR 902	BA	7862	●
33	50	10	AS	smooth	0,02	72 NBR 902	BAFUDSL	12011141	○
33	52	6	A	smooth	0,02	72 NBR 902	BAFUD	12010900	●
33	52	10	A	smooth	0,05	72 NBR 902	BA	7875	●
34	46	8	A	smooth	0,05	72 NBR 902	BA	49002841	●
34	50	10	A	smooth	0,05	72 NBR 902	BA	7920	●
34	52	7	AS	smooth	0,05	72 NBR 902	BAUSLX2	520466	●
34	52	7	A	smooth	0,05	72 NBR 902	BAUX2	521284	●
34	52	8	A	smooth	0,05	72 NBR 902	BAU	7921	●
34	52	10	A	smooth	0,05	72 NBR 902	BAU	7926	●
34	52	10	AS	smooth	0,02	72 NBR 902	BAFUDSL	12011142	●
34	62	10	A	smooth	0,05	72 NBR 902	BA	7931	●
35	45	7	A	smooth	0,05	72 NBR 902	BA	143444	●
35	47	4,5	AS	smooth	0,05	72 NBR 902	BAUSLX2	478057	●
35	47	4,5	A	smooth	0,05	72 NBR 902	BAUX2	478767	●
35	47	7	A	smooth	0,05	72 NBR 902	BAUX2	478754	●
35	47	7	AS	smooth	0,05	72 NBR 902	BAUSLX2	478775	●
35	49,3	9,5	A	smooth	0,05	72 NBR 902	BA	7970	●
35	50	7	A	grooved	0,02	72 NBR 902	BAFUDX7	355627	●
35	50	8	AS	smooth	0,05	72 NBR 902	BAUSLX2	49023892	●
35	50	10	A	smooth	0,05	72 NBR 902	BAU	7976	●
35	52	7	A	smooth	0,05	72 NBR 902	BAUX2	478467	●
35	52	7	AS	smooth	0,05	72 NBR 902	BAUSLX2	526079	●
35	52	7	AS	smooth	0,05	72 NBR 902	BAUSLX2	529399	○
35	52	10	A	smooth	0,05	72 NBR 902	BAU	307255	○

● Available from stock ○ On request: Tool is available, delivery at short notice

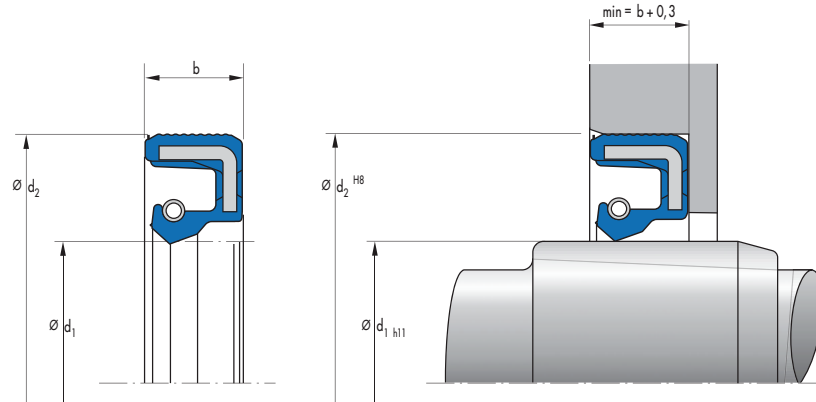


d_1	d_2	b	DIN 3761	Outer surface	Pressure	Material	Type	Article No.	
35	52	10	A	grooved	0,02	72 NBR 902	BAFUDX7	334307	●
35	52	10	AS	grooved	0,05	72 NBR 902	BAUSLX27	451929	●
35	52	10	A	smooth	0,05	72 NBR 902	BA	523557	●
35	52	10	AS	smooth	0,05	72 NBR 902	BAUSLX2	49036047	●
35	55	8	A	grooved	0,02	72 NBR 902	BAFUDX7	355625	●
35	55	10	A	smooth	0,05	72 NBR 902	BAU	8008	●
35	55	10	A	smooth	0,05	72 NBR 902	BAUSL	301731	○
35	55	11	AS	smooth	0,02	72 NBR 902	BAFUDSL	12011146	●
35	56	8	A	smooth	0,02	72 NBR 902	BAFUD	523407	●
35	56	10	A	smooth	0,05	72 NBR 902	BAU	8018	●
35	56	12	A	smooth	0,05	72 NBR 902	BA	8021	●
35	58	10	A	smooth	0,02	72 NBR 902	BAFUD	12010911	●
35	58	13	A	smooth	0,05	72 NBR 902	BA	8032	●
35	60	10	A	smooth	0,02	72 NBR 902	BAFUD	12010912	●
35	62	7	AS	smooth	0,05	72 NBR 902	BAUSLX2	521678	●
35	62	7	A	smooth	0,05	72 NBR 902	BAUX2	524700	●
35	62	8	AS	smooth	0,05	72 NBR 902	BAUSLX2	477145	●
35	62	10	A	smooth	0,05	72 NBR 902	BA	8049	●
35	62	10	A	grooved	0,02	72 NBR 902	BAFUDX7	355435	●
35	62	10	AS	grooved	0,05	72 NBR 902	BAUSLX27	49001657	●
35	62	12	A	smooth	0,05	72 NBR 902	BAUSL	8055	●
35	65	10	A	smooth	0,05	72 NBR 902	BA	8060	●
35	65	10	A	smooth	0,05	72 NBR 902	BAUSL	396063	●
35	68	10	AS	smooth	0,05	72 NBR 902	BAUSLX2	522766	●
35	72	7	A	grooved	0,02	72 NBR 902	BAFUDX7	407517	●
35	72	10	A	smooth	0,02	72 NBR 902	BAFUD	12010915	●
35	72	10	AS	smooth	0,02	72 NBR 902	BAFUDSL	12013421	●
35	72	10	A	smooth	0,05	72 NBR 902	BAUX2	49037523	●
35	72	10	AS	smooth	0,05	72 NBR 902	BAUSLX2	49037524	●
35	72	12	AS	smooth	0,05	72 NBR 902	BASL	35525	●
35	72	12	A	grooved	0,02	72 NBR 902	BAFUDX7	355478	●
35	80	10	AS	smooth	0,02	72 NBR 902	BAFUDSL	12000498	●
35	80	12	A	smooth	0,05	72 NBR 902	BAUX2	524507	●
36	47	7	A	smooth	0,05	72 NBR 902	BA	3441	●
36	50	7	A	grooved	0,02	72 NBR 902	BAFUDX7	355476	●
36	50	10	A	smooth	0,05	72 NBR 902	BA	8074	●

● Available from stock ○ On request: Tool is available, delivery at short notice

d ₁	d ₂	b	DIN 3761	Outer surface	Pressure	Material	Type	Article No.	
36	52	7	A	smooth	0,05	72 NBR 902	BAUX2	49009240	●
36	54	7	A	smooth	0,05	72 NBR 902	BAUX2	533282	●
36	56	10	A	smooth	0,05	72 NBR 902	BAU	8083	●
36	62	7	A	smooth	0,05	72 NBR 902	BA	18265	●
36	62	7	AS	grooved	0,02	72 NBR 902	BAFUDSLX7	12014769	●
36	68	10	AS	smooth	0,05	72 NBR 902	BAUSLX2	475374	●
37	52	8	A	smooth	0,05	72 NBR 902	BAU	8112	●
37	62	10	A	smooth	0,05	72 NBR 902	BA	8118	●
38	50	7	A	grooved	0,02	72 NBR 902	BAFUDX7	334309	●
38	52	7	AS	smooth	0,05	72 NBR 902	BAUSLX2	49002810	●
38	52	7	A	smooth	0,05	72 NBR 902	BAUX2	49008124	●
38	52	8	A	smooth	0,05	72 NBR 902	BAU	17193	●
38	52	10	A	smooth	0,05	72 NBR 902	BAU	8135	●
38	54	6,5	A	smooth	0,05	72 NBR 902	BA	8137	●
38	54	10	A	smooth	0,05	72 NBR 902	BA	8141	●
38	55	7	A	smooth	0,05	72 NBR 902	BA	49002526	●
38	55	10	A	smooth	0,05	72 NBR 902	BAU	8145	●
38	55	10	A	smooth	0,05	72 NBR 902	BA	356911	○
38	56	10	A	smooth	0,05	72 NBR 902	BA	8150	●
38	58	10	A	smooth	0,05	72 NBR 902	BA	8151	●
38	60	10	A	smooth	0,05	72 NBR 902	BAU	8153	●
38	62	7	A	smooth	0,05	72 NBR 902	BAU	13052	●
38	62	10	A	smooth	0,05	72 NBR 902	BAU	8156	●
38	62	12	A	smooth	0,05	72 NBR 902	BA	8162	●
38	65	10	A	smooth	0,05	72 NBR 902	BA	8165	●
38	65	10	A	smooth	0,05	72 NBR 902	BAUSL	325682	●
38	72	10	A	smooth	0,02	72 NBR 902	BAFUD	523550	●
38	72	12	A	smooth	0,05	72 NBR 902	BAU	302909	●
38	74	10	A	smooth	0,05	72 NBR 902	BAUSL	8167	●
38	80	12	A	smooth	0,05	72 NBR 902	BA	8169	●
38	90	12	A	grooved	0,05	72 NBR 902	BAUX27	453161	●
39	52	6,5	A	smooth	0,05	72 NBR 902	BA	8188	●
40	50	7	A	smooth	0,05	72 NBR 902	BAUX2	475178	●
40	52	6	A	grooved	0,02	72 NBR 902	BAFUDX7	334824	●
40	52	7	AS	smooth	0,05	72 NBR 902	BASL	8222	●
40	52	7	A	smooth	0,05	72 NBR 902	BAU	13255	○
40	52	7	A	grooved	0,02	72 NBR 902	BAFUDX7	355639	●
40	52	7	AS	smooth	0,05	72 NBR 902	BAUSLX2	525281	●
40	52	7	A	smooth	0,05	72 NBR 902	BAUX2	530339	○
40	52	7	A	smooth	0,05	72 NBR 902	BAUX2	49032729	●
40	52	8	A	smooth	0,05	72 NBR 902	BA	8226	●
40	55	7	A	smooth	0,05	72 NBR 902	BAUX2	478753	●
40	55	7	AS	smooth	0,05	72 NBR 902	BAUSLX2	524462	●
40	55	7	A	smooth	0,05	72 NBR 902	BAUX2	529478	○
40	55	8	A	grooved	0,02	72 NBR 902	BAFUDX7	423373	●
40	55	8	AS	smooth	0,05	72 NBR 902	BAUSLX2	529404	●
40	55	10	A	smooth	0,05	72 NBR 902	BAU	8234	●
40	55	10	AS	smooth	0,05	72 NBR 902	BASL	8235	●
40	55	12	A	smooth	0,05	72 NBR 902	BA	8239	●
40	56	8	A	smooth	0,02	72 NBR 902	BAFUD	12010933	●

● Available from stock ○ On request: Tool is available, delivery at short notice

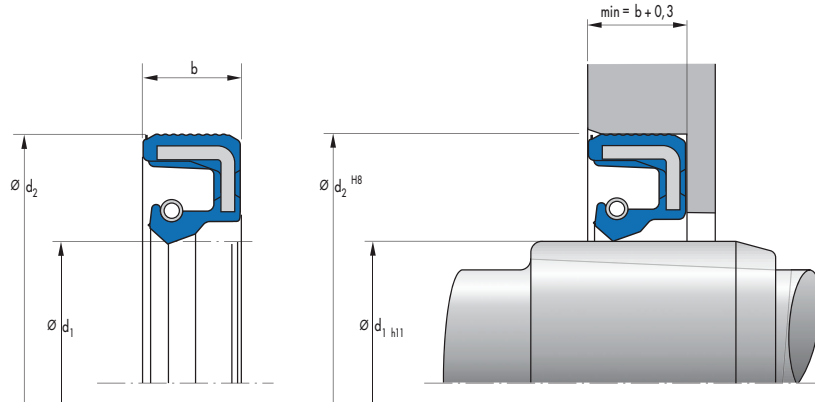


d_1	d_2	b	DIN 3761	Outer surface	Pressure	Material	Type	Article No.	
40	56	8	AS	smooth	0,02	72 NBR 902	BAFUDSL	12011577	●
40	56	10	A	smooth	0,05	72 NBR 902	BAU	8249	●
40	58	9	AS	grooved	0,02	72 NBR 902	BAFUDSLX7	355477	●
40	58	12	A	smooth	0,05	72 NBR 902	BAU	8254	●
40	60	10	A	grooved	0,02	72 NBR 902	BAFUDX7	334311	●
40	60	10	AS	smooth	0,05	72 NBR 902	BAUSLX2	49023925	●
40	62	7	A	smooth	0,05	72 NBR 902	BAUX2	478752	●
40	62	7	AS	smooth	0,05	72 NBR 902	BAUSLX2	478770	●
40	62	8	AS	smooth	0,05	72 NBR 902	BAUSLX2	477523	●
40	62	10	A	smooth	0,05	72 NBR 902	BA	8279	●
40	62	10	A	smooth	0,05	72 NBR 902	BAUX2	531174	●
40	62	10	AS	smooth	0,05	72 NBR 902	BAUSLX2	49023829	●
40	62	12	A	smooth	0,05	72 NBR 902	BAU	8286	●
40	65	10	AS	smooth	0,05	72 NBR 902	BASL	39765	●
40	65	10	A	grooved	0,02	72 NBR 902	BAFUDX7	355482	●
40	65	12	A	smooth	0,05	72 NBR 902	BA	8298	●
40	68	6	AS	smooth	0,05	72 NBR 902	BAUSLX2	529094	●
40	68	8	AS	smooth	0,05	72 NBR 902	BAUSLX2	49001661	●
40	68	8	A	smooth	0,05	72 NBR 902	BAUX2	49001672	●
40	68	8	AS	smooth	0,05	72 NBR 902	BAUSLX2	49029022	●
40	68	10	A	smooth	0,05	72 NBR 902	BAUX2	524498	●
40	70	8	A	smooth	0,05	72 NBR 902	BA	8304	●
40	70	10	A	smooth	0,05	72 NBR 902	BA	8307	●
40	72	7	AS	smooth	0,05	72 NBR 902	BAUSLX2	478772	●
40	72	7	A	smooth	0,02	72 NBR 902	BAFUD	49001652	●
40	72	7	A	smooth	0,05	72 NBR 902	BAUX2	49037526	●
40	72	10	A	smooth	0,05	72 NBR 902	BA	8310	●
40	72	10	AS	smooth	0,05	72 NBR 902	BAUSLX2	477144	●
40	72	12	A	smooth	0,05	72 NBR 902	BAU	8312	●
40	80	7	AS	smooth	0,05	72 NBR 902	BAUSLX2	49004252	●
40	80	10	A	grooved	0,02	72 NBR 902	BAFUDX7	355479	●
40	80	10	AS	smooth	0,05	72 NBR 902	BAUSLX2	455619	●
40	80	10	A	smooth	0,05	72 NBR 902	BAUX2	49037525	●
40	80	12	AS	smooth	0,02	72 NBR 902	BAFUDSL	12011162	●
40	80	13	A	smooth	0,05	72 NBR 902	BA	8318	○
40	85	10	A	smooth	0,05	72 NBR 902	BAUX2	523393	●

● Available from stock ○ On request: Tool is available, delivery at short notice

d ₁	d ₂	b	DIN 3761	Outer surface	Pressure	Material	Type	Article No.	
40	85	10	AS	smooth	0,05	72 NBR 902	BAUSLX2	523394	●
40	90	8	AS	smooth	0,02	72 NBR 902	BAFUDSL	12012533	●
40	90	10	A	grooved	0,02	72 NBR 902	BAFUDX7	407521	●
40	90	10	AS	smooth	0,05	72 NBR 902	BAUSLX2	520957	●
40	90	10	A	smooth	0,05	72 NBR 902	BAUX2	49037527	●
40	90	12	AS	grooved	0,02	72 NBR 902	BAFUDSLX7	407522	●
41	56	10	A	smooth	0,05	72 NBR 902	BA	153820	●
42	55	7	A	smooth	0,05	72 NBR 902	BAU	8342	●
42	55	7	A	smooth	0,05	72 NBR 902	BAUX2	49031451	●
42	55	8	AS	grooved	0,02	72 NBR 902	BAFUDSLX7	407523	●
42	55	8	A	smooth	0,05	72 NBR 902	BAUX2	530818	●
42	56	7	A	smooth	0,05	72 NBR 902	BAUSL	121799	●
42	56	7	A	grooved	0,02	72 NBR 902	BAFUDX7	334313	●
42	56	7	A	smooth	0,05	72 NBR 902	BAU	523558	●
42	60	10	A	smooth	0,05	72 NBR 902	BA	8356	●
42	62	8	A	smooth	0,05	72 NBR 902	BAUX2	478766	●
42	62	8	AS	smooth	0,02	72 NBR 902	BAFUDSL	12011163	●
42	62	10	A	smooth	0,05	72 NBR 902	BAU	8363	●
42	62	12	A	smooth	0,05	72 NBR 902	BA	8367	●
42	65	10	A	smooth	0,05	72 NBR 902	BA	8373	●
42	65	10	AS	grooved	0,02	72 NBR 902	BAFUDSLX7	466342	●
42	72	8	AS	smooth	0,05	72 NBR 902	BAUSLX2	475175	●
42	72	8	A	smooth	0,05	72 NBR 902	BAUX2	49001667	●
42	72	10	A	smooth	0,05	72 NBR 902	BAU	8381	●
42	72	10	AS	grooved	0,05	72 NBR 902	BAUSLX27	450733	●
43	60	10	A	smooth	0,05	72 NBR 902	BA	8393	●
44	58,4	10	A	smooth	0,05	72 NBR 902	BAU	347394	●
44	60	10	A	smooth	0,05	72 NBR 902	BAU	8406	●
44	62	10	A	smooth	0,05	72 NBR 902	BA	8408	●
44	65	10	A	smooth	0,05	72 NBR 902	BA	8414	●
44	72	10	A	smooth	0,05	72 NBR 902	BA	8420	●
44	80	13	A	smooth	0,05	72 NBR 902	BAU	146270	●
45	55	7	A	grooved	0,05	72 NBR 902	BAUX27	453162	●
45	55	7	AS	grooved	0,05	72 NBR 902	BAUSLX27	533201	●
45	55	7	A	smooth	0,05	72 NBR 902	BAUX2	49022656	●
45	58	7	A	smooth	0,05	72 NBR 902	BA	8442	●
45	58	7	AS	smooth	0,02	72 NBR 902	BAFUDSL	12013433	●
45	60	7	A	smooth	0,05	72 NBR 902	BA	8447	●
45	60	7	A	grooved	0,02	72 NBR 902	BAFUDX7	334830	○
45	60	7	AS	smooth	0,05	72 NBR 902	BAUSLX2	478771	●
45	60	7	A	grooved	0,02	72 NBR 902	BAFUDX7	532621	●
45	60	8	A	smooth	0,05	72 NBR 902	BAUX2	524652	●
45	60	8	AS	smooth	0,02	72 NBR 902	BAFUDSL	12011165	●
45	60	10	A	smooth	0,05	72 NBR 902	BAU	8454	●
45	62	7	A	grooved	0,02	72 NBR 902	BAFUDX7	334314	●
45	62	7	A	smooth	0,05	72 NBR 902	BAUX2	49028673	●
45	62	7,5	AS	smooth	0,05	72 NBR 902	BASL	8461	●
45	62	8	A	smooth	0,05	72 NBR 902	BAUX2	526947	●
45	62	8	AS	smooth	0,05	72 NBR 902	BAUSLX2	529403	●
45	62	10	A	smooth	0,05	72 NBR 902	BAUSL	8479	●

● Available from stock ○ On request: Tool is available, delivery at short notice

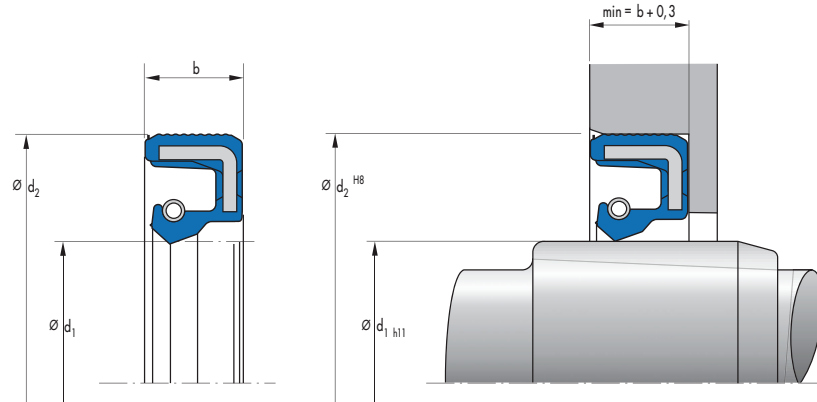


d ₁	d ₂	b	DIN 3761	Outer surface	Pressure	Material	Type	Article No.	
45	62	10	A	grooved	0,02	72 NBR 902	BAFUDX7	334295	●
45	62	12	A	smooth	0,05	72 NBR 902	BA	8483	●
45	65	8	A	smooth	0,02	72 NBR 902	BAFUD	532622	●
45	65	8	A	smooth	0,05	72 NBR 902	BAUX2	49037529	●
45	65	10	AS	grooved	0,02	72 NBR 902	BAFUDSLX7	334298	●
45	65	10	A	grooved	0,02	72 NBR 902	BAFUDX7	355409	●
45	65	10	A	smooth	0,05	72 NBR 902	BAU	366521	○
45	65	10	AS	grooved	0,02	72 NBR 902	BAFUDSLX7	394402	○
45	66	6	A	smooth	0,05	72 NBR 902	BA	31719	●
45	66	6	A	smooth	0,05	72 NBR 902	BA	49019342	●
45	68	10	A	grooved	0,02	72 NBR 902	BAFUDX7	355488	●
45	70	10	A	smooth	0,02	72 NBR 902	BAFUD	12010957	●
45	72	8	A	grooved	0,02	72 NBR 902	BAFUDX7	334282	●
45	72	8	A	smooth	0,05	72 NBR 902	BAUX2	531104	●
45	72	8	AS	smooth	0,05	72 NBR 902	BAUSLX2	49006102	●
45	72	10	A	smooth	0,05	72 NBR 902	BAUX2	49018324	●
45	75	7	AS	grooved	0,05	72 NBR 902	BAUSLX27	49001658	●
45	75	7	A	grooved	0,05	72 NBR 902	BAUX27	49001659	●
45	75	8	A	smooth	0,05	72 NBR 902	BAU	368920	●
45	75	8	AS	smooth	0,05	72 NBR 902	BAUSLX2	524804	●
45	75	8	AS	smooth	0,05	72 NBR 902	BAUSLX2	49005159	○
45	75	10	A	grooved	0,02	72 NBR 902	BAFUDX7	334299	●
45	75	10	A	smooth	0,05	72 NBR 902	BAUSL	524452	○
45	75	10	A	smooth	0,05	72 NBR 902	BAUX2	526932	●
45	75	10	AS	smooth	0,02	72 NBR 902	BAFUDSL	12000514	●
45	80	8	A	smooth	0,05	72 NBR 902	BAU	8536	●
45	80	10	A	grooved	0,02	72 NBR 902	BAFUDX7	334300	●
45	80	10	AS	smooth	0,05	72 NBR 902	BAUSLX2	526075	●
45	80	10	A	smooth	0,05	72 NBR 902	BAUX2	49037528	●
45	80	13	A	smooth	0,05	72 NBR 902	BA	8543	●
45	85	10	A	smooth	0,05	72 NBR 902	BAU	141529	●
45	85	10	AS	smooth	0,05	72 NBR 902	BAUSLX2	470429	●
45	85	10	A	smooth	0,05	72 NBR 902	BAUSL	524451	○
45	100	10	A	smooth	0,05	72 NBR 902	BA	103209	●
46	64	8	A	smooth	0,05	72 NBR 902	BA	8560	●
46	65	10	A	smooth	0,05	72 NBR 902	BAU	8562	●

● Available from stock ○ On request: Tool is available, delivery at short notice

d ₁	d ₂	b	DIN 3761	Outer surface	Pressure	Material	Type	Article No.	
46	65	10	AS	smooth	0,02	72 NBR 902	BAFUDSL	523567	●
46,94	62	8	A	smooth	0,05	72 NBR 902	BA	8578	●
47	62	6	A	smooth	0,05	72 NBR 902	BA	8582	●
47	65	10	AS	smooth	0,05	72 NBR 902	BAUSLX2	478470	●
47	90	10	AS	smooth	0,05	72 NBR 902	BAUSLX2	478472	●
48	62	8	A	grooved	0,02	72 NBR 902	BAFUDX7	334832	●
48	62	8	AS	smooth	0,05	72 NBR 902	BAUSLX2	49001665	●
48	65	8	A	smooth	0,05	72 NBR 902	BA	8597	●
48	65	10	A	smooth	0,05	72 NBR 902	BAU	8604	●
48	65	10	A	smooth	0,05	72 NBR 902	BAUSL	8606	●
48	65	10	AS	smooth	0,05	72 NBR 902	BAUSLX2	49040137	●
48	68	10	A	smooth	0,05	72 NBR 902	BA	8617	●
48	68	10	AS	smooth	0,05	72 NBR 902	BAUSLX2	529405	●
48	70	10	A	smooth	0,05	72 NBR 902	BAU	8624	●
48	72	7	A	grooved	0,02	72 NBR 902	BAFUDX7	334833	●
48	72	8	A	grooved	0,02	72 NBR 902	BAFUDX7	334301	●
48	72	8	AS	smooth	0,05	72 NBR 902	BAUSLX2	524140	●
48	72	10	A	smooth	0,05	72 NBR 902	BAU	8633	●
48	72	12	A	smooth	0,05	72 NBR 902	BA	8640	●
48	72	12	A	smooth	0,05	72 NBR 902	BAUSL	8641	●
48	80	10	A	grooved	0,02	72 NBR 902	BAFUDX7	334302	●
49	65	10	A	smooth	0,05	72 NBR 902	BA	8648	●
50	60	4,5	A	smooth	0,05	72 NBR 902	BAUSL	49033416	○
50	62	7	AS	smooth	0,02	72 NBR 902	BAFUDSL	12011173	●
50	65	8	A	smooth	0,05	72 NBR 902	BAU	8655	○
50	65	8	A	smooth	0,05	72 NBR 902	BAUSL	8659	○
50	65	8	A	grooved	0,02	72 NBR 902	BAFUDX7	334500	●
50	65	8	AS	smooth	0,02	72 NBR 902	BAFUDSL	532623	●
50	65	8	AS	smooth	0,05	72 NBR 902	BAUSLX2	49008230	○
50	65	10	A	smooth	0,05	72 NBR 902	BAU	8662	●
50	65	10	AS	smooth	0,05	72 NBR 902	BAUSLX2	455621	●
50	68	8	AS	smooth	0,05	72 NBR 902	BAUSLX2	475179	●
50	68	8	A	smooth	0,02	72 NBR 902	BAFUD	532624	●
50	68	10	A	smooth	0,05	72 NBR 902	BAU	8668	●
50	68	10	AS	smooth	0,02	72 NBR 902	BAFUDSL	12011176	●
50	68	12	A	smooth	0,05	72 NBR 902	BA	8670	●
50	70	9	AS	grooved	0,02	72 NBR 902	BAFUDSLX7	365415	●
50	70	10	A	grooved	0,02	72 NBR 902	BAFUDX7	334834	●
50	70	10	AS	smooth	0,02	72 NBR 902	BAFUDSL	12000520	●
50	70	12	A	smooth	0,05	72 NBR 902	BAU	8677	●
50	70	12	A	smooth	0,05	72 NBR 902	BA	385267	○
50	72	8	AS	smooth	0,05	72 NBR 902	BAUSLX2	529406	●
50	72	8	A	smooth	0,02	72 NBR 902	BAFUD	49001627	●
50	72	10	A	smooth	0,05	72 NBR 902	BA	8694	●
50	72	10	A	grooved	0,02	72 NBR 902	BAFUDX7	346653	●
50	72	12	AS	grooved	0,02	72 NBR 902	BAFUDSLX7	334835	●
50	72	12	AS	smooth	0,05	72 NBR 902	BAUSLX2	530502	●
50	75	7	AS	smooth	0,05	72 NBR 902	BAUSLX2	522367	●
50	75	10	A	smooth	0,05	72 NBR 902	BAU	8711	●
50	78	10	A	smooth	0,05	72 NBR 902	BAU	8713	●

● Available from stock ○ On request: Tool is available, delivery at short notice

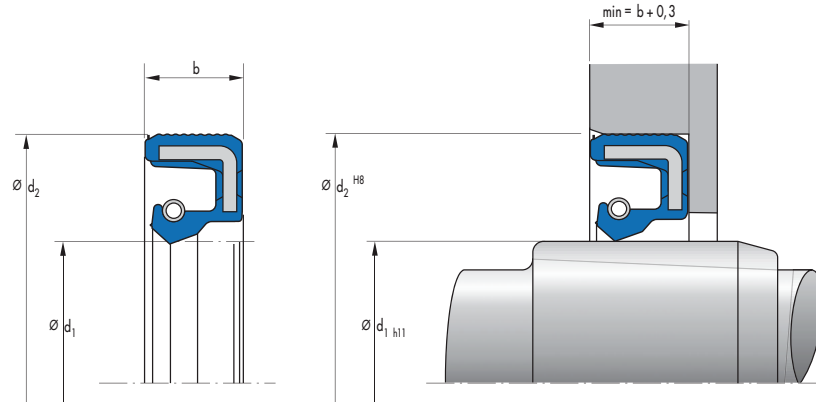


d_1	d_2	b	DIN 3761	Outer surface	Pressure	Material	Type	Article No.	
50	80	8	AS	smooth	0,05	72 NBR 902	BAUSLX2	522368	●
50	80	8	A	smooth	0,05	72 NBR 902	BAUX2	531107	●
50	80	8	A	smooth	0,02	72 NBR 902	BAFUD	49001628	●
50	80	10	A	smooth	0,05	72 NBR 902	BAU	8716	●
50	80	10	AS	grooved	0,05	72 NBR 902	BAUSLX27	451009	●
50	80	10	AS	smooth	0,05	72 NBR 902	BAUSLX2	455623	●
50	80	10	A	smooth	0,05	72 NBR 902	BAUX2	49037530	●
50	80	13	A	smooth	0,05	72 NBR 902	BA	8720	●
50	80	13	A	smooth	0,05	72 NBR 902	BAUSL	340571	●
50	85	10	AS	smooth	0,05	72 NBR 902	BAUSLX2	521126	●
50	90	8	AS	grooved	0,05	72 NBR 902	BAUSLX27	49001660	●
50	90	10	AS	smooth	0,05	72 NBR 902	BAUSLX2	455625	●
50	90	10	A	smooth	0,05	72 NBR 902	BAUX2	531103	●
50	110	10	AS	smooth	0,05	72 NBR 902	BAUSLX2	49014241	●
52	68	8	A	grooved	0,02	72 NBR 902	BAFUDX7	334316	●
52	68	8	AS	smooth	0,02	72 NBR 902	BAFUDSL	12013905	●
52	68	10	A	smooth	0,05	72 NBR 902	BA	8742	●
52	72	8	A	grooved	0,02	72 NBR 902	BAFUDX7	355489	●
52	72	10	A	smooth	0,05	72 NBR 902	BAU	8747	●
52	72	10	AS	smooth	0,05	72 NBR 902	BAUSLX2	470379	●
52	72	12	A	smooth	0,05	72 NBR 902	BA	8749	●
52	75	10	A	smooth	0,05	72 NBR 902	BA	8751	●
52	80	10	A	smooth	0,05	72 NBR 902	BA	8753	●
52	85	10	A	smooth	0,05	72 NBR 902	BA	8763	●
52	85	10	A	smooth	0,02	72 NBR 902	BAFUD	523559	●
52	100	10	AS	smooth	0,05	72 NBR 902	BAUSLX2	470342	●
53	68	10	A	smooth	0,02	72 NBR 902	BAFUD	12010980	●
54	70	10	A	smooth	0,05	72 NBR 902	BA	8781	●
54	81	10	AS	grooved	0,02	72 NBR 902	BAFUDSLX7	407530	●
55	68	8	A	grooved	0,02	72 NBR 902	BAFUDX7	355483	●
55	68	8	AS	smooth	0,05	72 NBR 902	BAUSLX2	525828	●
55	70	7	A	smooth	0,05	72 NBR 902	BAUX2	520469	●
55	70	7	AS	smooth	0,05	72 NBR 902	BAUSLX2	521375	●
55	70	8	A	smooth	0,05	72 NBR 902	BAUX2	528747	●
55	70	8	AS	smooth	0,02	72 NBR 902	BAFUDSL	49001656	●
55	70	10	A	smooth	0,05	72 NBR 902	BAU	8799	●

● Available from stock ○ On request: Tool is available, delivery at short notice

d ₁	d ₂	b	DIN 3761	Outer surface	Pressure	Material	Type	Article No.	
55	72	8	AS	smooth	0,05	72 NBR 902	BAUSLX2	476679	●
55	72	8	A	smooth	0,02	72 NBR 902	BAFUD	532625	●
55	72	10	A	grooved	0,02	72 NBR 902	BAFUDX7	335477	●
55	72	10	AS	smooth	0,05	72 NBR 902	BAUSLX2	462742	●
55	75	8	AS	smooth	0,05	72 NBR 902	BAUSLX2	475176	●
55	75	10	A	grooved	0,02	72 NBR 902	BAFUDX7	355484	●
55	75	10	A	smooth	0,05	72 NBR 902	BAU	366523	○
55	75	13	A	smooth	0,05	72 NBR 902	BAU	8815	●
55	78	10	A	smooth	0,05	72 NBR 902	BA	8822	●
55	80	8	AS	smooth	0,05	72 NBR 902	BAUSLX2	524199	●
55	80	8	A	smooth	0,05	72 NBR 902	BAUX2	524646	●
55	80	10	A	smooth	0,05	72 NBR 902	BAU	8825	●
55	80	10	AS	smooth	0,05	72 NBR 902	BAUSLX2	524501	●
55	80	13	A	smooth	0,05	72 NBR 902	BAU	8834	●
55	85	8	A	smooth	0,05	72 NBR 902	BAU	523560	●
55	85	10	A	smooth	0,05	72 NBR 902	BA	8836	●
55	85	13	A	smooth	0,05	72 NBR 902	BAU	8838	●
55	90	8	AS	grooved	0,05	72 NBR 902	BAUSLX7	377885	●
55	90	8	A	smooth	0,05	72 NBR 902	BAUX2	49009274	●
55	90	8	AS	smooth	0,05	72 NBR 902	BAUSLX2	49033016	●
55	90	10	AS	smooth	0,05	72 NBR 902	BAUSLX2	455630	●
55	90	10	A	smooth	0,05	72 NBR 902	BAUX2	521240	●
55	100	8	AS	smooth	0,05	72 NBR 902	BAUSLX2	49003306	●
55	100	10	AS	smooth	0,05	72 NBR 902	BAUSLX2	470437	●
55	100	10	A	smooth	0,05	72 NBR 902	BAUX2	49002809	●
56	70	8	A	smooth	0,05	72 NBR 902	BA	27338	●
56	70	8	AS	smooth	0,02	72 NBR 902	BAFUDSL	12011189	●
56	72	8	A	smooth	0,05	72 NBR 902	BAU	8850	●
56	72	10	A	smooth	0,05	72 NBR 902	BA	8856	●
56	80	8	A	smooth	0,05	72 NBR 902	BA	2799	●
56	85	8	A	smooth	0,05	72 NBR 902	BA	31451	●
56	85	8	A	smooth	0,02	72 NBR 902	BAFUD	523561	●
58	72	8	A	smooth	0,02	72 NBR 902	BAFUD	49001629	●
58	75	10	A	grooved	0,02	72 NBR 902	BAFUDX7	334320	●
58	80	8	A	grooved	0,02	72 NBR 902	BAFUDX7	334839	●
58	80	10	A	smooth	0,05	72 NBR 902	BAU	8883	●
58	80	10	AS	grooved	0,02	72 NBR 902	BAFUDSLX7	12011190	●
58	90	10	A	smooth	0,02	72 NBR 902	BAFUD	12010996	●
60	75	8	A	smooth	0,05	72 NBR 902	BAU	390993	○
60	75	8	AS	smooth	0,05	72 NBR 902	BAUSLX2	524219	●
60	75	8	A	smooth	0,05	72 NBR 902	BAUX2	49017410	●
60	78	10	A	smooth	0,05	72 NBR 902	BA	8909	●
60	80	8	A	grooved	0,02	72 NBR 902	BAFUDX7	334321	●
60	80	8	AS	smooth	0,05	72 NBR 902	BAUSLX2	49028650	●
60	80	8	AS	smooth	0,05	72 NBR 902	BAUSLX2	49030494	●
60	80	10	A	smooth	0,05	72 NBR 902	BAU	8920	○
60	80	10	AS	smooth	0,05	72 NBR 902	BASL	8927	●
60	80	10	AS	smooth	0,05	72 NBR 902	BAUSLX2	529407	●
60	80	10	A	smooth	0,05	72 NBR 902	BAUX2	49020336	●
60	80	13	AS	smooth	0,05	72 NBR 902	BAUSLX2	49040138	●

● Available from stock ○ On request: Tool is available, delivery at short notice

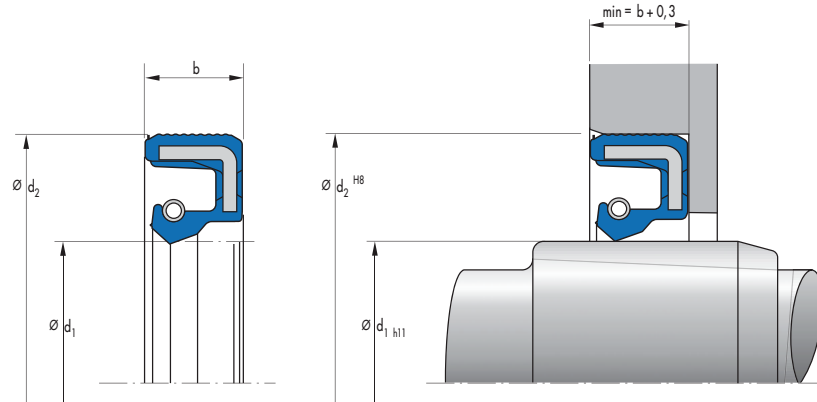


d_1	d_2	b	DIN 3761	Outer surface	Pressure	Material	Type	Article No.	
60	85	8	A	grooved	0,02	72 NBR 902	BAFUDX7	334322	●
60	85	8	AS	smooth	0,02	72 NBR 902	BAFUDSL	12011193	●
60	85	10	A	grooved	0,02	72 NBR 902	BAFUDX7	334842	●
60	85	13	A	smooth	0,05	72 NBR 902	BA	8941	●
60	90	8	A	grooved	0,02	72 NBR 902	BAFUDX7	334844	●
60	90	8	AS	smooth	0,05	72 NBR 902	BAUSLX2	524647	●
60	90	8	AS	smooth	0,02	72 NBR 902	BAFUDSL	12011194	●
60	90	8	A	smooth	0,05	72 NBR 902	BAUX2	49037534	●
60	90	9	AS	smooth	0,05	72 NBR 902	BAUSLX2	522366	●
60	90	10	A	smooth	0,05	72 NBR 902	BAU	8952	●
60	90	13	A	grooved	0,02	72 NBR 902	BAFUDX7	334234	●
60	95	10	A	smooth	0,05	72 NBR 902	BAUX2	525827	●
60	95	10	AS	smooth	0,02	72 NBR 902	BAFUDSL	12000533	●
60	100	10	A	smooth	0,05	72 NBR 902	BAU	8963	●
60	100	10	AS	smooth	0,05	72 NBR 902	BAUSLX2	49011493	●
60	110	10	AS	smooth	0,05	72 NBR 902	BAUSLX2	479624	●
60	110	10	A	smooth	0,05	72 NBR 902	BAUX2	530010	●
60	110	12	AS	smooth	0,05	72 NBR 902	BAUSLX2	455632	●
60	110	13	A	smooth	0,05	72 NBR 902	BA	8965	●
62	80	10	A	smooth	0,05	72 NBR 902	BA	8978	●
62	85	10	A	smooth	0,05	72 NBR 902	BA	8983	●
62	90	10	A	grooved	0,02	72 NBR 902	BAFUDX7	334847	●
62	90	10	A	smooth	0,05	72 NBR 902	BAU	523562	○
62	90	12	AS	smooth	0,05	72 NBR 902	BAUSLX2	470364	●
62	120	12	AS	smooth	0,05	72 NBR 902	BAUSLX2	470345	●
63	85	10	A	smooth	0,05	72 NBR 902	BAU	2794	●
63	90	10	A	smooth	0,05	72 NBR 902	BA	14877	●
64	80	8	A	smooth	0,02	72 NBR 902	BAFUD	12011006	●
64	90	10	A	smooth	0,05	72 NBR 902	BA	9003	●
65	80	8	A	grooved	0,02	72 NBR 902	BAFUDX7	355414	●
65	80	8	AS	grooved	0,05	72 NBR 902	BAUSLX7	49033418	○
65	85	10	A	smooth	0,05	72 NBR 902	BAU	9011	○
65	85	10	A	grooved	0,02	72 NBR 902	BAFUDX7	334324	●
65	85	10	AS	smooth	0,02	72 NBR 902	BAFUDSL	12011195	●
65	85	12	AS	smooth	0,05	72 NBR 902	BAUSLX2	470431	●
65	85	13	A	smooth	0,05	72 NBR 902	BA	9015	●

● Available from stock ○ On request: Tool is available, delivery at short notice

d ₁	d ₂	b	DIN 3761	Outer surface	Pressure	Material	Type	Article No.	
65	85	13	AS	grooved	0,02	72 NBR 902	BAFUDSLX7	355410	●
65	90	8	AS	smooth	0,05	72 NBR 902	BAUSLX2	49017459	●
65	90	10	AS	smooth	0,05	72 NBR 902	BAUSLX2	524504	●
65	90	10	A	smooth	0,05	72 NBR 902	BAUX2	527119	●
65	90	13	A	smooth	0,05	72 NBR 902	BA	9030	●
65	95	10	A	grooved	0,02	72 NBR 902	BAFUDX7	334849	●
65	100	10	AS	grooved	0,05	72 NBR 902	BAUSLX7	451669	●
65	100	10	A	smooth	0,02	72 NBR 902	BAFUD	49001654	●
65	100	10	AS	smooth	0,05	72 NBR 902	BAUSLX2	49001671	●
65	100	12	A	smooth	0,05	72 NBR 902	BA	9041	●
65	100	12	AS	smooth	0,05	72 NBR 902	BAUSLX2	470433	●
65	110	10	AS	smooth	0,05	72 NBR 902	BAUSLX2	522256	●
65	120	10	A	grooved	0,05	72 NBR 902	BAUX27	450736	●
65	120	10	AS	grooved	0,05	72 NBR 902	BAUSLX27	450737	●
65	120	10	AS	smooth	0,05	72 NBR 902	BAUSLX2	49037439	●
65	120	10	A	smooth	0,05	72 NBR 902	BAUX2	49037440	●
65	120	12	AS	smooth	0,05	72 NBR 902	BAUSLX2	455634	●
65	140	12	AS	smooth	0,05	72 NBR 902	BAUSLX2	455636	●
65	140	12	A	smooth	0,05	72 NBR 902	BAUX2	475367	●
67	90	10	A	smooth	0,05	72 NBR 902	BAUSL	464665	○
68	85	10	A	grooved	0,02	72 NBR 902	BAFUDX7	411221	●
68	87	8	AS	smooth	0,02	72 NBR 902	BAFUDSL	12011197	●
68	90	10	A	smooth	0,05	72 NBR 902	BAUSL	9060	●
68	90	10	A	grooved	0,02	72 NBR 902	BAFUDX7	355406	●
68	100	10	A	smooth	0,05	72 NBR 902	BA	9062	●
69	90	10	A	smooth	0,05	72 NBR 902	BAU	9066	●
70	85	7	A	grooved	0,02	72 NBR 902	BAFUDX7	355485	●
70	85	8	A	grooved	0,02	72 NBR 902	BAFUDX7	334851	●
70	85	8	AS	smooth	0,05	72 NBR 902	BAUSLX2	524145	●
70	90	10	A	smooth	0,05	72 NBR 902	BAU	9095	●
70	90	10	A	grooved	0,02	72 NBR 902	BAFUDX7	355432	●
70	90	10	AS	grooved	0,05	72 NBR 902	BAUSLX7	376900	○
70	90	10	AS	smooth	0,05	72 NBR 902	BAUSLX2	524198	●
70	90	12	AS	smooth	0,05	72 NBR 902	BAUSLX2	455638	●
70	90	12	A	smooth	0,05	72 NBR 902	BAUX2	520465	●
70	90	13	A	smooth	0,05	72 NBR 902	BAU	9101	●
70	90	13	A	smooth	0,05	72 NBR 902	BAUSL	9102	●
70	95	10	A	smooth	0,05	72 NBR 902	BAU	9106	●
70	95	10	A	smooth	0,05	72 NBR 902	BAU	523551	○
70	95	13	A	smooth	0,05	72 NBR 902	BAU	9108	●
70	100	6	A	smooth	0,05	72 NBR 902	BA	9110	●
70	100	10	A	grooved	0,02	72 NBR 902	BAFUDX7	334325	●
70	100	10	A	smooth	0,05	72 NBR 902	BAU	340877	○
70	100	10	AS	smooth	0,05	72 NBR 902	BAUSLX2	522359	●
70	100	10	A	smooth	0,05	72 NBR 902	BAU	523842	○
70	100	12	A	smooth	0,02	72 NBR 902	BAFUD	523564	●
70	100	13	A	smooth	0,05	72 NBR 902	BAU	9122	●
70	110	8	A	smooth	0,05	72 NBR 902	BAU	9128	●
70	110	8	A	smooth	0,05	72 NBR 902	BAUX2	49033018	●
70	110	10	AS	grooved	0,05	72 NBR 902	BAUSLX7	377886	●

● Available from stock ○ On request: Tool is available, delivery at short notice

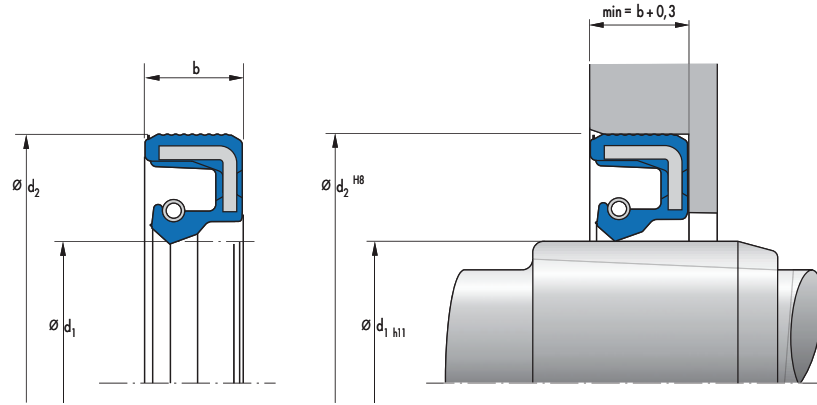


d ₁	d ₂	b	DIN 3761	Outer surface	Pressure	Material	Type	Article No.	
70	110	12	AS	smooth	0,05	72 NBR 902	BAUSLX2	455641	●
70	110	13	A	smooth	0,05	72 NBR 902	BAU	9130	●
70	110	13	AS	grooved	0,02	72 NBR 902	BAFUDSLX7	407536	●
70	115	16	A	smooth	0,05	72 NBR 902	BA	306770	●
70	120	10	AS	grooved	0,02	72 NBR 902	BAFUDSLX7	452953	●
70	125	12	AS	smooth	0,05	72 NBR 902	BAUSLX2	49011092	●
70	125	12	A	smooth	0,05	72 NBR 902	BAUX2	49011093	●
70	130	10	AS	smooth	0,05	72 NBR 902	BAUSLX2	479457	●
70	130	10	A	smooth	0,05	72 NBR 902	BAUX2	479458	●
70	130	12	AS	smooth	0,05	72 NBR 902	BAUSLX2	477908	●
72	90	10	A	smooth	0,05	72 NBR 902	BA	9137	●
72	90	10	A	smooth	0,05	72 NBR 902	BAUX2	49025290	●
72	95	10	A	grooved	0,02	72 NBR 902	BAFUDX7	366669	●
72	95	10	AS	grooved	0,02	72 NBR 902	BAFUDSLX7	437162	●
72	95	12	AS	smooth	0,05	72 NBR 902	BAUSLX2	470366	●
72	100	10	A	smooth	0,05	72 NBR 902	BAU	9142	●
72	100	10	A	smooth	0,05	72 NBR 902	BAU	523565	○
72	100	12	A	grooved	0,02	72 NBR 902	BAFUDX7	520460	●
72	130	12	AS	smooth	0,05	72 NBR 902	BAUSLX2	523524	●
72	140	12	AS	smooth	0,05	72 NBR 902	BAUSLX2	470349	●
74	90	10	A	smooth	0,05	72 NBR 902	BA	9149	●
74	95	10	A	grooved	0,02	72 NBR 902	BAFUDX7	334852	●
75	90	8	A	smooth	0,05	72 NBR 902	BAU	9157	●
75	90	8	A	smooth	0,05	72 NBR 902	BAUX2	49024277	●
75	95	9	AS	smooth	0,05	72 NBR 902	BASL	61875	●
75	95	9	AS	smooth	0,02	72 NBR 902	BAFUDSL	417887	●
75	95	10	AS	smooth	0,02	72 NBR 902	BAFUDSL	12011201	●
75	95	10	A	smooth	0,05	72 NBR 902	BAUX2	49017472	●
75	95	12	A	smooth	0,05	72 NBR 902	BAU	9172	●
75	95	12	AS	smooth	0,05	72 NBR 902	BAUSLX2	524699	●
75	100	10	AS	smooth	0,05	72 NBR 902	BAUSLX2	524653	●
75	100	10	A	smooth	0,05	72 NBR 902	BAUX2	525285	●
75	100	12	AS	grooved	0,02	72 NBR 902	BAFUDSLX7	334855	●
75	100	13	A	smooth	0,05	72 NBR 902	BAU	9189	●
75	105	12	A	smooth	0,02	72 NBR 902	BAFUD	12011023	●
75	110	12	A	smooth	0,02	72 NBR 902	BAFUD	12011024	●

● Available from stock ○ On request: Tool is available, delivery at short notice

d ₁	d ₂	b	DIN 3761	Outer surface	Pressure	Material	Type	Article No.	
75	110	13	AS	smooth	0,02	72 NBR 902	BAFUDSL	12000542	●
75	115	12	AS	smooth	0,05	72 NBR 902	BAUSLX2	475360	●
75	120	12	A	grooved	0,05	72 NBR 902	BAUX27	450738	●
75	120	12	AS	grooved	0,05	72 NBR 902	BAUSLX27	451194	●
75	130	10	AS	smooth	0,05	72 NBR 902	BAUSLX2	477279	●
75	130	12	AS	smooth	0,05	72 NBR 902	BAUSLX2	455643	●
76	100	10	A	smooth	0,05	72 NBR 902	BAU	9198	●
78	100	10	A	smooth	0,05	72 NBR 902	BAU	9204	●
80	100	10	A	smooth	0,05	72 NBR 902	BAU	9216	○
80	100	10	AS	smooth	0,05	72 NBR 902	BAUSLX2	524139	●
80	100	10	A	smooth	0,02	72 NBR 902	BAFUD	532626	●
80	100	12	AS	smooth	0,05	72 NBR 902	BAUSLX2	470439	●
80	100	13	A	smooth	0,05	72 NBR 902	BAU	9221	●
80	100	13	AS	smooth	0,02	72 NBR 902	BAFUDSL	12011204	●
80	105	13	A	grooved	0,02	72 NBR 902	BAFUDX7	334326	●
80	105	13	A	smooth	0,05	72 NBR 902	BAU	523566	○
80	110	8	A	smooth	0,05	72 NBR 902	BAUX2	524780	●
80	110	10	AS	smooth	0,05	72 NBR 902	BAUSLX2	524503	●
80	110	10	A	smooth	0,05	72 NBR 902	BAUX2	49033031	●
80	110	12	A	smooth	0,02	72 NBR 902	BAFUD	12011030	●
80	110	13	A	smooth	0,02	72 NBR 902	BAFUD	12011031	●
80	115	10	A	smooth	0,05	72 NBR 902	BA	9234	●
80	120	13	A	smooth	0,02	72 NBR 902	BAFUD	12011033	●
80	125	12	AS	smooth	0,05	72 NBR 902	BAUSLX2	470441	●
80	125	13	A	grooved	0,05	72 NBR 902	BAUX27	453163	●
80	140	13	AS	grooved	0,05	72 NBR 902	BAUSLX27	453165	●
80	140	13	A	grooved	0,05	72 NBR 902	BAUX27	453166	●
80	140	13	A	smooth	0,05	72 NBR 902	BAUX2	49037441	●
80	140	13	AS	smooth	0,05	72 NBR 902	BAUSLX2	49037452	●
80	150	15	AS	smooth	0,05	72 NBR 902	BAUSLX2	520449	●
80	170	13	AS	smooth	0,05	72 NBR 902	BAUSLX2	434902	●
82	105	10	AS	smooth	0,05	72 NBR 902	BASL	9242	●
82	105	10	AS	smooth	0,05	72 NBR 902	BAUSLX2	529148	●
82	105	12	A	smooth	0,05	72 NBR 902	BAU	9244	●
82	120	13	AS	smooth	0,05	72 NBR 902	BAUSLX2	470376	●
82	160	13	AS	smooth	0,05	72 NBR 902	BAUSLX2	470381	●
85	100	9	A	smooth	0,05	72 NBR 902	BA	24569	●
85	100	9	AS	grooved	0,05	72 NBR 902	BAUSLX27	533028	●
85	105	13	A	grooved	0,02	72 NBR 902	BAFUDX7	335194	●
85	105	13	A	smooth	0,05	72 NBR 902	BAU	354468	○
85	110	12	AS	smooth	0,05	72 NBR 902	BAUSLX2	455645	●
85	110	12	A	smooth	0,05	72 NBR 902	BAUX2	526074	●
85	110	13	A	grooved	0,02	72 NBR 902	BAFUDX7	335159	●
85	115	13	A	smooth	0,02	72 NBR 902	BAFUD	12011037	●
85	120	12	A	smooth	0,05	72 NBR 902	BA	14070	●
85	125	10	AS	smooth	0,05	72 NBR 902	BAUSLX2	522358	●
85	130	10	AS	grooved	0,05	72 NBR 902	BAUSLX27	49002843	●
85	130	10	A	smooth	0,05	72 NBR 902	BAUX2	49005998	●
85	130	12	A	smooth	0,05	72 NBR 902	BAU	394923	●
85	140	12	A	grooved	0,02	72 NBR 902	BAUX7	369435	●

● Available from stock ○ On request: Tool is available, delivery at short notice

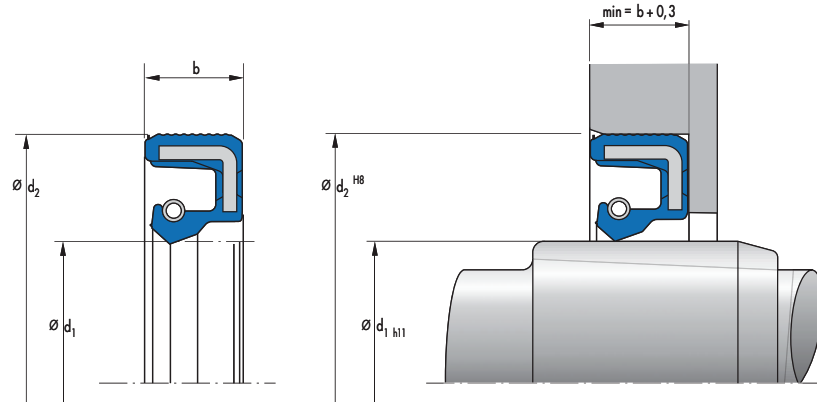


d ₁	d ₂	b	DIN 3761	Outer surface	Pressure	Material	Type	Article No.	
85	140	12	AS	grooved	0,05	72 NBR 902	BAUSLX7	369448	●
85	140	12	AS	smooth	0,05	72 NBR 902	BAUSLX2	455648	●
85	150	12	AS	smooth	0,05	72 NBR 902	BAUSLX2	477583	●
85	150	12	A	smooth	0,05	72 NBR 902	BAUX2	49006054	●
86	105	13	A	smooth	0,05	72 NBR 902	BA	9273	●
86	110	13	A	smooth	0,05	72 NBR 902	BA	9275	●
88	110	10	A	smooth	0,05	72 NBR 902	BA	9279	●
88	160	13	AS	smooth	0,05	72 NBR 902	BAUSLX2	475363	●
90	110	8	A	grooved	0,02	72 NBR 902	BAFUDX7	338992	●
90	110	10	A	smooth	0,05	72 NBR 902	BAU	327928	●
90	110	10	A	smooth	0,05	72 NBR 902	BAUSL	452252	●
90	110	12	A	grooved	0,02	72 NBR 902	BAFUDX7	334762	●
90	110	12	A	smooth	0,05	72 NBR 902	BAUSL	371060	●
90	110	13	A	smooth	0,05	72 NBR 902	BAU	9287	●
90	110	13	AS	smooth	0,05	72 NBR 902	BAUSLX2	49011512	●
90	115	12	A	smooth	0,05	72 NBR 902	BAU	313552	●
90	120	12	A	grooved	0,02	72 NBR 902	BAFUDX7	335160	●
90	120	13	A	smooth	0,05	72 NBR 902	BAU	9294	●
90	120	13	AS	grooved	0,02	72 NBR 902	BAFUDSLX7	339432	●
90	130	13	A	smooth	0,05	72 NBR 902	BA	9301	●
90	140	13	A	smooth	0,05	72 NBR 902	BA	28763	●
90	140	13	AS	smooth	0,05	72 NBR 902	BAUSLX2	522420	●
90	140	13	A	smooth	0,05	72 NBR 902	BAUX2	49037535	●
92	120	12	A	smooth	0,05	72 NBR 902	BA	9303	●
95	115	13	AS	smooth	0,05	72 NBR 902	BASL	346567	○
95	115	13	AS	smooth	0,05	72 NBR 902	BAUSLX2	524194	●
95	120	12	A	grooved	0,02	72 NBR 902	BAFUDX7	355407	●
95	120	12	A	smooth	0,05	72 NBR 902	BAUX2	529408	○
95	120	12	AS	smooth	0,02	72 NBR 902	BAFUDSL	12011207	●
95	120	12	A	smooth	0,05	72 NBR 902	BAUX2	49035730	●
95	120	13	A	smooth	0,05	72 NBR 902	BA	9310	●
95	125	12	A	smooth	0,05	72 NBR 902	BA	3450	●
95	125	12	AS	grooved	0,02	72 NBR 902	BAFUDSLX7	335174	●
95	125	13	AS	smooth	0,05	72 NBR 902	BAUSLX2	455650	●
95	125	13	A	smooth	0,05	72 NBR 902	BAUX2	49037536	●
95	145	13	AS	grooved	0,05	72 NBR 902	BAUSLX27	451051	●

● Available from stock ○ On request: Tool is available, delivery at short notice

d ₁	d ₂	b	DIN 3761	Outer surface	Pressure	Material	Type	Article No.	
95	145	13	A	grooved	0,05	72 NBR 902	BAUX27	451052	●
95	145	13	AS	smooth	0,05	72 NBR 902	BAUSLX2	470443	●
95	170	13	AS	smooth	0,05	72 NBR 902	BAUSLX2	455653	○
98	125	12	A	smooth	0,05	72 NBR 902	BA	9319	●
98	125	12	AS	smooth	0,05	72 NBR 902	BASL	18962	●
100	120	10	A	smooth	0,05	72 NBR 902	BAUX2	9323	●
100	120	12	A	smooth	0,05	72 NBR 902	BAU	9327	○
100	120	12	AS	grooved	0,02	72 NBR 902	BAFUDSLX7	334231	●
100	120	12	A	grooved	0,02	72 NBR 902	BAFUDX7	335175	●
100	125	12	A	grooved	0,02	72 NBR 902	BAFUDX7	355481	●
100	125	13	A	smooth	0,05	72 NBR 902	BA	9338	●
100	125	13	AS	grooved	0,02	72 NBR 902	BAFUDSLX7	334856	●
100	130	10	A	smooth	0,05	72 NBR 902	BA	9341	●
100	130	12	A	smooth	0,05	72 NBR 902	BA	8079	●
100	130	12	A	grooved	0,02	72 NBR 902	BAFUDX7	369826	●
100	130	12	AS	smooth	0,05	72 NBR 902	BAUSLX2	526078	●
100	130	13	AS	smooth	0,05	72 NBR 902	BAUSLX2	478549	●
100	135	13	A	smooth	0,05	72 NBR 902	BAU	340026	●
100	145	12	AS	smooth	0,05	72 NBR 902	BAUSLX2	522357	●
100	150	12	A	smooth	0,05	72 NBR 902	BA	9345	●
100	160	14	AS	grooved	0,05	72 NBR 902	BAUSLX27	451670	●
100	160	14	A	grooved	0,05	72 NBR 902	BAUX27	453167	●
100	180	12	A	grooved	0,05	72 NBR 902	BAUX27	450739	●
100	180	12	AS	grooved	0,05	72 NBR 902	BAUSLX27	450740	●
100	180	12	AS	smooth	0,05	72 NBR 902	BAUSLX2	49037437	●
100	180	12	A	smooth	0,05	72 NBR 902	BAUX2	49037438	●
100	190	15	AS	smooth	0,05	72 NBR 902	BAUSLX2	520451	●
104	125	10	A	smooth	0,05	72 NBR 902	BA	9355	●
105	130	8	AS	smooth	0,05	72 NBR 902	BAUSLX2	524146	●
105	130	12	A	smooth	0,05	72 NBR 902	BAU	9361	●
105	130	12	AS	grooved	0,02	72 NBR 902	BAFUDSLX7	335177	●
105	140	12	A	smooth	0,05	72 NBR 902	BA	2771	●
105	140	12	AS	smooth	0,05	72 NBR 902	BAUSLX2	524505	●
105	160	12	AS	smooth	0,05	72 NBR 902	BAUSLX2	475362	●
105	190	12	AS	smooth	0,05	72 NBR 902	BAUSLX2	522306	●
108	140	15	AS	smooth	0,05	72 NBR 902	BAUSLX2	470435	●
108	170	15	AS	smooth	0,05	72 NBR 902	BAUSLX2	470383	●
109,4	160	8	AS	grooved	0,05	72 NBR 902	BASLX7	396236	○
110	130	8	AS	grooved	0,05	72 NBR 902	BAUSLX7	49033417	○
110	130	12	A	smooth	0,05	72 NBR 902	BAUSL	126037	●
110	130	12	A	grooved	0,02	72 NBR 902	BAFUDX7	355424	●
110	140	12	AS	smooth	0,05	72 NBR 902	BASL	9373	●
110	140	12	A	smooth	0,05	72 NBR 902	BAU	14103	●
110	140	13	A	smooth	0,05	72 NBR 902	BAUSL	9380	●
110	140	13	A	smooth	0,05	72 NBR 902	BA	9381	●
110	150	12	A	grooved	0,02	72 NBR 902	BAFUDX7	474182	●
110	170	15	AS	smooth	0,05	72 NBR 902	BAUSLX2	520450	●
110	200	13	AS	grooved	0,05	72 NBR 902	BAUSLX27	451053	●
110	200	13	A	grooved	0,05	72 NBR 902	BAUX27	451054	●
110	215	15	AS	smooth	0,05	72 NBR 902	BAUSLX2	520453	●

● Available from stock ○ On request: Tool is available, delivery at short notice

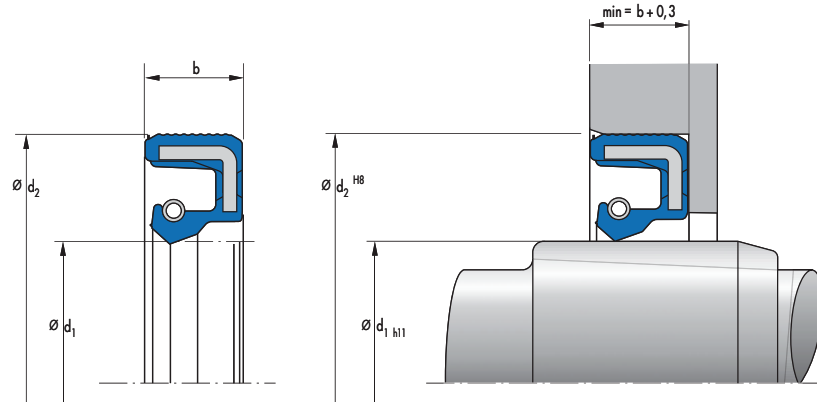


d ₁	d ₂	b	DIN 3761	Outer surface	Pressure	Material	Type	Article No.	
112	140	13	A	smooth	0,05	72 NBR 902	BAU	9395	●
115	140	12	AS	grooved	0,02	72 NBR 902	BAFUDSLX7	334501	●
115	140	12	A	smooth	0,05	72 NBR 902	BAUSL	335212	○
115	140	12	A	grooved	0,02	72 NBR 902	BAFUDX7	355480	●
115	140	12	AS	grooved	0,05	72 NBR 902	BAUSLX7	401314	○
115	150	12	A	smooth	0,05	72 NBR 902	BA	2605	●
115	170	12	AS	smooth	0,05	72 NBR 902	BAUSLX2	522356	●
115	215	12	AS	smooth	0,05	72 NBR 902	BAUSLX2	522309	●
118	150	12	AS	smooth	0,05	72 NBR 902	BAUSLX2	457498	●
118	150	12	A	smooth	0,05	72 NBR 902	BAUX2	462756	●
120	140	12	A	smooth	0,05	72 NBR 902	BAU	411088	●
120	140	12	A	smooth	0,05	72 NBR 902	BAUSL	49030924	●
120	140	13	AS	smooth	0,05	72 NBR 902	BAUSLX2	524147	●
120	140	13	A	smooth	0,05	72 NBR 902	BAUX2	49037537	●
120	150	12	A	smooth	0,05	72 NBR 902	BAU	9413	○
120	150	12	AS	smooth	0,05	72 NBR 902	BAUSLX2	526963	●
120	150	12	A	smooth	0,05	72 NBR 902	BAUX2	49017408	●
120	150	13	A	smooth	0,05	72 NBR 902	BA	31371	●
120	150	13	AS	smooth	0,05	72 NBR 902	BASL	418990	●
120	150	15	AS	smooth	0,05	72 NBR 902	BAUSLX2	470447	●
120	160	12	A	smooth	0,05	72 NBR 902	BA	14120	●
120	180	12	AS	smooth	0,05	72 NBR 902	BAUSLX2	49043674	●
120	180	12	A	smooth	0,05	72 NBR 902	BAUX2	49043675	●
120	180	15	AS	smooth	0,05	72 NBR 902	BAUSLX2	470451	●
120	180	15	A	smooth	0,05	72 NBR 902	BAUX2	49031233	○
120	200	14	AS	grooved	0,05	72 NBR 902	BAUSLX27	451037	●
120	200	14	A	grooved	0,05	72 NBR 902	BAUX27	453168	●
122	150	15	AS	smooth	0,05	72 NBR 902	BASL	9427	●
122	200	15	AS	smooth	0,05	72 NBR 902	BAUSLX2	475364	●
125	150	12	AS	grooved	0,02	72 NBR 902	BAFUDSLX7	334229	●
125	150	12	A	grooved	0,02	72 NBR 902	BAFUDX7	335125	●
125	150	13	A	smooth	0,05	72 NBR 902	BA	9440	●
125	160	12	A	smooth	0,05	72 NBR 902	BA	14142	●
125	160	15	AS	smooth	0,05	72 NBR 902	BAUSLX2	470445	●
125	180	12	AS	smooth	0,05	72 NBR 902	BAUSLX2	522355	●
125	200	15	AS	smooth	0,05	72 NBR 902	BAUSLX2	470425	●

● Available from stock ○ On request: Tool is available, delivery at short notice

d ₁	d ₂	b	DIN 3761	Outer surface	Pressure	Material	Type	Article No.	
128	150	13	A	smooth	0,05	72 NBR 902	BAU	9452	●
130	160	12	A	grooved	0,02	72 NBR 902	BAFUDX7	364316	●
130	160	12	AS	smooth	0,05	72 NBR 902	BAUSLX2	49030495	●
130	160	13	A	grooved	0,02	72 NBR 902	BAFUDX7	335201	●
130	160	14	A	smooth	0,05	72 NBR 902	BAU	376145	●
130	160	15	A	smooth	0,05	72 NBR 902	BAUSL	9463	●
130	170	12	A	smooth	0,05	72 NBR 902	BA	14143	●
130	170	12	AS	smooth	0,02	72 NBR 902	BAFUDSL	12013366	●
130	170	15	AS	smooth	0,05	72 NBR 902	BAUSLX2	524696	●
130	200	15	AS	smooth	0,05	72 NBR 902	BAUSLX2	475361	●
130	215	15	AS	smooth	0,05	72 NBR 902	BAUSLX2	520454	●
130	230	14	AS	grooved	0,05	72 NBR 902	BAUSLX27	451056	●
130	230	14	A	grooved	0,05	72 NBR 902	BAUX27	451058	●
135	160	12	A	smooth	0,02	72 NBR 902	BAFUD	12011085	●
135	170	12	A	grooved	0,02	72 NBR 902	BAFUDX7	335202	●
135	170	12	AS	smooth	0,05	72 NBR 902	BAUSLX2	478571	●
135	170	12	A	smooth	0,05	72 NBR 902	BAUX2	478573	●
135	215	12	AS	smooth	0,05	72 NBR 902	BAUSLX2	522312	●
140	165	12	A	smooth	0,05	72 NBR 902	BA	9475	●
140	170	12	AS	smooth	0,02	72 NBR 902	BAFUDSL	12014961	●
140	170	13	A	smooth	0,05	72 NBR 902	BAU	9484	●
140	170	15	A	smooth	0,05	72 NBR 902	BA	5743	●
140	170	15	AS	smooth	0,05	72 NBR 902	BASL	9491	●
140	170	15	A	smooth	0,05	72 NBR 902	BA	9493	●
140	170	15	A	smooth	0,05	72 NBR 902	BAUX2	478568	○
140	170	15	AS	smooth	0,05	72 NBR 902	BAUSLX2	49011061	●
140	180	12	A	smooth	0,02	72 NBR 902	BAFUD	12011089	●
140	180	12	A	smooth	0,05	72 NBR 902	BAUX2	49037538	●
140	230	15	AS	grooved	0,05	72 NBR 902	BAUSLX27	451930	●
140	230	15	A	grooved	0,05	72 NBR 902	BAUX27	532980	●
140	250	15	A	grooved	0,05	72 NBR 902	BAUX27	467792	●
140	250	15	AS	grooved	0,05	72 NBR 902	BAUSLX27	467868	●
145	170	13	AS	smooth	0,05	72 NBR 902	BAUSLX2	49016145	●
145	170	15	A	smooth	0,05	72 NBR 902	BAU	106590	○
145	175	15	A	smooth	0,05	72 NBR 902	BA	14163	●
145	180	13	AS	smooth	0,02	72 NBR 902	BAFUDSL	12011214	●
145	190	17	AS	smooth	0,05	72 NBR 902	BAUSLX2	470449	●
145	230	17	AS	smooth	0,05	72 NBR 902	BAUSLX2	470427	●
148	170	15	A	smooth	0,05	72 NBR 902	BA	9501	●
150	180	13	A	smooth	0,05	72 NBR 902	BA	9505	●
150	180	15	A	smooth	0,05	72 NBR 902	BAU	49010296	●
150	180	15	AS	smooth	0,05	72 NBR 902	BAUSLX2	49010594	●
150	225	15	AS	smooth	0,05	72 NBR 902	BAUSLX2	475365	●
155	174	12	A	smooth	0,05	72 NBR 902	BA	9518	●
155	180	15	AS	smooth	0,05	72 NBR 902	BAUSLX2	478569	●
155	180	15	A	smooth	0,05	72 NBR 902	BAUX2	478570	●
155	190	13	AS	smooth	0,05	72 NBR 902	BAUSLX2	478579	●
155	190	13	A	smooth	0,05	72 NBR 902	BAUX2	478580	●
155	225	12	AS	smooth	0,05	72 NBR 902	BAUSLX2	522354	●
160	185	10	A	smooth	0,05	72 NBR 902	BA	36952	●

● Available from stock ○ On request: Tool is available, delivery at short notice



d_1	d_2	b	DIN 3761	Outer surface	Pressure	Material	Type	Article No.	
160	185	14	A	smooth	0,05	72 NBR 902	BAU	331905	●
160	190	15	A	smooth	0,05	72 NBR 902	BAU	2627	●
160	190	15	AS	smooth	0,05	72 NBR 902	BASL	122255	●
160	190	15	A	smooth	0,05	72 NBR 902	BAU	323701	○
160	190	15	AS	smooth	0,05	72 NBR 902	BAUSLX2	49030496	●
160	240	14	AS	smooth	0,05	72 NBR 902	BAUSLX2	475366	●
160	290	18	AS	grooved	0,05	72 NBR 902	BAUSLX27	452148	●
160	290	18	A	grooved	0,05	72 NBR 902	BAUX27	452149	●
162	190	12	AS	smooth	0,05	72 NBR 902	BAUSLX2	478561	●
162	190	12	A	smooth	0,05	72 NBR 902	BAUX2	478563	●
165	190	13	A	smooth	0,05	72 NBR 902	BA	9529	●
170	200	15	A	smooth	0,05	72 NBR 902	BA	31453	●
170	200	15	AS	grooved	0,02	72 NBR 902	BAFUDSLX7	364313	●
174	190	5	A	smooth	0,05	72 NBR 902	BAUSL	406551	○
175	200	15	A	smooth	0,05	72 NBR 902	BAU	526213	●
175	205	15	A	smooth	0,05	72 NBR 902	BA	9550	●
180	210	15	A	grooved	0,02	72 NBR 902	BAFUDX27	346139	●
185	210	13	A	grooved	0,02	72 NBR 902	BAFUDX27	334281	●
190	220	12	A	smooth	0,05	72 NBR 902	BAUSL	9561	●
190	220	15	A	smooth	0,05	72 NBR 902	BAU	11458	○
190	220	15	A	grooved	0,02	72 NBR 902	BAFUDX27	334745	●
190	225	16	AS	smooth	0,05	72 NBR 902	BAUSLX2	478703	●
190	225	16	A	smooth	0,05	72 NBR 902	BAUX2	478704	●
200	230	15	A	smooth	0,05	72 NBR 902	BA	31464	●
200	230	15	A	smooth	0,05	72 NBR 902	BAUSL	349992	●
210	240	15	A	smooth	0,05	72 NBR 902	BA	2546	●
215	240	12	A	smooth	0,05	72 NBR 902	BAUX2	9577	●
215	250	16	A	smooth	0,05	72 NBR 902	BAU	9580	●
220	250	15	AS	grooved	0,05	72 NBR 902	BAUSLX7	49027671	●
220	250	15	A	grooved	0,02	72 NBR 902	BAUX7	49027702	●
230	255	15	A	smooth	0,05	72 NBR 902	BAUX2	49020472	●
230	260	15	A	smooth	0,05	72 NBR 902	BA	14221	●
230	260	15	AS	smooth	0,05	72 NBR 902	BASL	28250	●
240	270	15	A	smooth	0,05	72 NBR 902	BAU	9592	●
240	270	15	AS	smooth	0,05	72 NBR 902	BAUSLX2	478705	●
240	270	15	A	smooth	0,05	72 NBR 902	BAUX2	478706	○

● Available from stock ○ On request: Tool is available, delivery at short notice

d ₁	d ₂	b	DIN 3761	Outer surface	Pressure	Material	Type	Article No.	
250	280	15	A	smooth	0,05	72 NBR 902	BA	38350	●
250	280	15	AS	smooth	0,05	72 NBR 902	BAUSLX2	478708	●
255	290	12	A	smooth	0,05	72 NBR 902	BAU	303665	●
285	325	16	A	smooth	0,05	72 NBR 902	BA	9600	●
300	340	16	A	smooth	0,05	72 NBR 902	BA	9603	●
300	340	16	AS	grooved	0,05	72 NBR 902	BAUSLX7	346539	●
335	375	18	A	smooth	0,05	72 NBR 902	BA	9608	●
394	420	16	A	smooth	0,05	72 NBR 902	BA	9611	●
394	420	16	AS	smooth	0,05	72 NBR 902	BASL	528215	●
400	425	15	A	smooth	0,05	72 NBR 902	BA	355085	●
400	450	20	A	smooth	0,05	72 NBR 902	BA	10569	●
480	520	20	A	smooth	0,05	72 NBR 902	BA	10579	●
500	550	20	A	smooth	0,05	80 NBR 709	BAU	10580	●
560	610	20	A	smooth	0,05	80 NBR 709	BA	10582	●
600	640	20	A	smooth	0,05	72 NBR 902	BA	307130	●

● Available from stock ○ On request: Tool is available, delivery at short notice