

AIR LINE SERVICE UNIT - REGULATOR SERIES

Specification / Flow and Pressure characteristics

CHELIC PNEUMATIC



Symbol :

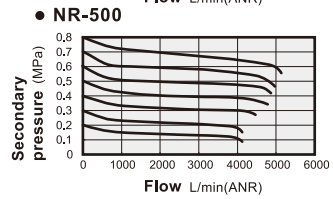
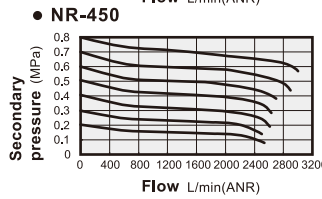
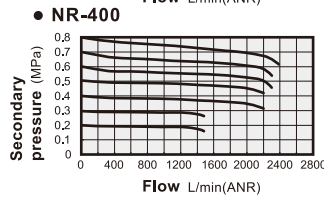
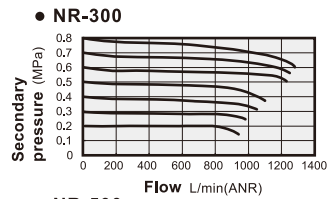
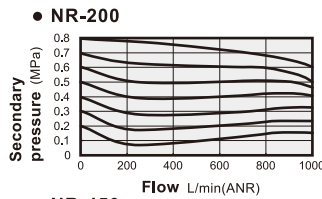
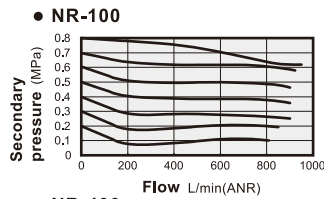


New

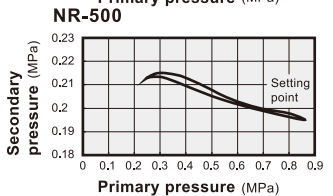
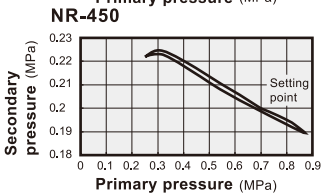
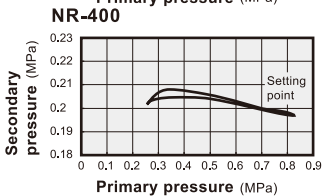
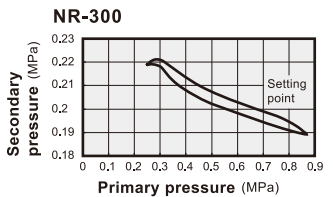
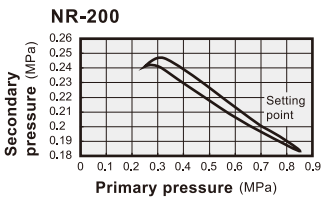
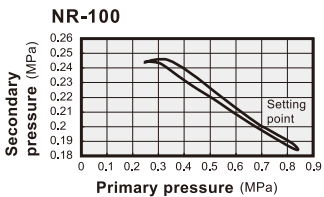
Specification

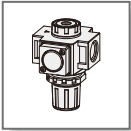
Item	Model	NR-100	NR-200	NR-300	NR-400	NR-450	NR-500
Fluid		Air					
Tubing connection	Rc	M5, 1/8"	1/8", 1/4"	1/4, 3/8"	1/4", 3/8", 1/2"	1/2, 3/4"	3/4", 1"
Pressure range	kgf/cm ² (kpa)	0.5~8.5(50~850)					
Max. service pressure	kgf/cm ² (kpa)	9.5(950)					
Temperature	°C	5~60					
Weight	kg	0.18	0.21	0.34	0.45	0.85	1.15
Main unit material		Aluminum die cast					

Flow characteristic



Pressure characteristic





AIR LINE SERVICE UNIT - REGULATOR SERIES

Order expression

CHELIC PNEUMATIC

How to order

NR - 300 — 03 — G — PG 10 — L2 — Bracket

Model (1) — Tubing connection (2) — Thread type (3) — Pressure gauge (4) — Most adjustable pressure (5) — Bracket (6)

Model	Tubing connection							
	Code	M5	01	02	03	04	06	10
	Port size	M5	1/8	1/4	3/8	1/2	3/4	1"
NR - 100	Port connection	●	●					
NR - 200			●	●				
NR - 300				●	●			
NR - 400				●	●	●		
NR - 450						●	●	
NR - 500							●	●

Thread type			
None	G	N	
	Type		
M5	RC	G	NPT
●	●	●	●
●	●	●	●
●	●	●	●
●	●	●	●
●	●	●	●

PG-05
 ■ None : (Standard)
 Circle pressure gauge
 ※ For N100 series

PG-22N
 ■ None : (standard)
 (Square pressure gauge)
 (Thin mounting type)

PG-10A
 PG-10A: Pressure gauge (option)
 ※ N200, N300, N400, N450, N500 series (option)
 (※ Please refer to P.1-1.102 for pressure gauge)

Most adjustable pressure	
None	standard 8.5 kg/cm ²
L1	1 kg/cm ²
L2	2 kg/cm ²
L4	4 kg/cm ²

※ For NR200 series (option)

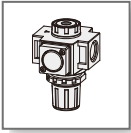
Bracket
 ■ None : With bracket (standard)

Pressure gauge - (4)

Pressure gauge		NR-100	NR-200	NR-300	NR-400	NR-450	NR-500
Model	Order code						
PG-05	P5	● (standard)	—	—	—	—	—
PG-10	P10	—	● (option)	● (option)	● (option)	● (option)	● (option)
PG-22N	P22	—	●	●	●	●	●

Note: (standard) : Standard accessory; (option) : Optional accessory

- NC**
F.R.L.
COMBINATIONS
- NFC**
F.R.L.
COMBINATIONS
- PSN-10,30,41**
PRESSURE
SWITCH
- NFR**
FILTER
REGULATOR
- MFR**
MIST FILTER
REGULATOR
- MFRD**
MICRO MIST
FILTER REGULATOR
- NF**
AIR FILTER
- MF**
MIST
SEPARATOR
- MFD**
MICRO MIST
SEPARATOR
- NR**
REGULATOR
- NL**
LUBRICATOR
- N** series
Mounting
bracket
- DM**
LARGE -
SIZED FILTER
- ER**
PRECISION
REGULATOR
- PG/AFB**
NDV/AD
- AC/BC/CC**
F.R.L.
COMBINATIONS
- AFC/BFC/CFC**
F.R.L.
COMBINATIONS
- FR**
FILTER
REGULATOR
- F**
AIR FILTER
- R**
REGULATOR
- L**
LUBRICATOR
- PFC/PFR**
PF/PL
- A/B/C** series
Mounting
bracket



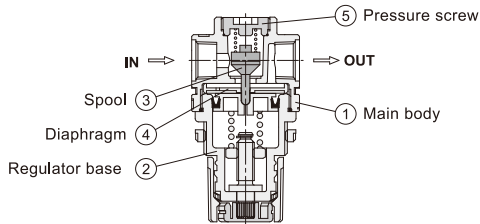
AIR LINE SERVICE UNIT - REGULATOR SERIES

Internal structure

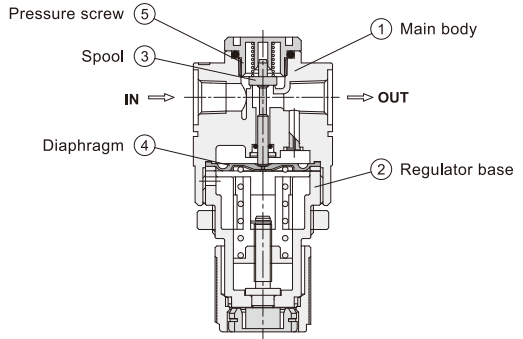
CHELIC PNEUMATIC

Internal structure

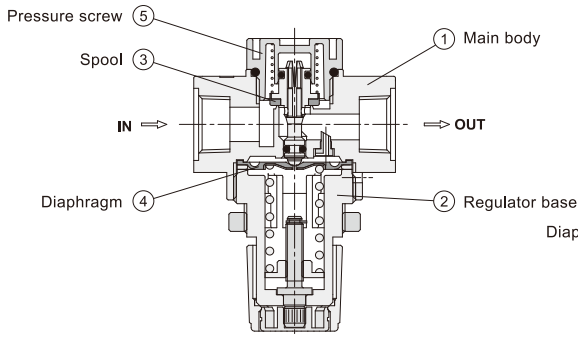
● NR-100



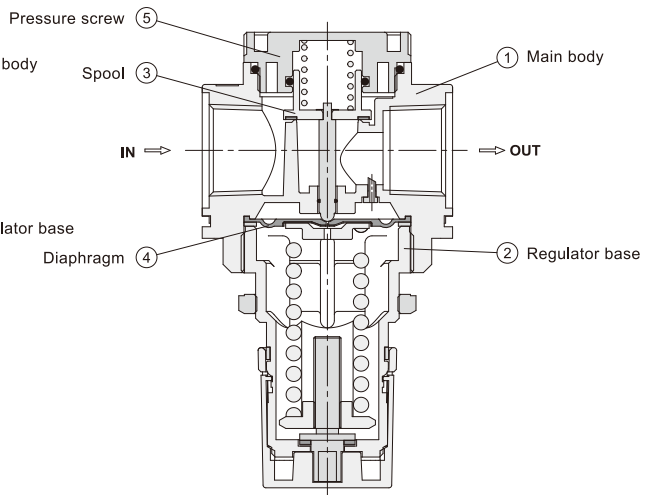
● NR-200



● NR-300,400,450



● NR-500



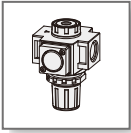
Compose accessory

Number	Accessory	Material		Note
		NR100 · NR200 · NR300 · NR400 · NR450	NR500	
1	Main unit	Aluminum alloy		
5	Regulator base	Aldehyde resin	Aluminum alloy	

Air Filter exchange accessory

Number	Accessory	Material					Note
		NR100	NR200	NR300	NR400	NR450	
2	Spool	Copper + NBR					
3	Diaphragm	POM	Stainless steel + NBR				
4	Pressure screw	POM			Aluminum alloy		

🔍 Note : NR 100 is piston type. And consist of piston and washer.

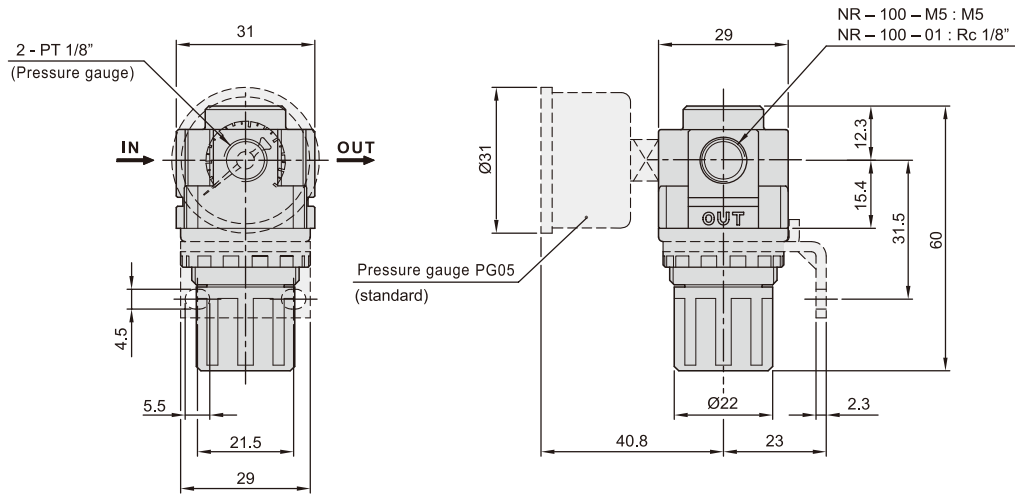


AIR LINE SERVICE UNIT - REGULATOR SERIES

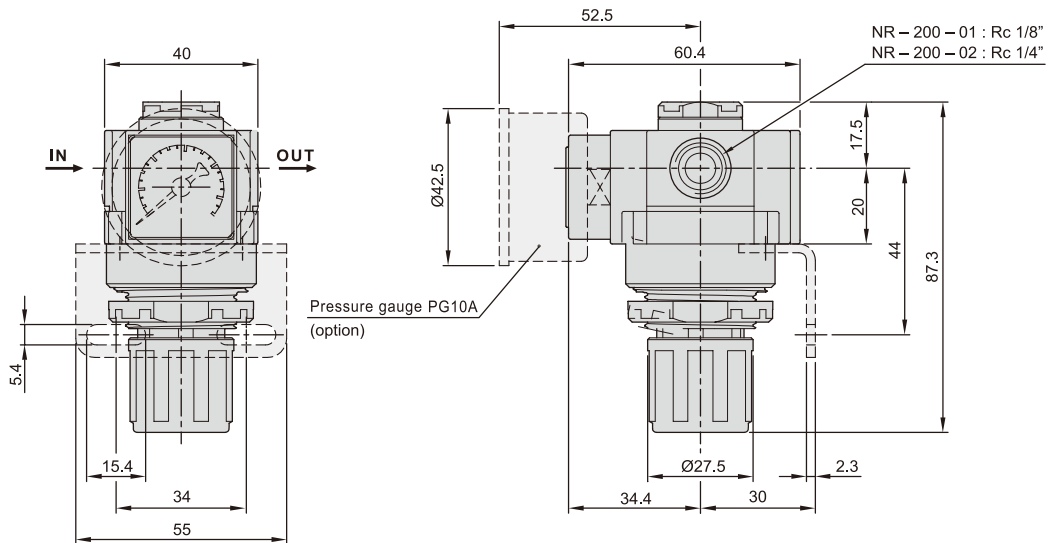
External dimensions

CHELIC PNEUMATIC

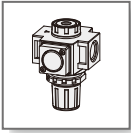
NR - 100 Standard



NR - 200 Standard



NC
F.R.L. COMBINATIONS
NFC
FR.L. COMBINATIONS
PSN-10,30,41
PRESSURE SWITCH
NFR
FILTER REGULATOR
MFR
MIST FILTER REGULATOR
MFRD
MICRO MIST FILTER REGULATOR
NF
AIR FILTER
MF
MIST SEPARATOR
MFD
MICRO MIST SEPARATOR
NR
REGULATOR
NL
LUBRICATOR
N series
Mounting bracket
DM
LARGE-SIZED FILTER
ER
PRECISION REGULATOR
PG/AFB
NDV/AD
AC/BC/CC
F.R.L. COMBINATIONS
AFC/BFC/CFC
FR.L. COMBINATIONS
<input type="checkbox"/> FR
FILTER REGULATOR
<input type="checkbox"/> F
AIR FILTER
<input type="checkbox"/> R
REGULATOR
<input type="checkbox"/> L
LUBRICATOR
PFC/PFR
PF/PL
A/B/C series
Mounting bracket

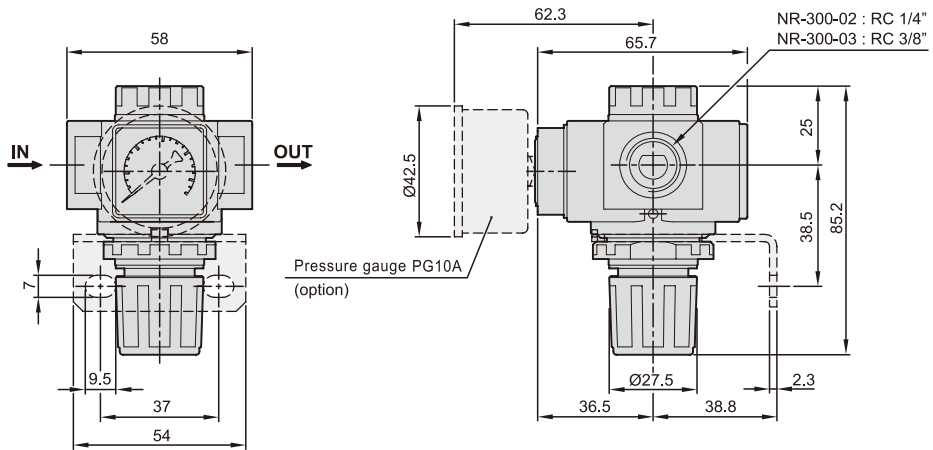


AIR LINE SERVICE UNIT - AIR FILTER SERIES

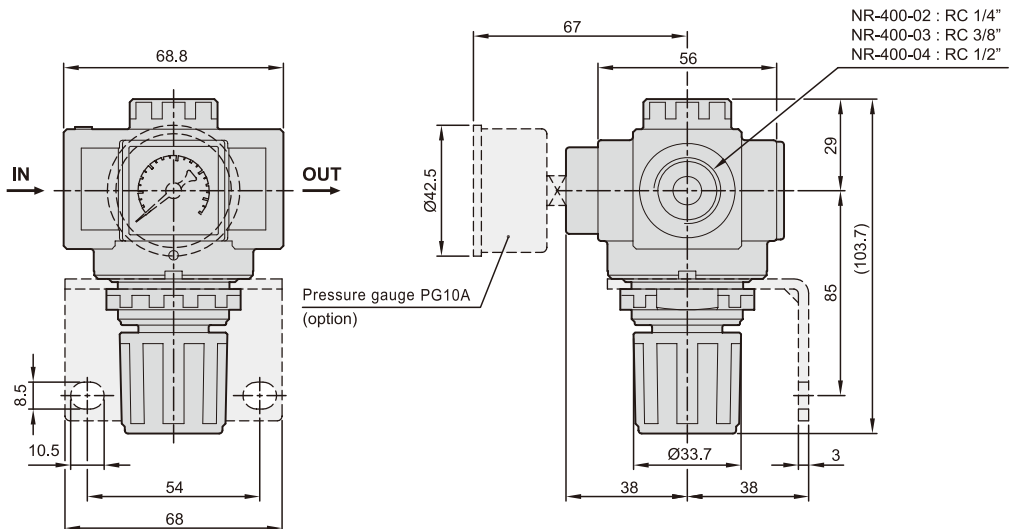
External dimensions

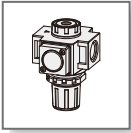
CHELIC PNEUMATIC

NR - 300 Standard



NR - 400 Standard



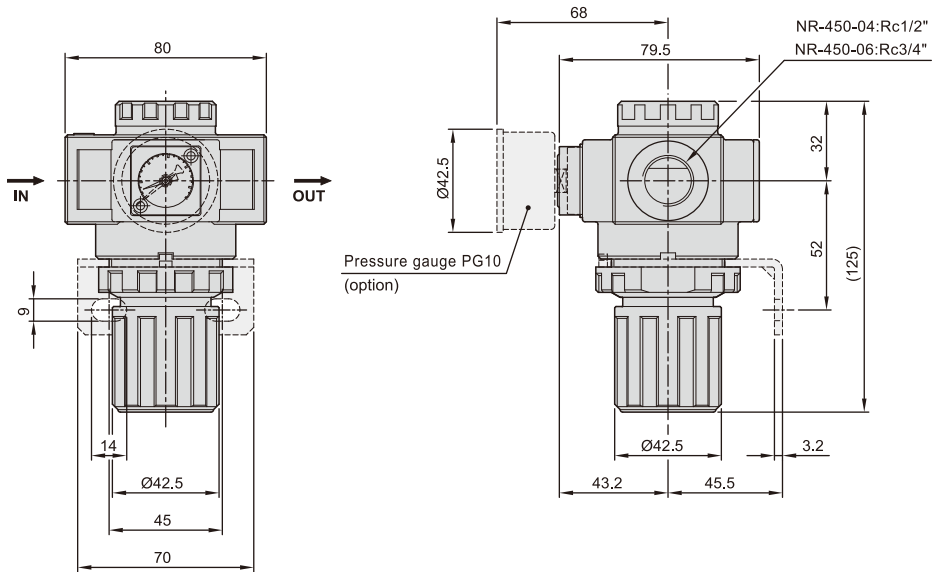


AIR LINE SERVICE UNIT - AIR FILTER SERIES

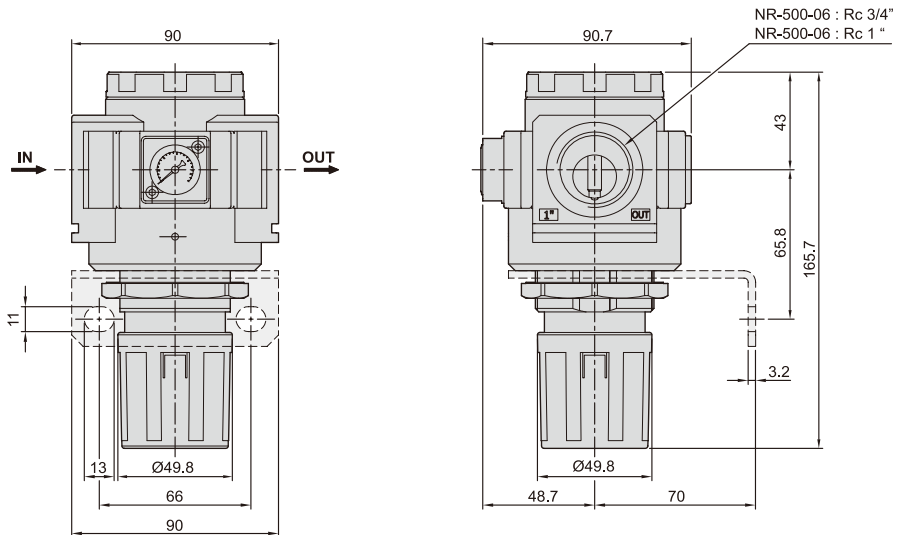
External dimensions

CHELIC PNEUMATIC

NR - 450 Standard



NR - 500 Standard



- NC**
F.R.L.
COMBINATIONS
- NFC**
F.R.L.
COMBINATIONS
- PSN-10,30,41**
PRESSURE
SWITCH
- NFR**
FILTER
REGULATOR
- MFR**
MIST FILTER
REGULATOR
- MFRD**
MICRO MIST
FILTER REGULATOR
- NF**
AIR FILTER
- MF**
MIST
SEPARATOR
- MFD**
MICRO MIST
SEPARATOR
- NR**
REGULATOR
- NL**
LUBRICATOR
- N** series
Mounting
bracket
- DM**
LARGE -
SIZED FILTER
- ER**
PRECISION
REGULATOR
- PG/AFB**
NDV/AD
- AC/BC/CC**
F.R.L.
COMBINATIONS
- AFC/BFC/CFC**
F.R.L.
COMBINATIONS
- FR**
FILTER
REGULATOR
- F**
AIR FILTER
- R**
REGULATOR
- L**
LUBRICATOR
- PFC/PFR**
PF/PL
- A/B/C** series
Mounting
bracket