

UM 3.5 ELECTRIC ACTUATOR

FEATURES

The UMA 3.5 electric actuator is intended for motorising, ¼ turn valves with a torque of 35Nm. With a compact construction and plastic housing, it is especially well suited for motorising small-size ball valves and butterfly valves. IP65 leak-tightness: it can be used indoors and outdoors under a shelter.

AVAILABLE MODELS

Supply voltages: 230V AC and 24V AC/DC

LIMITS OF USE

IP Code	IP 65
Ambient temperature	- 10°C / +55°C
Service factor	S4-30%

MECHANICAL FEATURES

Gear box	treated steel pinions
Torque	35 Nm
Angle of rotation	90° +/- 5°
Declutching	Button
Override control	by key

Actuator	UMA 3,5			UMA 3,5
Voltage	230V AC	24V AC / DC		230V AC
Manoeuvring time (s)	12	15s (AC)	16s (DC)	40
ISO 5211	F03 / F05 – star 14			

ELECTRICAL FEATURES

Motor protection	Thermal switch
Limit switches	2 adjustable switches
Auxiliary switches	2 adjustable dry switches
Anti-condensation	as an option
UM 3.5 electrical connection	2 C.G. ½" PF

Actuator	UMA 3,5		UMA 3,5
Voltage	230V AC	24V AC/DC	230V AC
Power (W)	10	3	10
Current (A)	0.25	0.15	0.25

Information given as an indication only, and subject to possible modifications

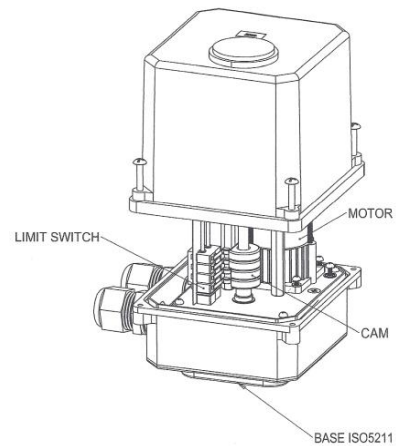


	SECTORIEL S.A. 45 rue du Ruisseau 38290 SAINT QUENTIN-FALLAVIER – FRANCE Telephone: +33 4 74 94 90 – Fax : +33 4 74 94 13 95 www.sectoriel.fr / Email : sectoriel@sectoriel.fr	Pages	1/2
		Ref.	FT2206 ENG
		Rev.	11
		Date	03/2016

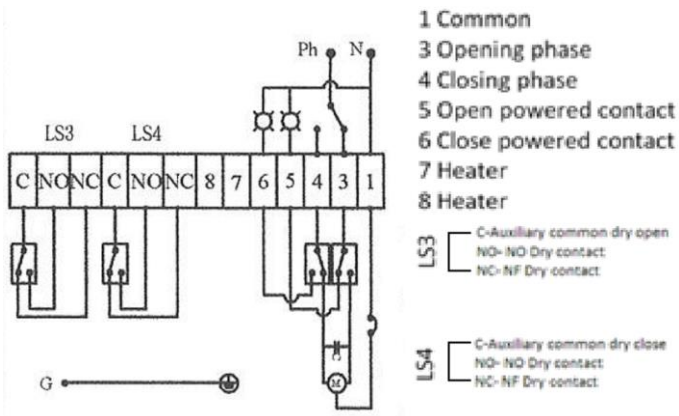
UM 3.5 ELECTRIC ACTUATOR

CONSTRUCTION

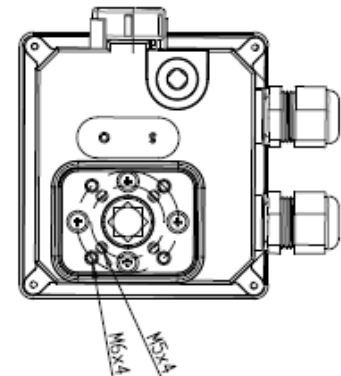
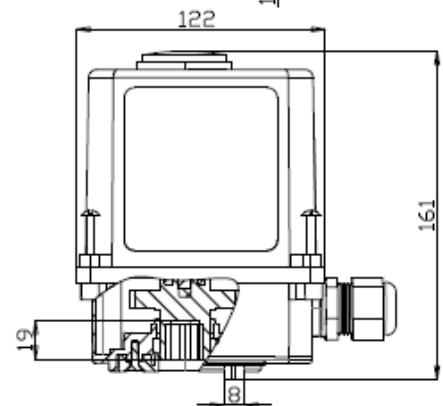
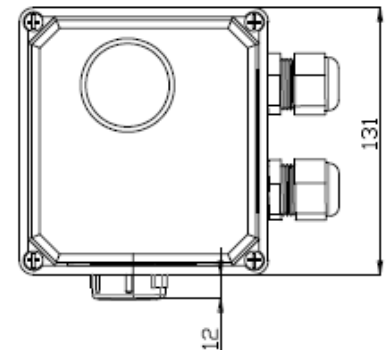
Housing	PA 66 plastic
Cover	PA 66 plastic
Gear boxes	Treated steel
Stem end	Star
Adjustable cams	Steel
Position indicator	Plexiglas



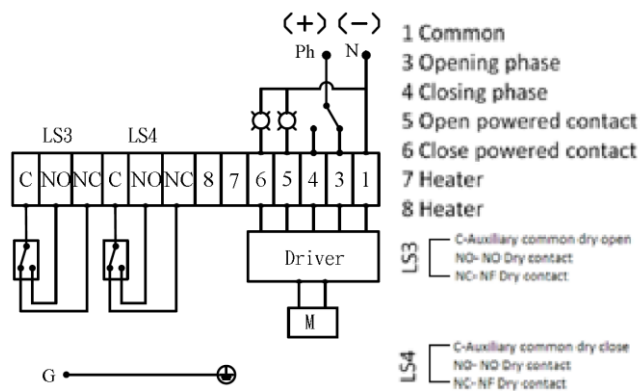
WIRING DIAGRAM 230V AC



DIMENSIONS (mm)



WIRING DIAGRAM 24V AC/DC



Information given as an indication only, and subject to possible modifications



SECTORIEL S.A.
 45 rue du Ruisseau
 38290 SAINT QUENTIN-FALLAVIER – FRANCE
 Telephone: +33 4 74 94 90 – Fax : +33 4 74 94 13 95
www.sectoriel.fr / Email : sectoriel@sectoriel.fr

Pages	2/2
Ref.	FT2206 ENG
Rev.	11
Date	03/2016