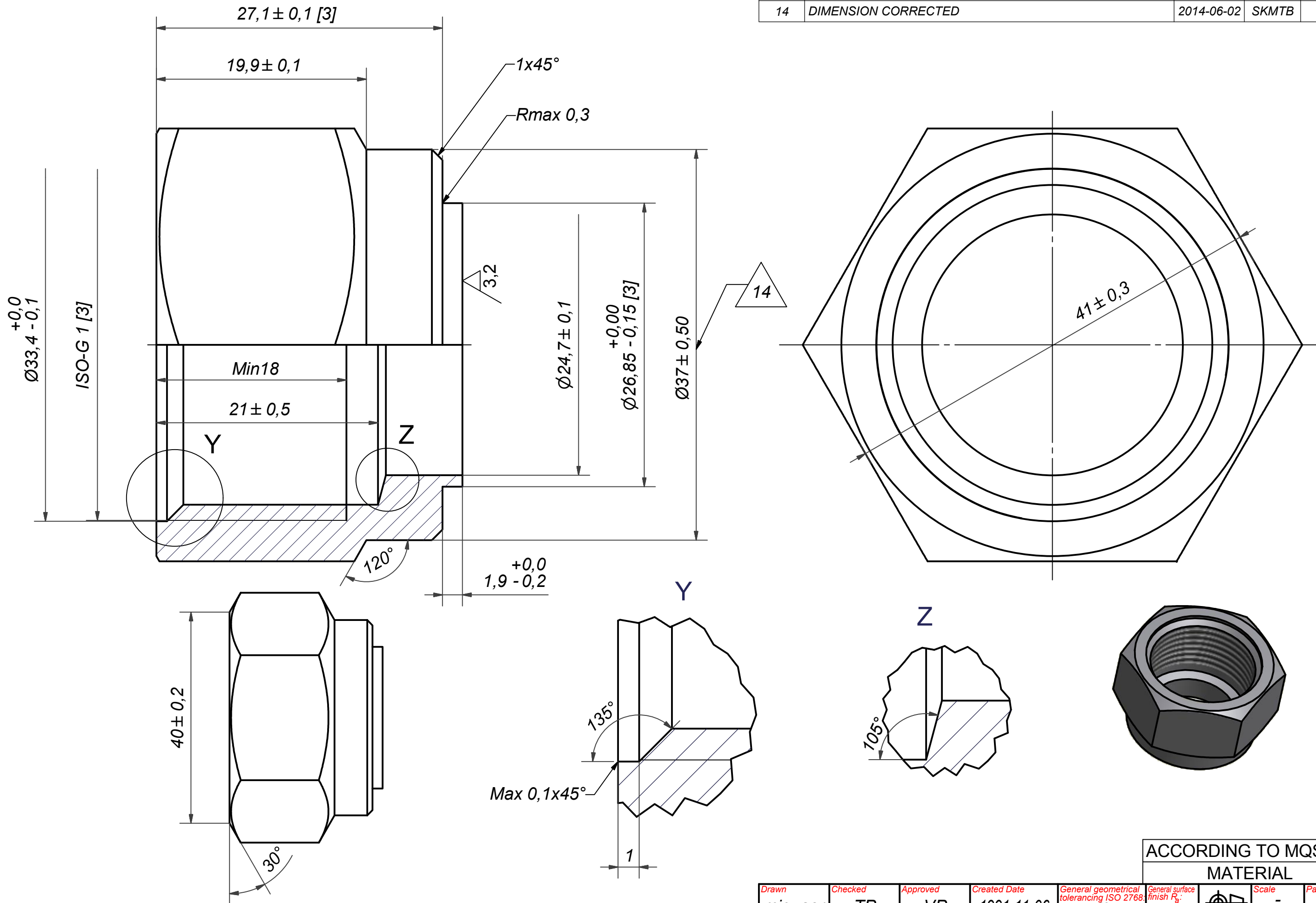


Rev No	Alteration	Date	Checked	Approved
14	DIMENSION CORRECTED	2014-06-02	SKMTB	VP



© Company Confidential, Property of SWEP International AB

NOTE 2: DEBURR SHARP EDGES ; MAX 0,4
NOTE 1:[3] - CRITICAL/SPECIAL CHARACTERISTIC TO BE FOLLOWED

ACCORDING TO MQS
MATERIAL

Drawn	Checked	Approved	Created Date	General geometrical tolerancing ISO 2768:	General surface finish R_a :	Scale	Paper size
miguser	TP	VP	1991-11-06	m	3.2	-	A3
			ISO-G 1 INT. HEX.				
			Article number	Design Type	Drawing number	Revision	Sheet
			-	CD	CD000001	14	1 (1)