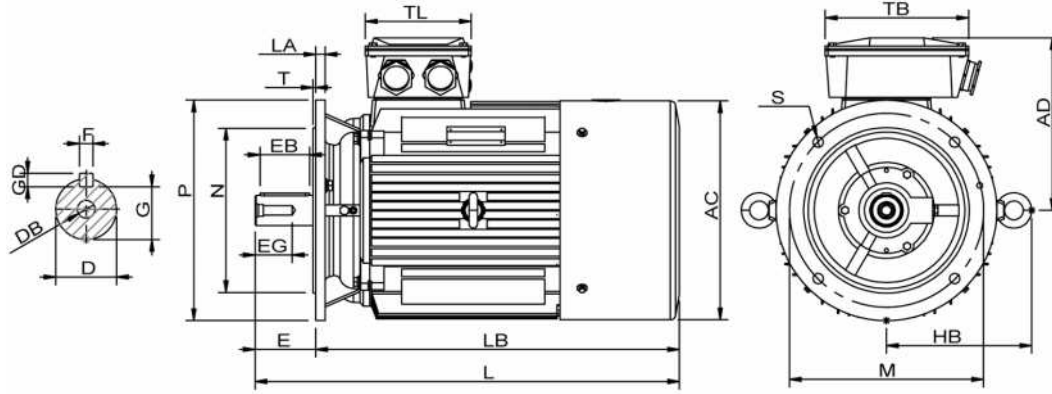


Data Sheet

Itemnumber....: 3261601209



AC = 313	DB = M16	EG = 36	GD = 8	L = 652	M = 300	S = 4-Ø18.5	TL = 162
AD = 277	E = 110	F = 12	H = 160	LA = 15	N = 250	T = 5	
D = 42	EB = 90	G = 37	HB = 222	LB = 542	P = 350	TB = 218	

Version

Type.....: HMC2 160L-6
 Design.....: Induction motor
 Standard series.....: IEC 60034
 Phase / Voltage range.....: 3~ / Low

Electrical design

Efficiency.....: IE2
 Pole.....: 6
 Power at 50 Hz (kW).....: 11,0
 Hz.....: 60 (60 Hz output)
 Voltage.....: 440VD 60 Hz
 Winding voltage.....: 400VD/690VY 50 Hz
 Power output (kW).....: 12,8
 Duty.....: S1
 Insulation class.....: F
 Temperature rise.....: B

Motor protection

Thermal protection main....: PTC 3x 155 dgr
 Thermal protection second.: None
 Space heater.....: 1x 230V
 Temperature detector.....: No
 SPM.....: No
 IR wire.....: No
 Tropical insulation.....: Yes

Explosion protection

According to.....: None

General

Direction of rotation.....: CW
 Painting.....: RAL 9005 Gloss 10
 Nameplate.....: Multivoltage + VFD
 Special packing.....: No
 Special requirements.....: No

Mechanical design

Frame size.....: 160
 Mounting.....: B5
 Rain cap.....: No
 Protection class.....: IP55
 Cooling method.....: IC411/TEFC
 External grounding.....: Yes
 Drain hole.....: Yes
 Frame material.....: Cast Iron
 Material approval.....: None
 Shaft.....: IEC Standard
 Key.....: Closed key
 Balancing.....: Half key balancing
 Vibration class.....: Grade-A
 Weight (kg).....: 144

Environment condition

Ambient temp. min. (°C)..: -20
 Ambient temp. max. (°C)..: 45
 Altitude (mtr up to).....: 1000

Bearing

DE Bearing.....: 6309-ZZ/C3
 NDE Bearing.....: 6309-ZZ/C3
 Fixed bearing.....: DE

Terminal box

Tbox position.....: Top
 Cable entry direction.....: Right (from DE)
 Cable entry
 Main.....: 2 x M40x1,5
 Ø22-32mm metal
 Accessory.....: 2 x M20x1,5
 Metal blindcaps
 Connection type.....: Delta (D)
 Terminal board thread.....: 6-M6

Test values

Rotor inertia (kgm²).....: 0,16
 Noise level (dB(A)).....: 62
 No load current (A).....: 12,0
 Winding resist. (ohm).....: 0,51
 Starting time (sec.).....: 0,08
 Temp. rise winding (K).....: 57
 Temp. rise surface (K).....: 46

Rated power (kW)	11,0	10,6	13,2	12,8
Frequency (Hz)	50	50	60	60
Voltage (V)	400 690	380 660	480 830	440
Connection	D Y	D Y	D Y	D
Full load current (A)	23,4 13,6	24,2 14,0	23,4 13,6	24,2
Speed (rpm)	970	970	1160	1160
Power factor cos(phi)	0,77	0,78	0,77	0,79
Efficiency, 100/75/50 (%)	88,6/89,1/88,1	88,6/89,1/88,1	88,6/89,1/88,1	87,8/88,3/87,3
Ist/In	6,2	5,5	6,2	5,7
Full load torque (Nm)	108	104	108	104
Tst/Tn	2,5	2,3	2,5	2,2
Tmax /Tn	2,3	2,2	2,3	2,0
Duty	S1	S1	S1	S1
Ambient temp. (°C)	40	45	40	45