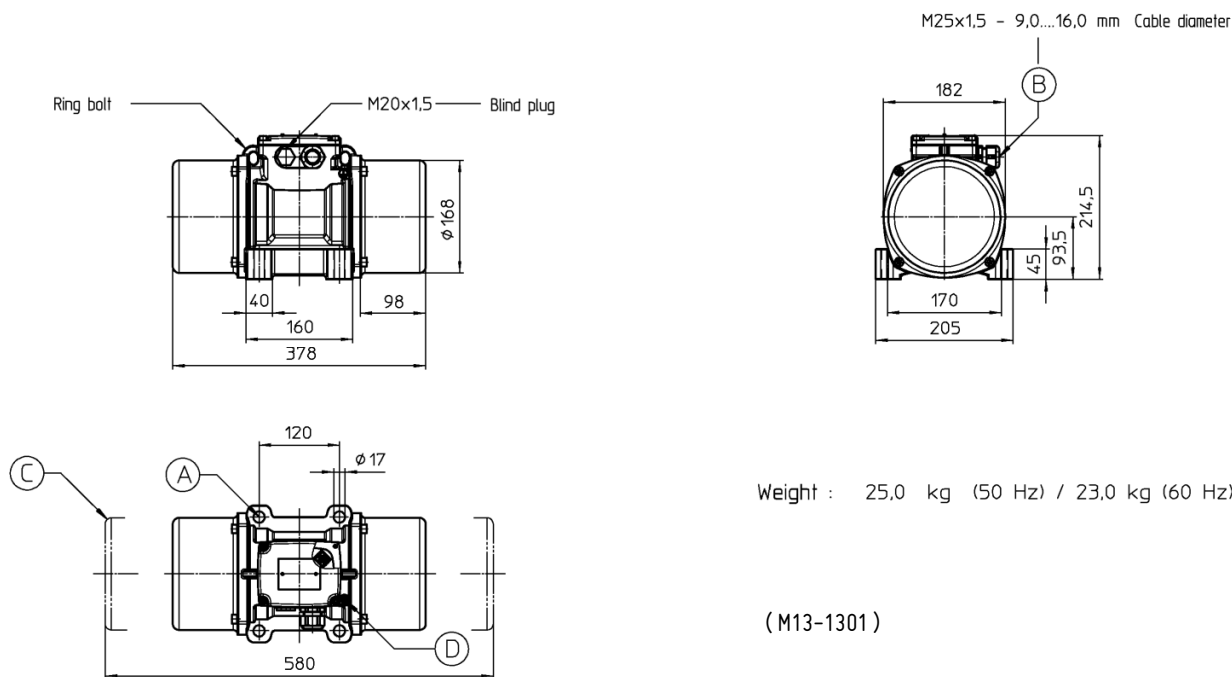


# Unbalance motor UVE 7X-A2.1



Weight : 25.0 kg (50 Hz) / 23.0 kg (60 Hz)

( M13-1301 )

- (A) — Mounting screws required: 4 pieces (M16) — Screw tightening torque: 210 Nm (Bolt quality: 8.8)
- (B) — Observe the degree of protection (IP Code) according to the type label, cable diameter and cable gland must match!
- (C) — Observe the required space for mounting the protective hoods!
- (D) — Grounding screw

Electrical specifications									
Housing size	Mains frequency	Standard coils	Code number AVITEQ	Nominal current	Input power	Power factor	I <sub>A</sub> /I <sub>N</sub>	Number of poles	Motor speed, synchronous
30	50Hz	200-230V (1-phase)	57043	2.15A	0.450kW	0.53	5.44	4	1,500min <sup>-1</sup>
		220-240/380-415V (3-phase)	57041	1.60/0.92A	0.525kW	0.73	3.48		
		254-305/440-525V (3-phase)	57042	1.27/0.74A					
		380-400/660-690V (3-phase)	62741	0.92/0.53A					
	60Hz	110-120V (1-phase)	57044	5.15A	0.550kW	0.55	3.63		1,800min <sup>-1</sup>
		190-220/330-380V (3-phase)	62204	1.87/1.08A	0.665kW	0.74	3.43		
		220-277/380-480V (3-phase)	57045	1.70/0.98A					

Mechanical specifications							
Housing size	Mains frequency	Centrifugal force	Working moment	Working weight range (double drive)	Degree of protection (EN 60529)	Bearing	Sound pressure level
30	50Hz	7,060N	57.2kgcm	140...715kg	IP66	6309 2Z C4 WT	<70dB(A)
	60Hz	7,460N	41.8kgcm	145...655kg			

**Further information:**

Insulation class: F  
 Construction: can be operated at all positions  
 Rotation: C.W. and C.C.W.  
 Permissible number of starts per hour: 15  
 Allowed ambient temperature: -20...+55°C (Special version with heater for temperatures below -20°C possible on request)  
 Standard coloring (housing): RAL 5018, powder-coated (...other colorings possible on request)  
 Bearing service life-hours (L10 Basis): approx. 17,200h (50Hz) / 12,200h (60Hz) (no re-lubrication possible) with max. centrifugal force  
 Service factor: 1.15  
 CSA-approval: Yes (...only for non-hazardous areas)  
 ATEX-approval: LCIE 07 ATEX 6020 X - II 2 D tD A21 IP66 T 135°C