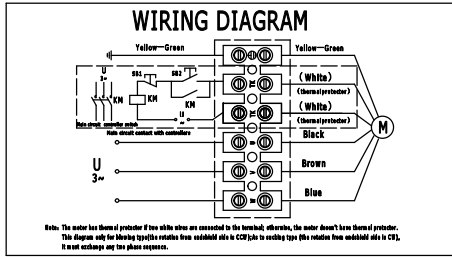


DRAWING NO

Wiring diagrams:

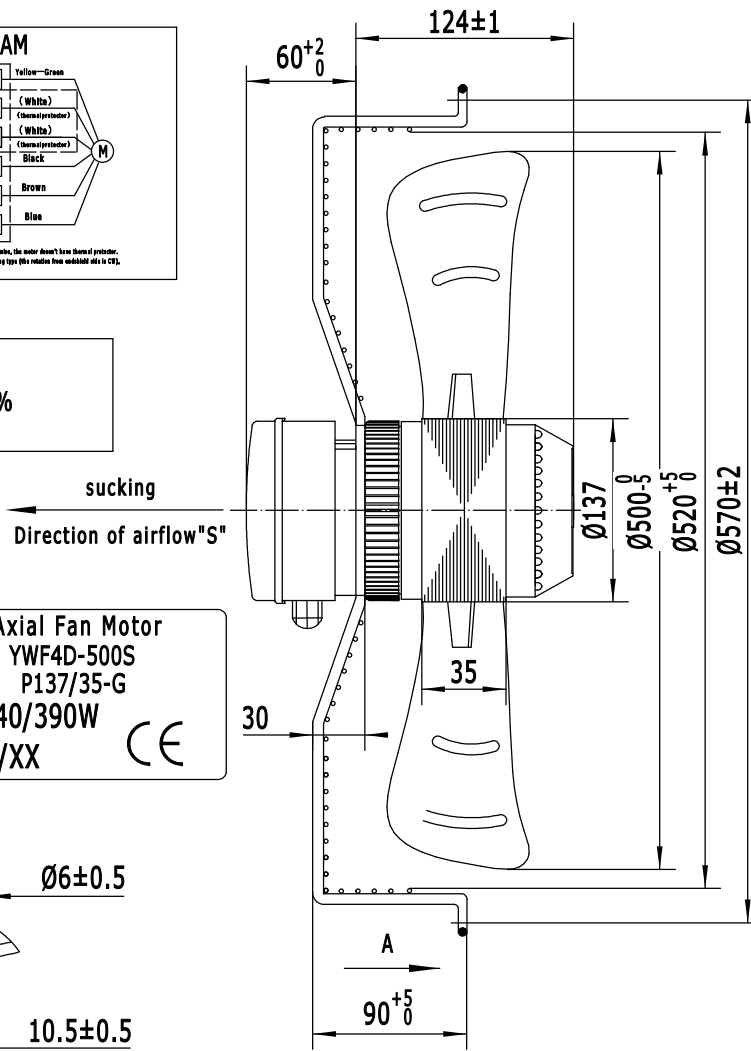
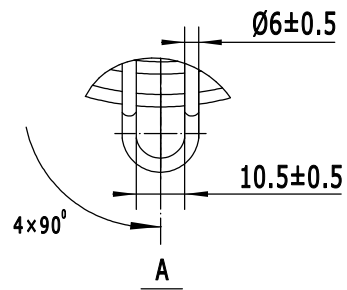


ErP2015 LABEL:

ErP2015 (N40)  
 N=41.49  $\eta_{statA} = 32.8\%$   
 YWF4D-500S-P137/35

LABEL:

**WEIGUANG** Axial Fan Motor  
 YWF4D-500S  
 P137/35-G  
 380V 50Hz 0.99A 240/390W  
 1370r/min CL.B XX/XX



**WEIGUANG** Axial fan motor

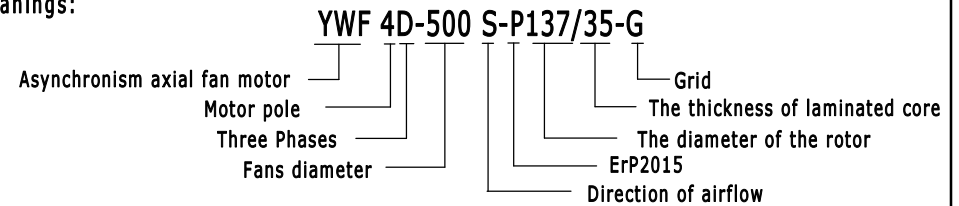
HANGZHOU WEIGUANG ELECTRONIC CO.,LTD

Unit: axial fan motor	Type:
Motor: Three phases motor	Customer:
Motor type: YWF4D-500S-P137/35-G	Customer-type:

TYPE	Voltage v	Frequency Hz	Input power W	Current A	Speed r/min +/-5%	Air volume m <sup>3</sup> /h	noise level dBA	capacitor µ F/ VDB
YWF4D-500S-P137/35-G	380	50	390	0.99	1370	7087(20Pa)	71	/

Insulation class : B	Operating type: S <sub>1</sub>
Permissible ambient temperature : -30~60°C	Temperature increase: $\Delta T \leq 75k$
Motor protection:thermocontact 135±5°C	Bearings: ball bearings
	License: CE CCC

Model meanings:



Electrical connection: lead wire Silikon 6G 0.75mm<sup>2</sup>, Length 100mm in terminal box connected  
 Direction of rotation: clockwise(sucking), Airflow direction: "S" looking at rotor side

APPROX. WEIGHT

MEANS

REV.	DESCRIPTION	APPROVED	DATE	DECIMAL	TOLERANCE	SIGN	DATE	TITLE	
				X	±0.5	DRN. BY		YWF4D-500S-P137/35-G	
				X.X	±0.25	CHD. BY			
				X.XX	±0.15	ENG. BY			
				ANGLE	±3°	APP. BY			
								PROJECTION	A4 SCALE SHEET: of