

NON-ADJUSTABLE HYDRAULIC SERIES

These non-adjustable hydraulic shock absorbers can accommodate varying energy conditions. This family of tamper proof shock absorbers provides consistent performance, cycle after cycle. Models are available which absorb maximum energy in a compact envelope size. Others are ideally suited for soft stops at high impact velocities.

Features and Benefits



Extensive product line offers flexibility in both size and energy absorption capacity to fulfill a wide range of application requirements.



Tamper proof design assures repeatable performance.



Special materials and finishes available to meet specific customer requirements.



Optional fluids and seal packages are available to expand the standard operational temperature range from (-10°C to 80°C) to (-30°C to 100°C).



Threaded cylinders provide mounting flexibility and increase surface area for improved heat dissipation.



Enicote™ surface protection maintains the original quality appearance and provides long-term corrosion resistance.



Strict quality standards result in reliable, long-life operation.



PM PM PM PM PM PM PM PM PM PM PM PM PM PM PM

The **PM Series** uses a self-compensating design to provide energy absorption in low velocity and high drive force applications.

Models can accommodate a wide range of operating conditions with varying masses or propelling forces.



PRO PRO PRO PRO PRO PRO PRO PRO PRO PRO PRO PRO PRO PRO PRO

The **PRO Series** has unique progressive damping and a multi-orifice design providing softer stops for medium to high impact velocities and fragile loads.

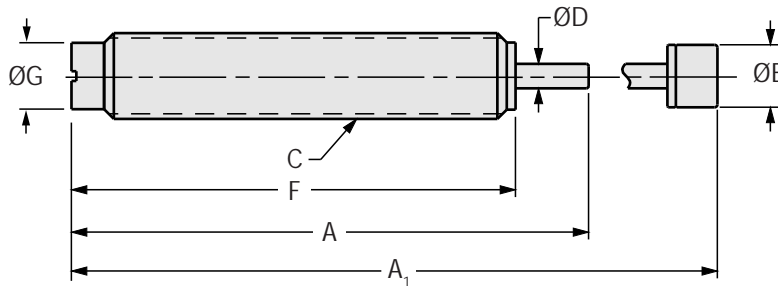
Models can accommodate a wide range of operating conditions.

NON-ADJUSTABLE HYDRAULIC SERIES

Engineering Data

PM

PMX 8 → PM 100



Catalog No.		Bore Size mm	(S) Stroke mm	(E _T) Max. Nm Per Cycle	(E _{T,C}) Max. Nm Per Hour	(F _p) Max. Shock Force N	Nominal Coil Spring Force		(F _p) Max. Propelling Force N	Model Weight
(Model)	Damping Constant						Extension N	Compression N		
PMX 8 (B)	-1, -2, -3	4,6	6	3,0	5 650	890	2,7	5,6	200	16g
PMX 10 (B)	-1, -2, -3	6,0	7	6,0	12 400	1 600	2,2	4,5	350	23 g
SPM 25 (B)	-1, -2, -3	7,0	12	17,0	29 000	2 220	6,0	13,0	890	65 g
PM 25 (B)	-1, -2, -3	7,0	16	21,5	34 000	2 220	4,4	16,0	890	71 g
SPM 50 (B)	-1, -2, -3	11,0	12	25,4	45 000	3 110	6,0	15,0	1 600	123 g
PM 50 (B)	-1, -2, -3	11,0	22	45,0	53 700	3 110	9,0	30,0	1 600	200 g
PM 100 (B)	-1, -2, -3	13,0	25	73,5	70 000	4 440	14,0	27,0	2 220	285 g
PM 120	-1, -2, -3	16,0	25	125,0	75 700	7 550	56,0	87,0	3 100	455 g
PM 220	-1, -2, -3	16,0	50	250,0	90 300	7 550	22,0	87,0	3 100	625 g
PM 1525	-1, -2, -3	20,0	25	226,0	126 000	17 800	49,0	68,0	6 700	0,95 Kg
PM 1550	-1, -2, -3	20,0	50	452,0	166 000	17 800	47,0	78,0	6 700	1,1 Kg
PM 1575	-1, -2, -3	20,0	75	678,0	200 000	17 800	32,0	78,0	6 700	1,2 Kg
PM 2050	-1, -2, -3	30,0	50	1 130,0	270 000	44 500	76,0	155,0	17 800	2,9 g
PM 2100	-1, -2, -3	30,0	100	2 260,0	360 000	44 500	69,0	160,0	17 800	3,4 g
PM 2150	-1, -2, -3	30,0	150	3 390,0	421 000	44 500	90,0	285,0	17 800	4,3 g

1. PMX 8, PMX 10 and SPM 25 have 1,5 mm inch wide screwdriver slot.

2. (B) indicates button model of shock absorber. Buttons cannot be added to non-button models or removed from button models.

TK

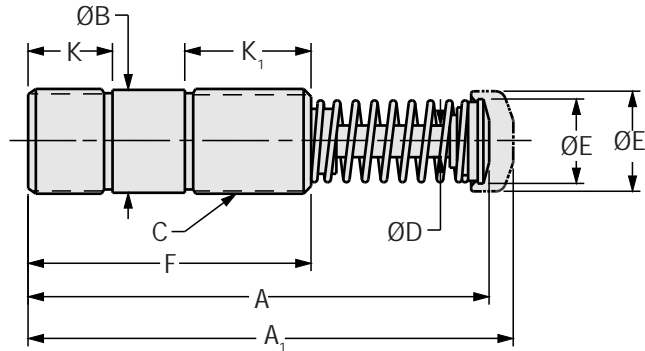


Catalog No.		Bore Size mm	(S) Stroke mm	(E _T) Max. Nm Per Cycle	(E _{T,C}) Max. Nm Per Hour	(F _p) Max. Shock Force N	Nominal Coil Spring Force		(F _p) Max. Propelling Force N	Model Weight
(Model)	Damping Constant						Extension N	Compression N		
TK 21 M	-1, -2, -3	7,1	6,4	2,2	4 100	700	2,9	5,0	89	12 g

1. Provide a positive stop to prevent internal bottoming of the shock absorber.

NON-ADJUSTABLE HYDRAULIC SERIES

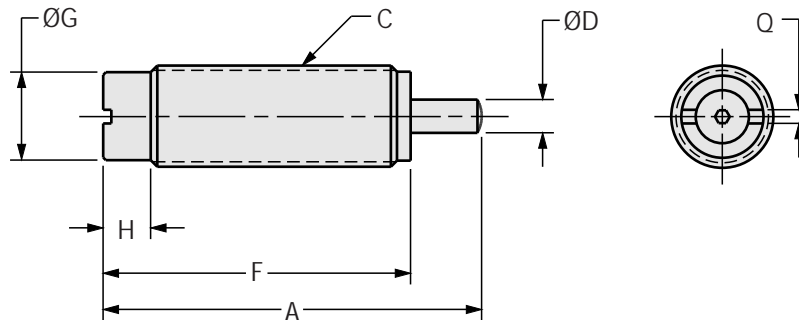
PM 120 → PM 2150



A	A ₁	B	C	D	E	E ₁	F	G	K	K ₁	(S) Stroke mm	Catalog No.	
												Damping Constant	(Model)
47,0	57,0	NA	(MF) M8 x 0,75 (MC) M8 x 1,0	2,5	6,8	NA	40,9	6,6	NA	NA	6	-1, -2, -3	PMX 8 (B)
54,0	64,0	NA	(MF) M10 x 1,0	3,2	8,6	NA	46,5	8,6	NA	NA	7	-1, -2, -3	PMX 10 (B)
82,3	91,8	NA	(MF) M14 x 1,0 (MC) M14 x 1,5	4,0	11,2	NA	69,1	11,4	NA	NA	12	-1, -2, -3	SPM 25 (B)
98,4	108,0	NA	(MF) M14 x 1,0 (MC) M14 x 1,5	4,0	11,2	NA	82,2	10,8	NA	NA	16	-1, -2, -3	PM 25 (B)
90,0	102,0	NA	(MC) M20 x 1,5	4,8	12,7	NA	76,3	16,3	NA	NA	12	-1, -2, -3	SPM 50 (B)
124,0	137,0	NA	(MC) M20 x 1,5	4,8	12,7	NA	98,7	16,3	NA	NA	22	-1, -2, -3	PM 50 (B)
133,0	146,0	NA	(MF) M25 x 1,5 (MC) M27 x 3,0	6,4	15,7	NA	106,4	22,2	NA	NA	25	-1, -2, -3	PM 100 (B)
138,0	144,0	33	(MF) M33 x 1,5	9,5	25,4	30,5	85,4	NA	25,5	38	25	-1, -2, -3	PM 120
189,0	195,0	33	(MF) M33 x 1,5	9,5	25,4	30,5	110,7	NA	25,5	54	50	-1, -2, -3	PM 220
144,0	162,0	45	(MF) M45 x 1,5	12,7	38,0	44,5	92,0	NA	35,0	38	25	-1, -2, -3	PM 1525
195,0	213,0	45	(MF) M45 x 1,5	12,7	38,0	44,5	118,0	NA	35,0	60	50	-1, -2, -3	PM 1550
246,0	264,0	45	(MF) M45 x 1,5	12,7	38,0	44,5	143,0	NA	35,0	73	75	-1, -2, -3	PM 1575
226,0	243,0	64	(MF) M64 x 2,0	19,0	50,0	57,0	140,0	NA	38,0	70	50	-1, -2, -3	PM 2050
328,0	345,0	64	(MF) M64 x 2,0	19,0	50,0	57,0	191,0	NA	38,0	95	100	-1, -2, -3	PM 2100
456,0	473,0	64	(MF) M64 x 2,0	19,0	60,0	60,0	241,0	NA	38,0	121	150	-1, -2, -3	PM 2150

3. A, and E₁ apply to urethane striker cap accessory.

All dimensions in millimeters.



A	C	D	F	G	H	Q	(S) Stroke mm	Catalog No.	
								Damping Constant	(Model)
35,4	M10 x 1,0	3,2	28,7	8,2	4,4	1,2	6,4	-1, -2, -3	TK 21 M

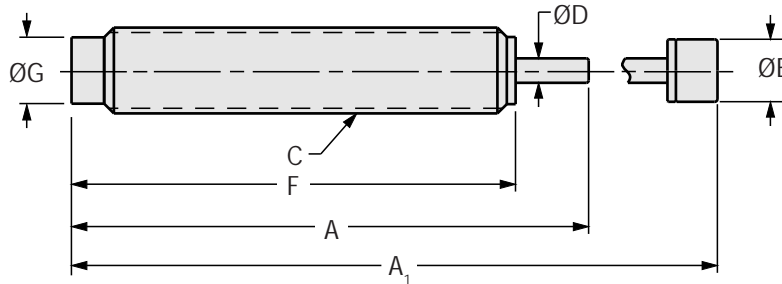
All dimensions in millimeters.

NON-ADJUSTABLE HYDRAULIC SERIES

Engineering Data

PRO

PRO 15 → PRO 100



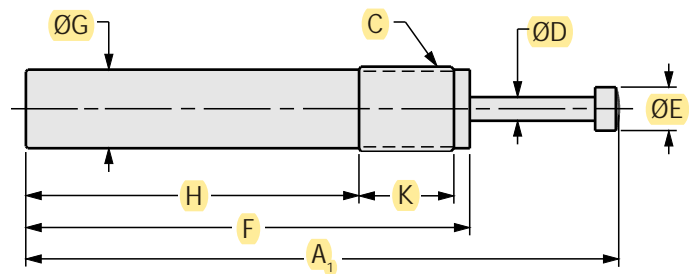
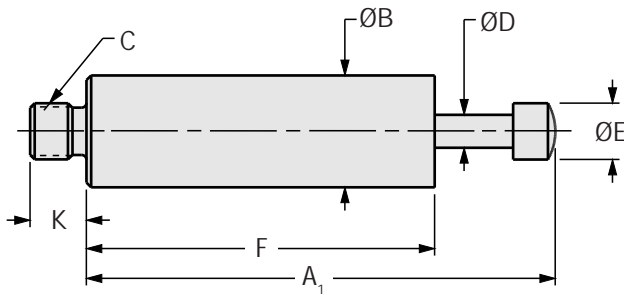
Catalog No.		Bore Size mm	(S) Stroke mm	(E _T) Max. Nm Per Cycle	(E _T C) Max. Nm Per Hour	(F _p) Max. Shock Force N	Nominal Coil Spring Force		(F _p) Max. Propelling Force N	Model Weight (g)
(Model)	Damping Constant						Extension N	Compression N		
PRO 15 (B)	-1, -2, -3	6	10	5,0	14 125	1 000	3	7	220	42
PRO 25 (B)	-1, -2, -3	7	16	21,5	34 000	2 225	4	16	530	71
PRO 50 (B)	-1, -2, -3	11	22	45,0	53,700	3 110	9	30	890	200
PRO 100 (B)	-1, -2, -3	13	25	73,5	70,000	4 440	14	27	1 550	285
PRO 110	-1, -2, -3	14	40	190,0	75 000	7 500	18	49	2 220	454
PRO 125	-1, -2, -3	16	25	125,0	91 000	7 500	40	58	2 220	565
PRO 225	-1, -2, -3	16	50	250,0	111 000	7 500	22	58	2 220	740

1. (B) indicates button model of shock absorbers. Buttons cannot be added to non-button models or removed from button models.

SH/TK

SH .25M → SH 1.0M

SH 1.0M x 2

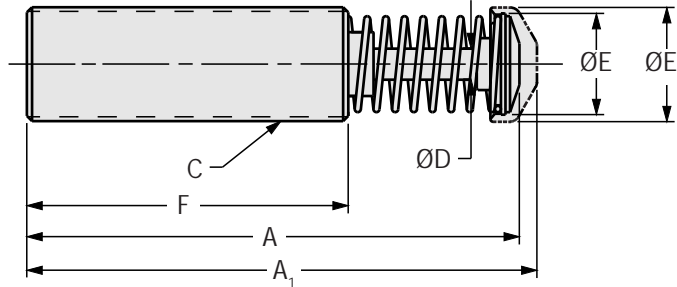


Catalog No. (Model)	Bore Size mm	(S) Stroke mm	(E _T) Max. Nm Per Cycle	(E _T C) Max. Nm Per Hour	(F _p) Max. Shock Force N	Nominal Coil Spring Force		Model Weight (g)
						Extension N	Compression N	
SH .25 M	11,2	6,0	11	3 400	2 730	11	18	56
STH .25 M	11,2	6,0	11	4 420	2 730	11	18	79
SH .5 M	14,5	12,5	65	34 000	8 000	18	31	113
STH .5 M	14,5	12,5	65	44 200	8 000	18	31	218
SH .75 M	19,5	19,0	245	68 000	19 600	35	89	312
STH .75 M	19,5	19,0	245	88 400	19 600	35	89	500
SH 1.0 M	25,4	25,0	500	113 000	29 800	98	235	590
STH 1.0 M	25,4	25,0	500	147 000	29 800	98	235	726
SH 1.0 x 2 M	25,4	50,0	1 000	181 000	29 800	66	133	771
STH 1.0 x 2 M	25,4	50,0	1 000	235 000	29 800	66	133	862
STH 1.5 x 1 M	35,0	25,0	1 150	250 000	65 000	90	228	1 400
STH 1.5 x 2 M	35,0	50,0	2 300	360 000	65 000	56	226	1 800
TK 10 M (B)	7,0	6,0	4	6 780	1 400	1	10	14

1. Item defined application data needed. 2. All shock absorbers will function at 5% of their rated energy per cycle. If less than 5% a smaller model should be specified.

NON-ADJUSTABLE HYDRAULIC SERIES

PRO 110 → PRO 225



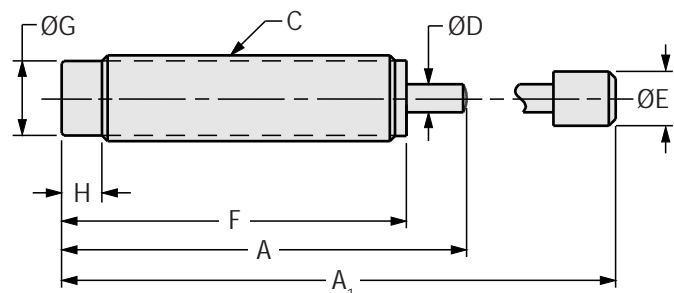
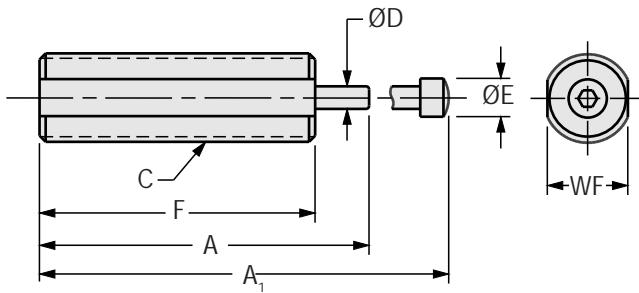
A	A ₁	C	D	E	E ₁	F	G	(S) Stroke mm	Catalog No.	
									Damping Constant	(Model)
60,0	70	(MF) M12 x 1,0	3,2	10,2	NA	50,0	10,0	10	-1, -2, -3	PRO 15 (B)
98,4	108	(MC) M14 x 1,0 (MC) M14 x 1,5	4,0	11,2	NA	82,2	10,8	16	-1, -2, -3	PRO 25 (B)
124,0	137	(MC) M20 x 1,5	4,8	12,7	NA	98,7	16,3	22	-1, -2, -3	PRO 50 (B)
133,0	146	(MF) M25 x 1,5 (MC) M27 x 3,0	6,4	15,7	NA	106,4	22,2	25	-1, -2, -3	PRO 100 (B)
201,0	205	(MF) M25 x 1,5 (MC) M25 x 2,0	8,0	22,2	22,2	127,0	21,4	40	-1, -2, -3	PRO 110
151,0	157	(MF) M36 x 1,5	9,5	31,0	35,0	98,5	NA	25	-1, -2, -3	PRO 125
202,0	208	(MF) M26 x 1,5	9,5	31,0	35,0	124,0	NA	50	-1, -2, -3	PRO 225

2. A₁ and E₁ apply to urethane striker cap accessory.

All dimensions in millimeters.

STH.25M → STH 1.5M x 2

TK 10M



A	A ₁	B	C	D	E	F	G	H	K	WF	(S) Stroke mm	Catalog No. (Model)
NA	61,6	12,7	M10 x 1,0	4,8	12,7	41,7	NA	NA	9,5	NA	6,0	SH .25M
NA	71,0	NA	M14 x 1,0	4,8	12,7	51,0	NA	NA	NA	13,0	6,0	STH .25M
NA	79,3	19,0	M10 x 1,0	5,6	9,5	59,0	NA	NA	9,5	NA	12,5	SH .5M
NA	89,0	NA	M22 x 1,5	5,6	9,5	68,5	NA	NA	NA	20,0	12,5	STH .5M
NA	114,3	25,4	M16 x 1,0	8,0	14,3	87,4	NA	NA	16,0	NA	19,0	SH .75M
NA	130,0	NA	M30 x 2,0	8,0	14,3	103,0	NA	NA	NA	27,0	19,0	STH .75M
NA	150,8	31,7	M18 x 1,5	9,5	17,5	117,5	NA	NA	19,0	NA	25,0	SH 1.0M
NA	170,0	NA	M36 x 1,5	9,5	17,5	136,5	NA	NA	NA	32,0	25,0	STH 1.0M
NA	238,2	NA	M36 x 1,5	9,5	17,5	178,3	31,7	134,0	38,0	NA	50,0	SH 1.0M x 2
NA	238,2	NA	M36 x 1,5	9,5	17,5	178,3	NA	NA	NA	32,0	50,0	STH 1.0M x 2
180,0	NA	NA	M45 x 1,5	16,0	NA	154,0	NA	NA	NA	42,0	25,0	STH 1.5M x 1
270,0	NA	NA	M45 x 1,5	16,0	NA	219,0	NA	NA	NA	42,0	50,0	STH 1.5M x 2
44,5	51,3	NA	M10 x 1,0	3,0	6,0	38,0	8,0	5,0	NA	NA	6,0	TK 10M (B)

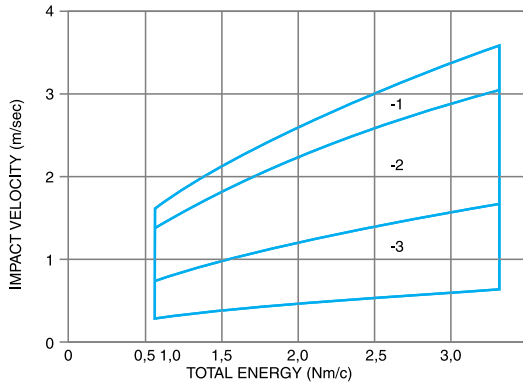
3. Provide a positive stop to prevent bottoming of the shock absorber.

All dimensions in millimeters.

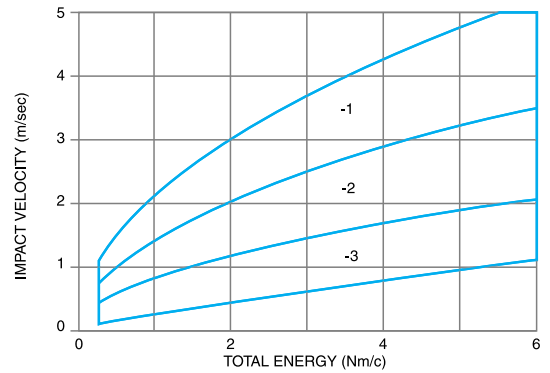
NON-ADJUSTABLE HYDRAULIC SERIES

Sizing Graphs

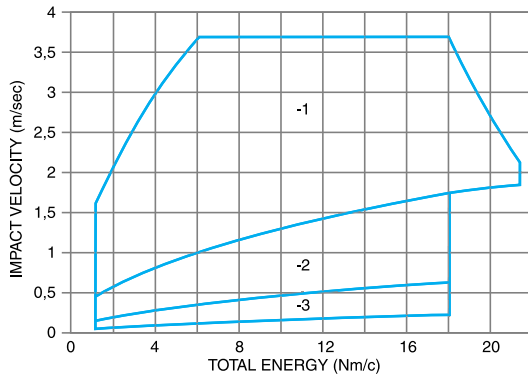
PMX 8



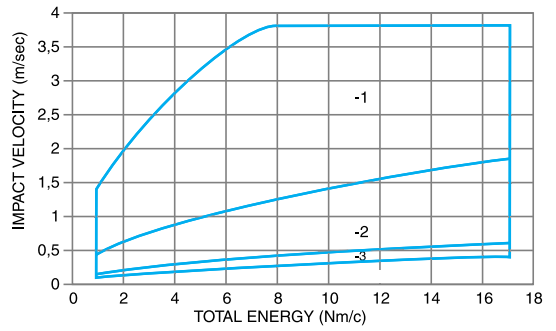
PMX 10



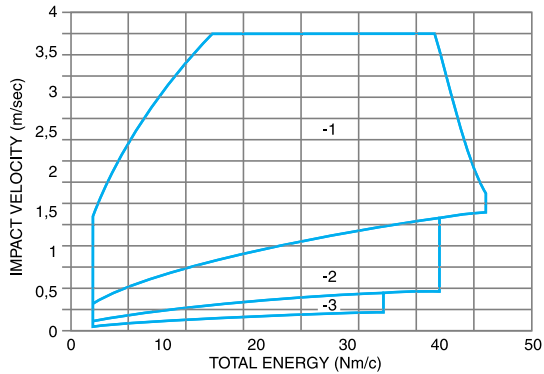
PM 25



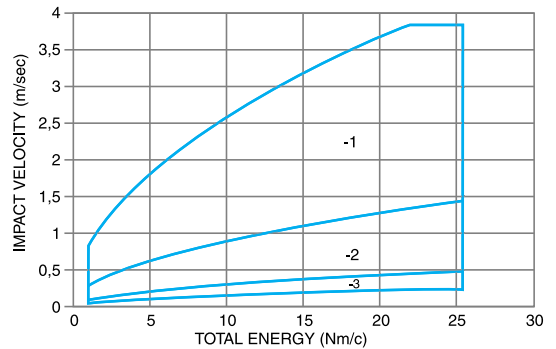
SPM 25



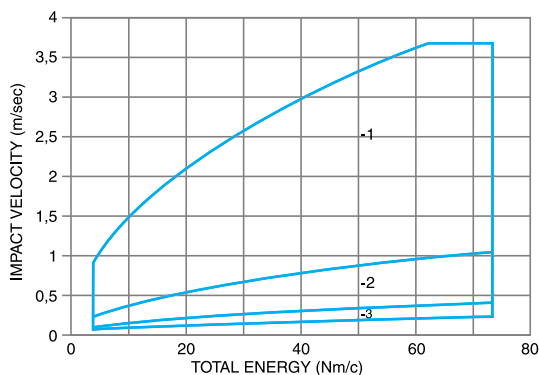
PM 50



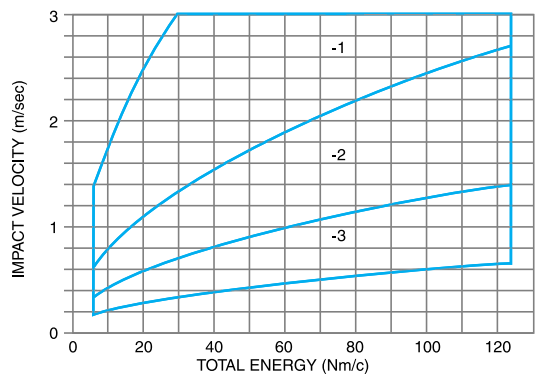
SPM 50



PM 100



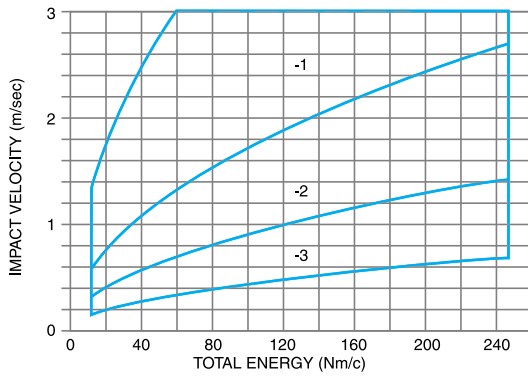
PM 120



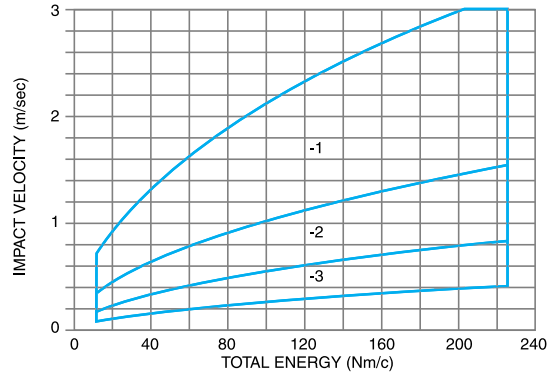
Note: Minimum impact velocity for PM models is 0,1 m/sec.

NON-ADJUSTABLE HYDRAULIC SERIES

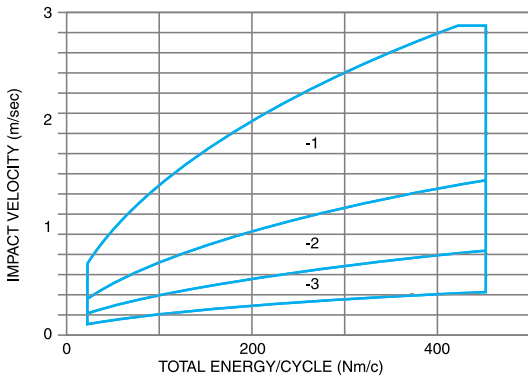
PM 220



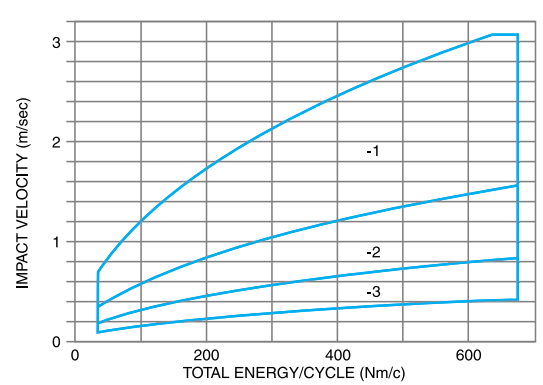
PM 1525



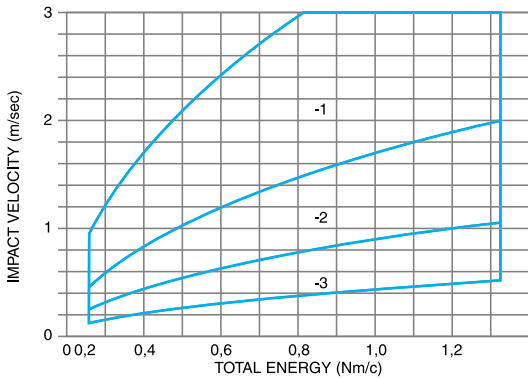
PM 1550



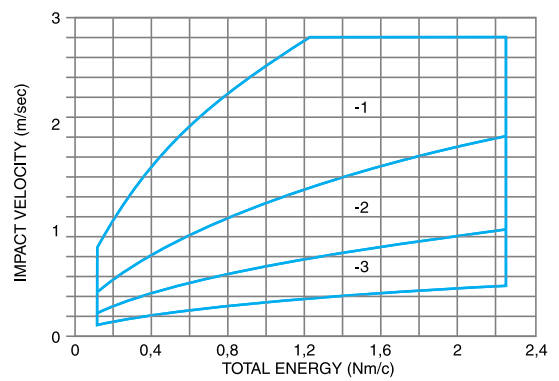
PM 1575



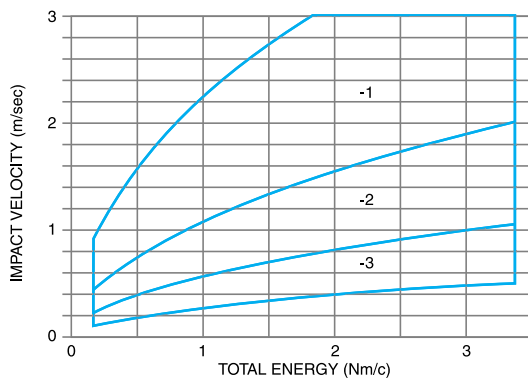
PM 2050



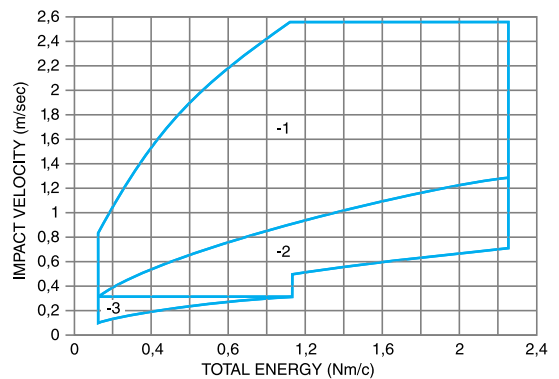
PM 2100



PM 2150



TK 21M

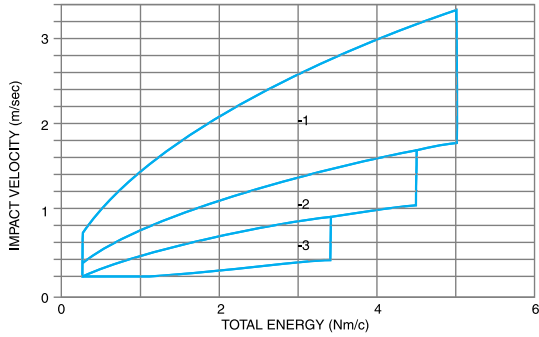


Note: Minimum impact velocity for PM models is 0,1 m/sec.

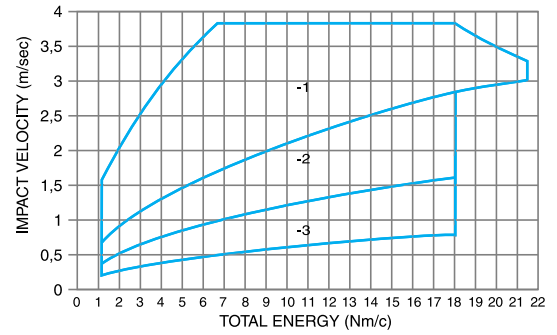
NON-ADJUSTABLE HYDRAULIC SERIES

Sizing Graphs

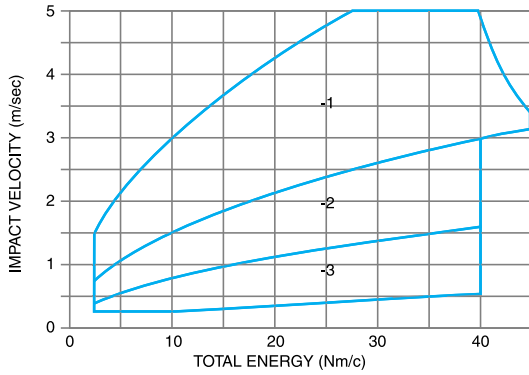
PRO 15



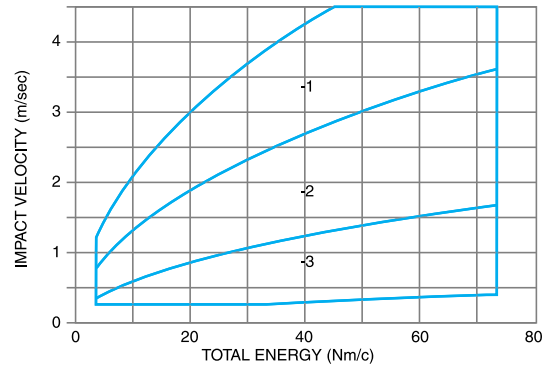
PRO 25



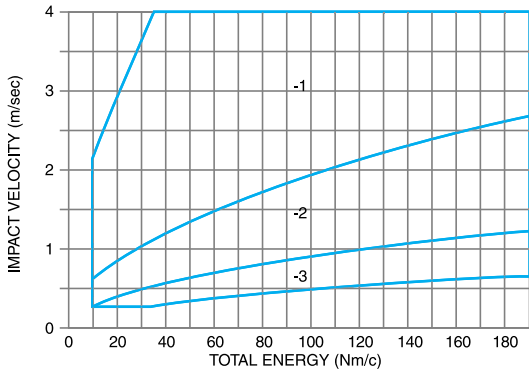
PRO 50



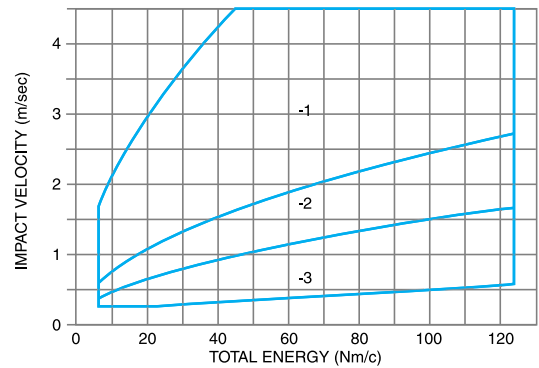
PRO 100



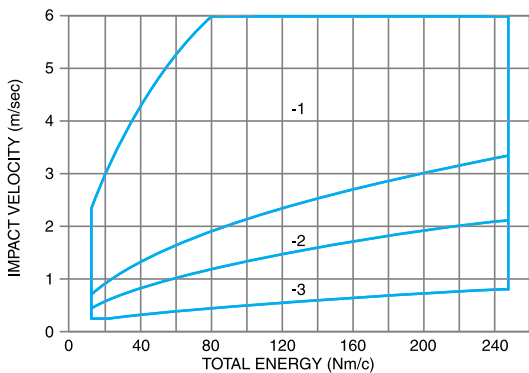
PRO 110



PRO 125



PRO 225



$$E = \frac{1}{2} MV^2$$

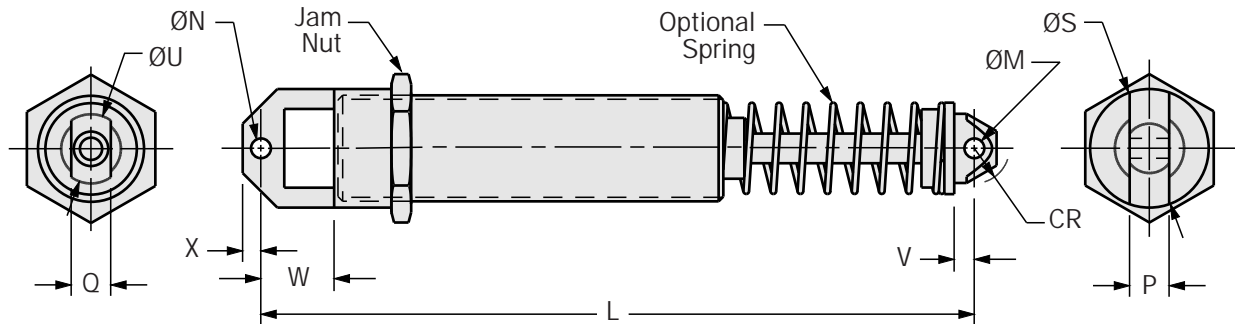
Sizing - See Page 72.

Note: Minimum impact velocity for PRO models is .25m/sec.

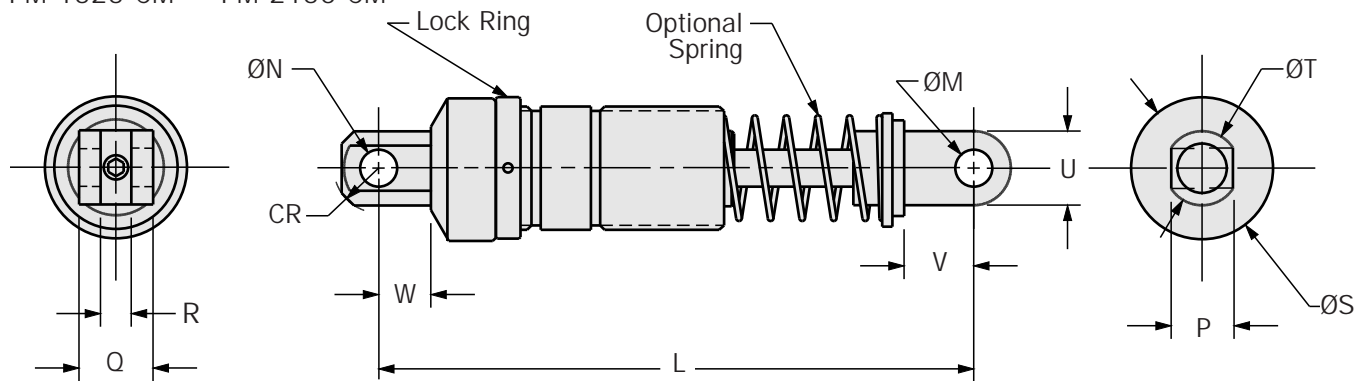
NON-ADJUSTABLE HYDRAULIC SERIES

Clevis Mounting

PM 120 CM → PM 220 CM
 PRO 110 CM → PRO 225 CM



PM 1525 CM → PM 2150 CM



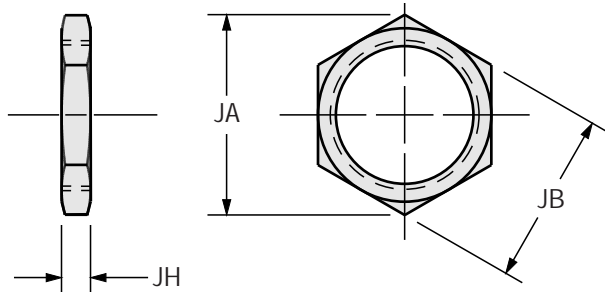
Catalog No. (Model Ref)	L	M	N	P	Q	R	S	T	U	V	W	X	CR	Model Weight Kg
PM 120 CM(S)	167	6,38 +0,10/-0,00	6,38 +0,10/-0,00	12,70 +0,00/-0,20	12,70 +0,00/-0,20	NA	38	NA	23	6	12	6,1	11,2	0,59
PM 220 CM(S)	218	6,38 +0,10/-0,00	6,38 +0,10/-0,00	12,70 +0,00/-0,20	12,70 +0,00/-0,20	NA	38	NA	23	6	12	6,1	11,2	0,77
PM 1525 CM(S)	199	9,60 +0,20/-0,00	12,70 +0,20/-0,00	19,00 +0,00/-0,20	25,4	12,9 +0,50/-0,00	51	25	25	25	22	NA	14,3	1,36
PM 1550 CM(S)	250	9,60 +0,20/-0,00	12,70 +0,20/-0,00	19,00 +0,00/-0,20	24,4	12,9 +0,50/-0,00	51	25	25	25	22	NA	14,3	1,45
PM 1575 CM(S)	300	9,60 +0,20/-0,00	12,70 +0,20/-0,00	19,00 +0,00/-0,20	25,4	12,9 +0,50/-0,00	51	25	25	25	22	NA	14,3	1,63
PM 2050 CM(S)	306	19,07 +0,20/-0,00	19,07 +0,20/-0,00	31,70 +0,00/-0,20	38,0	16,0 +0,50/-0,00	73	38	38	35	26	NA	23,0	3,72
PM 2100 CM(S)	408	19,07 +0,20/-0,00	19,07 +0,20/-0,00	31,70 +0,00/-0,20	38,0	16,0 +0,50/-0,00	73	38	38	35	26	NA	23,0	4,22
PM 2150 CM(S)	537	19,07 +0,20/-0,00	19,07 +0,20/-0,00	31,70 +0,00/-0,20	38,0	16,0 +0,50/-0,00	73	38	38	35	26	NA	23,0	5,08
PRO 110 CM(S)	211	5,00 +0,10/-0,00	5,00 +0,10/-0,00	8,00 +0,00/-0,20	8,00 +0,00/-0,20	NA	28	NA	22	11	13	5,0	7,0	0,54
PRO 125 CM(S)	180	6,38 +0,05/-0,00	6,38 +0,10/-0,00	12,70 +0,00/-0,20	12,70 +0,00/-0,20	NA	38	NA	22	6	24	6,0	11,2	0,73
PRO 225 CM(S)	230	6,38 +0,10/-0,00	6,38 +0,10/-0,00	12,70 +0,00/-0,20	12,70 +0,00/-0,20	NA	38	NA	22	6	24	6,0	11,2	0,86

All dimensions in millimeters.

NON-ADJUSTABLE HYDRAULIC SERIES

Accessories

JAM NUT

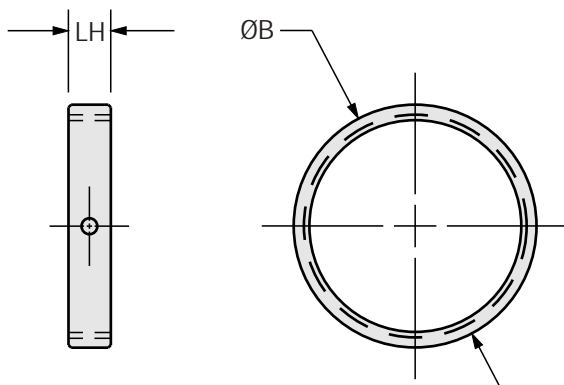


Catalog No.	Model (Ref)	JA	JB	JH	Wt (g)
JN M8 x 0,75	PMX 8 MF	14,0	12,0	4,0	2
JN M8 x 1,0	PMX 8 MC	14,0	12,0	4,0	2
JN M10 x 1,0	PMX 10 MF	15,0	13,0	3,2	2
JN M14 x 1,0	SPM 25 MF	19,7	17,0	4,0	3
JN M14 x 1,0	PM 25 MF	19,7	17,0	4,0	3
JN M14 x 1,5	SPM 25 MC	19,7	17,0	4,0	3
JN M14 x 1,5	PM 25 MC	19,7	17,0	4,0	3
JN M20 x 1,5	SPM 50 MC	27,7	24,0	4,6	9
JN M20 x 1,5	PM 50 MC	27,7	24,0	4,6	9
JN M25 x 1,5	PM 100 MF	37,0	32,0	4,6	15
JN M27 x 3,0	PM 100 MC	37,0	32,0	4,6	15
JN M33 x 1,5	PM 120 MF	47,3	41,0	6,4	27

Catalog No.	Model (Ref)	JA	JB	JH	Wt (g)
JN M33 x 1,5	PM 220 MF	47,3	41,0	6,4	27
JN M12 x 1,0	PRO 15 MF	17,3	15,0	4,0	2
JN M14 x 1,0	PRO 25 MF	19,7	17,0	4,0	3
JN M14 x 1,5	PRO 25 MC	19,7	17,0	4,0	3
JN M20 x 1,5	PRO 50 MC	27,7	24,0	4,6	9
JN M25 x 1,5	PRO 100 MF	37,0	32,0	4,6	15
JN M27 x 3,0	PRO 100 MC	37,0	32,0	4,6	15
JN M25 x 1,5	PRO 110 MF	37,0	32,0	4,6	15
JN M25 x 2,0	PRO 110 MC	37,0	32,0	4,6	15
JN M36 x 1,5	PRO 125 MF	47,3	41,0	6,4	27
JN M36 x 1,5	PRO 225 MF	47,3	41,0	6,4	27
JN M10 x 1,0	TK 21 M	15,0	13,0	3,2	2
JN M14 x 1,0	STH .25 M	19,7	17,0	4,0	3
JN M22 x 1,5	STH .5 M	31,5	27,0	5,5	12
JN M30 x 2,0	STH .75 M	41,6	36,0	7,0	26
JN M36 x 1,5	STH 1.0 M	47,3	41,0	6,4	27
JN M36 x 1,5	STH 1.0 M x 2	47,3	41,0	6,4	27
JN M10 x 1	TK 10 MF	15,0	13,0	3,2	2

All dimensions in millimeters.

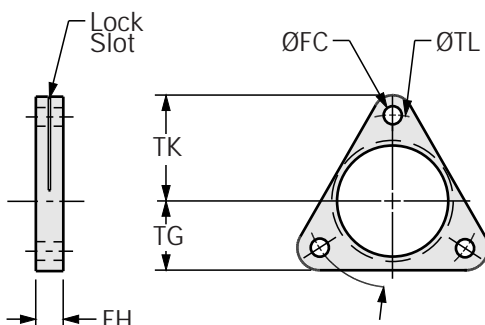
LOCK RING



Catalog No.	Model (Ref)	B	LH	Wt (g)
LR M45 x 1,5	PM 1500 Series	57,2	9,5	75
LR M64 x 2,0	PM 2000 Series	72,9	12,7	85
LR M45 x 1,5	STH 1.5 Series	57,2	9,5	75

All dimensions in millimeters.

TRIANGULAR FLANGE



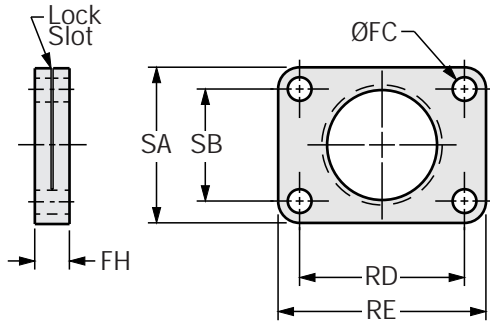
Catalog No.	Model (Ref)	FC	FH	TG	TK	TL	Bolt Size	Wt g
TF M64 x 2,0	PM 2000 Series	10,4	15,7	60,5	39,6	98,6	M10	453

All dimensions in millimeters.

NON-ADJUSTABLE HYDRAULIC SERIES

Accessories

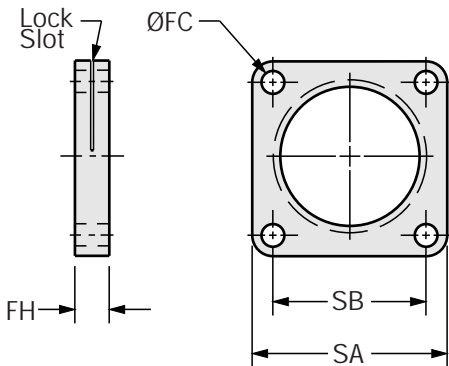
RECTANGULAR FLANGE



Catalog No.	Model (Ref)	FC	FH	RD	RE	SA	SB	Bolt Size	Wt (g)
RF M33 x 1,5	PM 120 MF	7,00	9,5	42,0	54,0	38,0	28,0	M5	30
RF M33 x 1,5	PM 220 MF	7,00	9,5	42,0	54,0	38,0	28,0	M5	30
RF M45 x 1,5	PM 1500 Series	8,60	12,7	60,5	76,2	57,2	41,3	M8	255
RF M36 x 1,5	PRO 125 MF	5,56	9,6	41,3	51,0	44,5	28,6	M5	30
RF M36 x 1,5	PRO 225 MF	5,56	9,6	41,3	51,0	44,5	28,6	M5	30
RF M45 x 1,5	STH 1.5 Series	8,60	12,7	60,5	76,2	57,2	41,3	M8	255

All dimensions in millimeters.

SQUARE FLANGE



Catalog No.	Model (Ref)	FC	FH	SA	SB	Bolt Size	Wt (g)
SF M45 x 1,5	PM 1500 Series	8,6	12,7	57,2	41,3	M8	142
SF M64 x 2,0	PM 2000 Series	10,4	15,7	85,1	69,9	M10	567
SF M45 x 1,5	STH 1.5 Series	8,6	12,7	57,2	41,3	M8	142

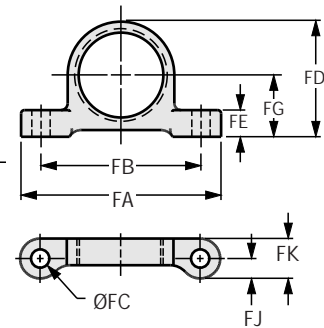
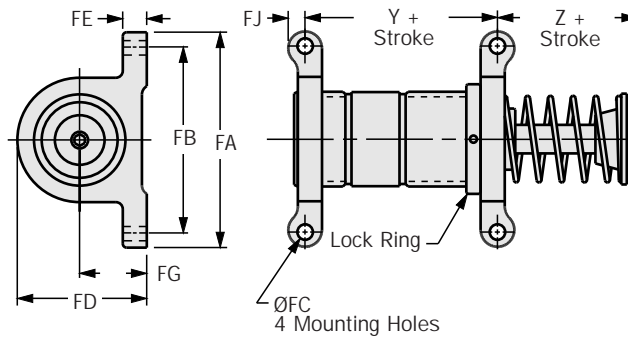
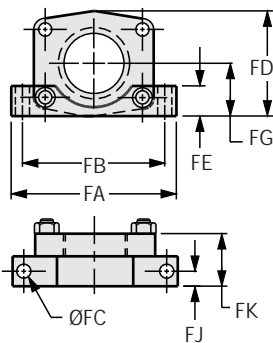
All dimensions in millimeters.

FOOT MOUNT KIT

PM 120, PM 220,
PRO 125, PRO 225

Typical Foot Mount Installation

PM 1500, PM 2000



Catalog No.	Model (Ref)	Y	Z	FA	FB	FC	FD	FE	FG	FJ	FK	Bolt Size	Kit Weight	Notes
FM M33 x 1,5	PM 120 MF	70,0	24,0	70,0	60,3	5,90	45,0	12,7	22,7	6,4	22,2	M5	100g	—
FM M33 x 1,5	PM 220 MF	70,0	24,0	70,0	60,3	5,90	45,0	12,7	22,7	6,4	22,2	M5	100g	—
FM M45 x 1,5	PM 1500 Series	60,5	26,9	95,3	76,2	8,60	54,9	12,7	29,5	9,7	NA	M8	370g	—
FM M64 x 2,0	PM 2000 Series	76,2	39,6	143,0	124,0	10,40	85,7	16,0	44,5	11,2	NA	M10	1050g	1
FM M36 x 1,5	PRO 125 MF	83,1	24,0	70,0	60,3	5,90	45,0	12,7	22,7	6,4	22,2	M5	100g	—
FM M36 x 1,5	PRO 225 MF	83,1	24,0	70,0	60,3	5,90	45,0	12,7	22,7	6,4	22,2	M5	100g	—

Notes: 1. PM 2150 Z dimension is 68,3 mm.

2. Shock absorber must be ordered separately from foot mount kit.

3. All foot mount kits include two foot mounts. A lock ring is also supplied for the PM 1500 and PM 2000 Series.

All dimensions in millimeters.