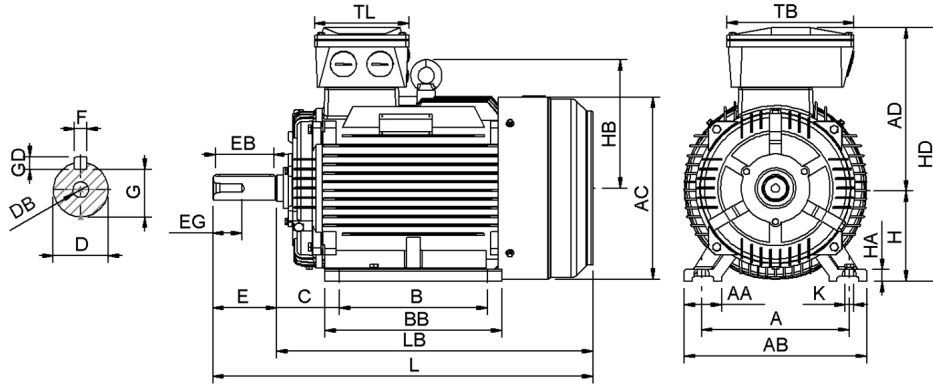


Data Sheet

Itemnumber....: 5523150100



A = 508	AC = 618	BB = 570	DB = M20	EG = 56	GD = 11	HB = 430	L = 1193	TL = 299
AA = 120	AD = 546	C = 216	E = 140	F = 18	H = 315	HD = 862	LB = 1053	
AB = 628	B = 406	D = 65	EB = 130	G = 58	HA = 45	K = 28	TB = 420	

Version

Type.....: HMC3 315S-2
 Design.....: Induction motor
 Standard series.....: IEC 60034
 Phase / Voltage range.....: 3~ / Low

Electrical design

Efficiency.....: IE3
 Pole.....: 2
 Power at 50 Hz (kW).....: 110
 Hz.....: 50
 Voltage.....: 400VD/690VY
 Winding voltage.....: 400VD/690VY 50 Hz
 Power output (kW).....: 110
 Duty.....: S1
 Insulation class.....: F
 Temperature rise.....: B

Mechanical design

Frame size.....: 315
 Mounting.....: B3
 Rain cap.....: No
 Protection class.....: IP55
 Cooling method.....: IC411/TEFC
 External grounding.....: Yes
 Drain hole.....: Yes
 Frame material.....: Cast Iron
 Material approval.....: None
 Shaft.....: IEC standard
 Key.....: Closed key
 Balancing.....: Half key balancing
 Vibration class.....: Grade-A
 Weight (kg).....: 876

Bearing

DE Bearing.....: 6317/C3
 NDE Bearing.....: 6317/C3
 Fixed bearing.....: DE

Terminal box

Tbox position.....: Top
 Cable entry direction.....: Right (from DE)
 Cable entry
 Main.....: 2 x M63x1,5
 Metal blindcaps
 Accessory.....: 2 x M20x1,5
 Metal blindcaps
 Terminal board thread.....: 6-M16

Environment condition

Ambient temp. min. (°C)..: -20
 Ambient temp. max. (°C)..: 40
 Altitude (mtr up to).....: 1000

Test values

Rotor inertia (kgm²).....: 1,71
 Noise level (dB(A)).....: 85
 No load current (A).....: 45,5
 Winding resist. (ohm).....: 0,029
 Starting time (sec.).....: 0,77
 Temp. rise winding (K).....: 61
 Temp. rise surface (K).....: 38

Motor protection

Thermal protection main....: PTC 3x 155 dgr
 Thermal protection second..: None
 Space heater.....: None
 Temperature detector.....: No
 SPM.....: No
 IR wire.....: No
 Tropical insulation.....: No

Explosion protection

According to.....: None
 Type of protection.....: None

General

Direction of rotation.....: CW
 Painting.....: RAL 9005
 Nameplate.....: Multivoltage
 Special packing.....: No
 Special requirements.....: No

Rated power (kW)	110	106	132	128
Frequency (Hz)	50	50	60	60
Voltage (V)	400 690	380 660	480 830	440
Connection	D Y	D Y	D Y	D
Full load current (A)	182 104	186 108	182 104	186
Speed (rpm)	2980	2980	3580	3580
Power factor cos(phi)	0,93	0,94	0,93	0,94
Efficiency, 100/75/50 (%)	95,7/95,9/94,6	95,7/95,9/94,6	95,7/95,9/94,6	95,4/95,6/94,2
Ist/In	7,40	6,50	7,40	6,80
Full load torque (Nm)	355	340	355	340
Tst/Tn	2,10	1,96	2,10	1,82
Tmax/Tn	2,80	2,60	2,80	2,42
Duty	S1	S1	S1	S1
Ambient temp. (°C)	40	45	40	45