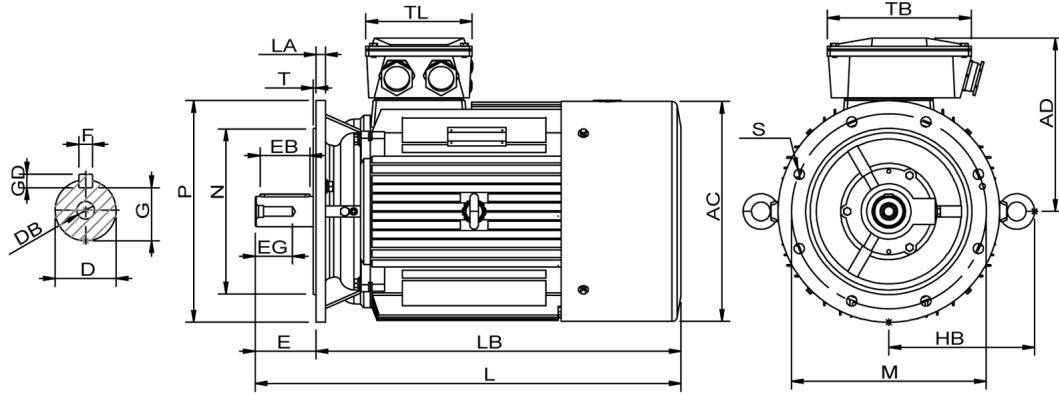


Data Sheet

Itemnumber....: 3243550209



AC = 698	DB = M24	EG = 56	GD = 14	L = 1519	M = 740	S = 8-Ø24	TL = 330
AD = 661	E = 170	F = 25	H = 355	LA = 25	N = 680	T = 6	
D = 95	EB = 160	G = 86	HB = 492	LB = 1349	P = 800	TB = 460	

Version

Type.....: HMC2 355M2-4
 Design.....: Induction motor
 Standard series.....: IEC 60034
 Phase / Voltage range.....: 3~ / Low

Electrical design

Efficiency.....: IE2
 Pole.....: 4
 Power at 50 Hz (kW).....: 250
 Hz.....: 60 (60 Hz output)
 Voltage.....: 440VD
 Winding voltage.....: 400VD/690VY 50 Hz
 Power output (kW).....: 290
 Duty.....: S1
 Insulation class.....: F
 Temperature rise.....: F

Motor protection

Thermal protection main....: PTC 3x 155 dgr
 Thermal protection second.: None
 Space heater.....: 1x 230V 100W
 Temperature detector.....: No
 SPM.....: No
 IR wire.....: No
 Tropical insulation.....: Yes

Explosion protection

According to.....: None

General

Direction of rotation.....: CW
 Painting.....: RAL 9005
 Nameplate.....: Multivoltage + VFD
 Special packing.....: No
 Special requirements.....: No

Mechanical design

Frame size.....: 355
 Mounting.....: B5
 Rain cap.....: No
 Protection class.....: IP55
 Cooling method.....: IC411/TEFC
 External grounding.....: Yes
 Drain hole.....: Yes
 Frame material.....: Cast Iron
 Material approval.....: None
 Shaft.....: IEC Standard
 Key.....: Closed key
 Balancing.....: Half key balancing
 Vibration class.....: Grade-A
 Weight (kg).....: 1.650

Environment condition

Ambient temp. min. (°C)..: -20
 Ambient temp. max. (°C)..: 45
 Altitude (mtr up to).....: 1000

Bearing

DE Bearing.....: 6322/C3
 NDE Bearing.....: 6322/C3
 Fixed bearing.....: DE

Terminal box

Tbox position.....: Top
 Cable entry direction.....: Right (from DE)
 Cable entry
 Main.....: 2 x M72x2,0
 Ø46-52mm metal
 Accessory.....: 2 x M20x1,5
 Metal blindcaps
 Terminal board thread.....: 6-M16

Test values

Rotor inertia (kgm²).....: 7,77
 No load current (A).....: 128
 Winding resist. (ohm).....: 0,0099
 Starting time (sec.).....: 0,36

Rated power (kW)	250
Frequency (Hz)	60
Voltage (V)	440
Connection	D
Full load current (A)	385
Speed (rpm)	1780
Power factor cos(phi)	0,90
Efficiency, 100/75/50 (%)	94,8/94,8/94,3
Ist/In	6,60
Full load torque (Nm)	1,340
Tst/Tn	2,32
Tmax/Tn	2,85
Duty	S1
Ambient temp. (°C)	45