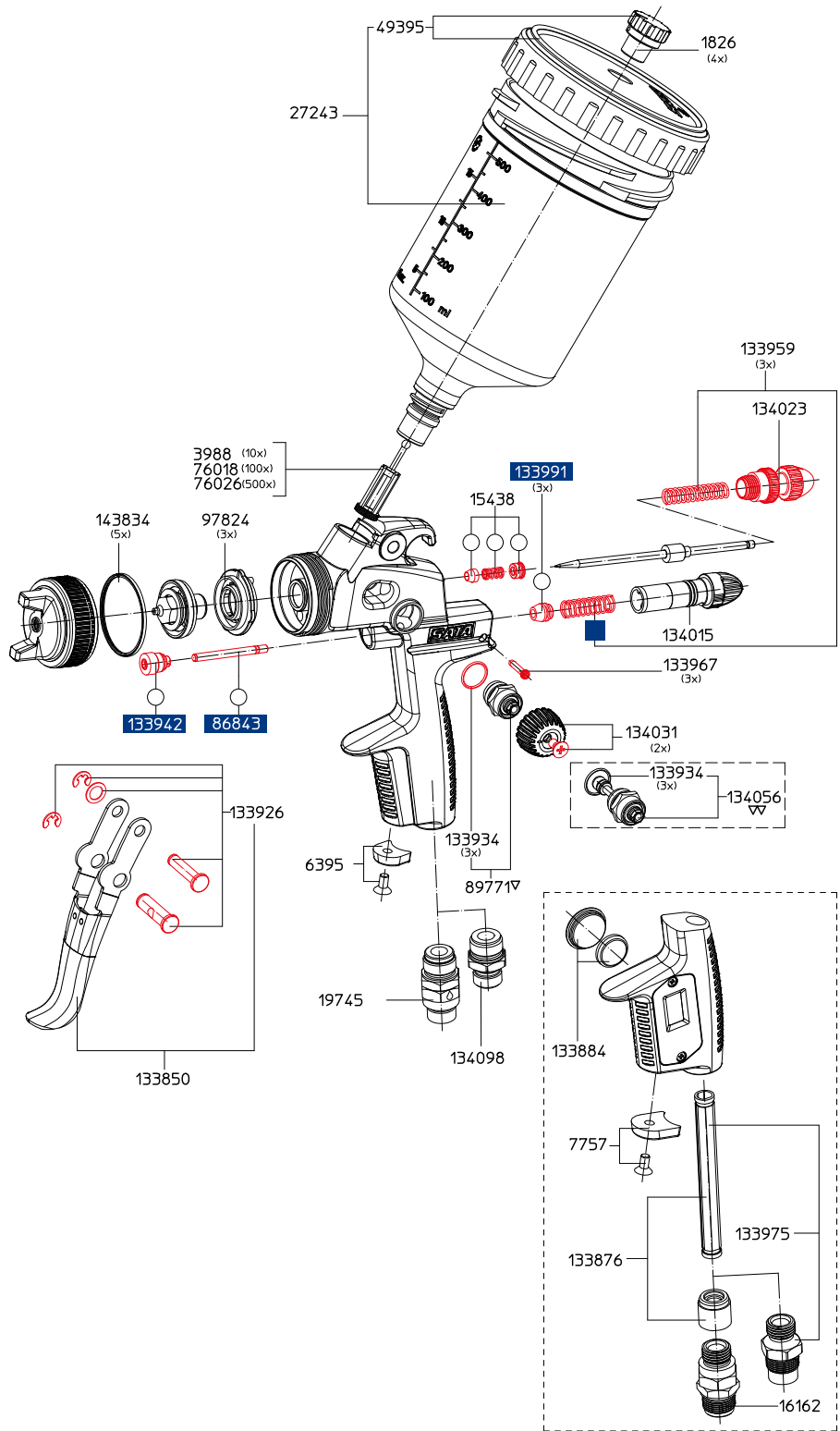


Spare Parts SATAjet® 3000 B

Art. No./Descr.
1826 4 pieces non-drip devices for 0.6 l PVC cup
3988 10 paint strainers for SATA spray guns, except SATAMinijet
6395 Pack of 4 CCS clips available in colours green, blue, red and black
7757 Pack of 4 CCS clips available in colours green, blue, red and black
15438 Paint needle packing
16162 Swivel joint for SATA paint spray guns with digital pressure display
19745 Swivel joint without digital display
27243 QCC quick replacement cup (PVC) 0.6 l
49395 Screw-on lid for 0.6 l PVC cup with drip-catching ring and non-drip device
76018 10 packs of 10 paint strainers
76026 50 packs of 10 paint strainers
86843 Air piston rod
89771 Spindle, cpl., for round / flat spray control
97824 Pack of 3 air distribution rings
133850 Trigger set
133876 Seal retainer with sleeve
133884 Battery kit
133926 Trigger sleeve kit
133934 Pack of 3 packings
133942 Seal retainer
133959 Set of springs with each 3 pieces paint needles/air piston springs
133967 Pack of 3 adjustment screws
133975 Air connection with sleeve for SATAjet 3000 B DIGITAL
133991 Pack of 3 air piston heads
134015 Air micrometer
134023 Material flow control with counter nut
134031 Control knob and screw, 2 pieces each
134056 Spindle for right-handed persons for round/flat spray control
134098 Air connection piece G1/4a- M15x1a
143834 Pack of 5 sealing rings for air cap ring SATAjet 2000, SATAjet RP, SATAjet 3000



All prices are recommended list prices. Errors, technical modifications and printing errors reserved.

Art. No./Descr.	
9050	
Tool kit	
· Extraction tool	
· Paint strainer	
· Cleaning brush	
· Paint strainer	
· Allen wrench 2 mm width	
· Allen wrench 4 mm width	
· Universal spanner	

Art. No./Descr.
133835
Repair kit SATAjet 3000 B
82552
Air piston service unit
○ 136960
Sealing kit
▽ Version of SATAjet 3000 B without spindle flange
▽ Version of SATAjet 3000 with spindle flange on the right side