

Data sheet:

DC-Load break switch Model S6000N – 315A 1500Vdc DC21B



Electrical data: (manufactured according to IEC 60947-1&3)

Thermal current I_{th} (+70 °C) 315A

Rated insulation voltage U_i 1500V
Rated impulse withstand voltage U_{imp} 12kV

Rated operational current

Voltage	Category of operation	I _e
1500Vdc	DC21B	315A

Standards IEC 60947-1 & 3

Quality Telergon

ISO 9001 & 14001



Short-circuit behaviour

Short-circuit making capacity (peak value)*	I _{cm}	10kA
Short-time withstand current (1 sec) (rms)	I _{cw}	10kA

* Without limiting protective device (short-circuit maintained 50...100ms)

Connection capacity

Bar (Thickness / Width) (mm)	7/25
Rigid cable Cu (mm ²)	185
Max. Connecting copper bar (mm)	25
Tightening torque (N·m)	18

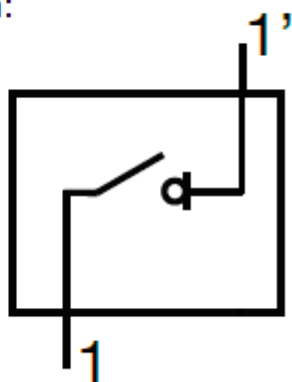
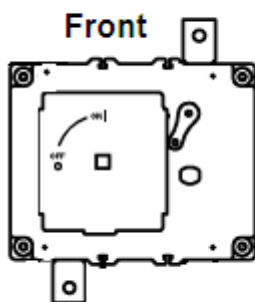
Mechanical data

Minimum number of operations (without load) 8000

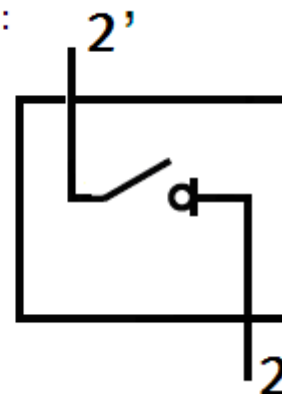
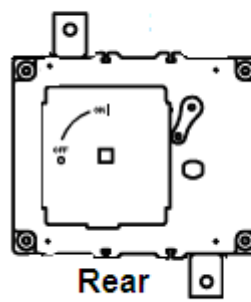
Codes:

Configuration	Poles	Switch code	Accessories	Codes
Type U/S	1P+1P	S6N0315USS0	Direct handle Panel handle Terminal shrouds	DS-SI11 DS-SA11 DR-CU12 (1 unit)

Type U diagram:



Type S diagram:



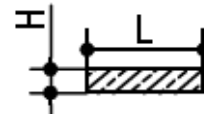
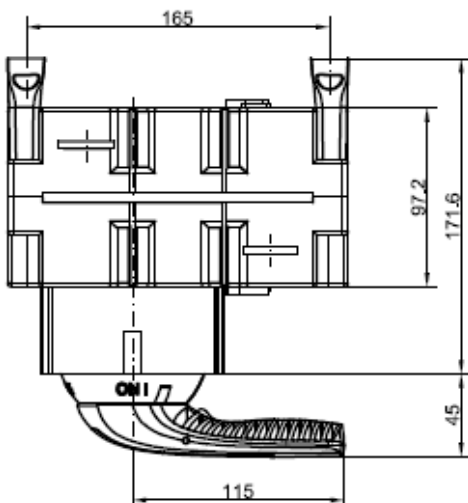
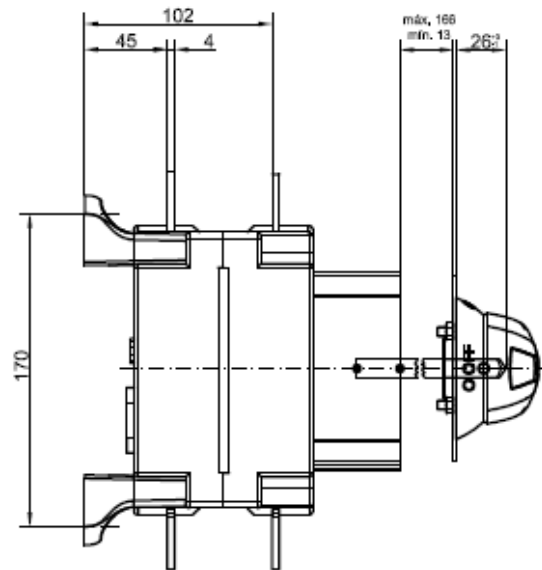
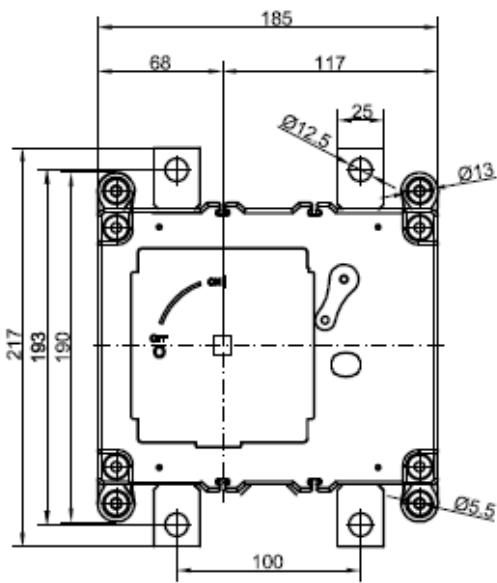
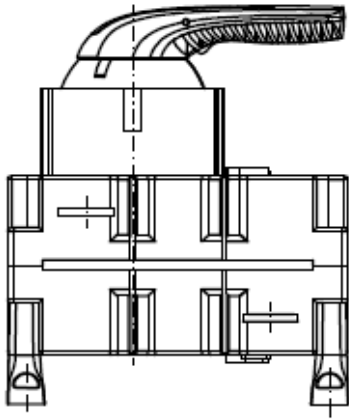
You will find detailed information about our products on our web site www.telergon.com




DC Switch-Disconnecter
S6N0315USS0

TELERGON, S.A.U.
Data subject to change without
notice (printed: 30/06/2017)

Dimensions (mm):



S max (Cu) mm ²	H max (Cu) mm	L max (Cu) mm		M Nxm
185	7	25	M10	18



You will find detailed information about our products on our web site www.telergon.com



**DC Switch-Disconnecter
S6N0315USS0**

TELERGON, S.A.U.
Data subject to change without
notice (printed: 30/06/2017)