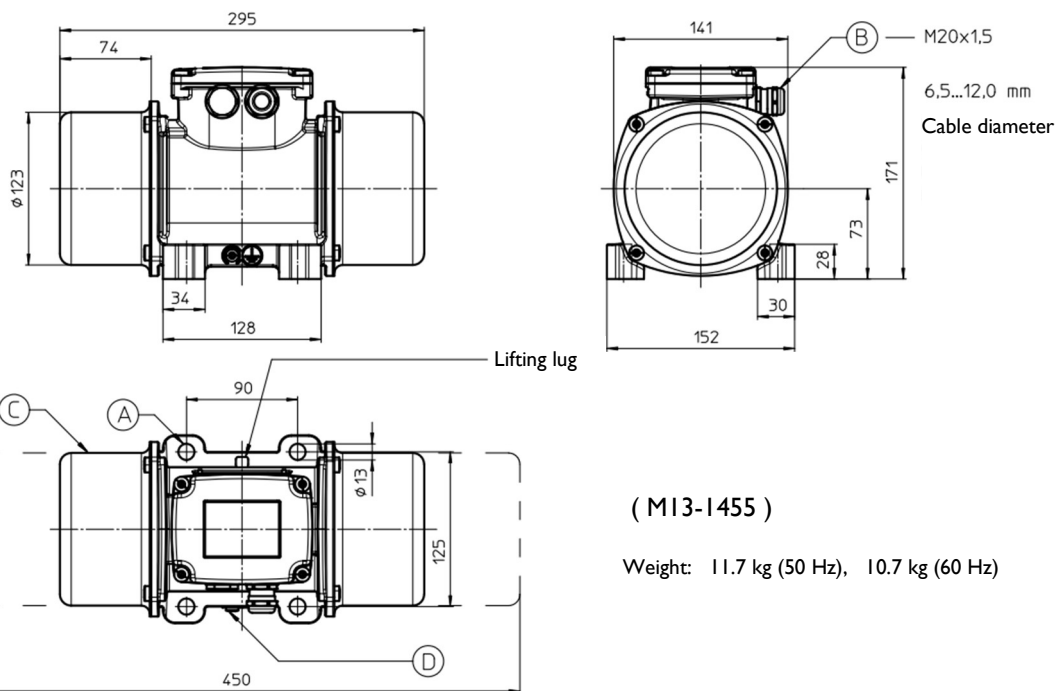


Unbalance motor UVC 2.IX-A3.I



(M13-1455)

Weight: 11.7 kg (50 Hz), 10.7 kg (60 Hz)

- (A) – Mounting screws required: 4 pieces (M12) – Screw tightening torque: 85 Nm (Strength class: 8.8)
- (B) – Observe the degree of protection (IP Code) according to the type label, cable diameter & cable gland must match!
- (C) – Observe the required space for mounting the protective hoods!
- (D) – Grounding screw

Electrical specifications

Housing size	Mains frequency	Standard coils	Code number AViTEQ	Nominal current	Input power	Power factor	IA/In	Number of poles	Motor speed, synchronous
10	50 Hz	200-230 V (1-phase)	85792	1.00 A	0.210 kW	0.95	1.50	4	1,500 min ⁻¹
		220-240/380-415 V (3-phase)	85793	0.71/0.41 A					
		254-305/440-525 V (3-phase)	85794	0.57/0.33 A					
	60 Hz	110-120 V (1-phase)	85795	2.00 A	0.230 kW	1.00	1.85		1,800 min ⁻¹
		220-277/380-480 V (3-phase)	85796	0.69/0.40 A					
		330-346/575-600 V (3-phase)	85797	0.55/0.32 A					

Mechanical specifications

Housing size	Mains frequency	Centrifugal force	Working moment	Working weight range (double drive)	Degree of protection (EN 60529)	Bearing	Sound pressure level
10	50 Hz	2,070 N	16.84 kgcm	36...205 kg	IP66	6304 2ZR.C3	<70 dB (A)
	60 Hz	2,100 N	11.80 kgcm	36...178 kg			

Further information:

Insulation class: F
 Construction and rotation: can be operated at all positions, C.W. and C.C.W.
 Permissible number of starts per hour: 15 (with to installed and monitored PTC-thermistor the number of starts is not limited)
 Allowed ambient temperature: -20...+55°C (Special version with heater for temperatures below -20°C possible on request)
 Standard coloring (housing): RAL 5018, powder-coated (...other colorings possible on request)
 Bearing service life-hours (L10 Basis): approx. 21,070 h (50 Hz) / approx. 17,310 h (60 Hz) (no re-lubrication possible) with max. centrifugal force
 Service factor: 1.15
 CSA-approval: Yes (...only for non-hazardous areas)
 ATEX-approval: LCIE 07 ATEX 6020 X - II 2D Ex tb IIIC T135°C Db