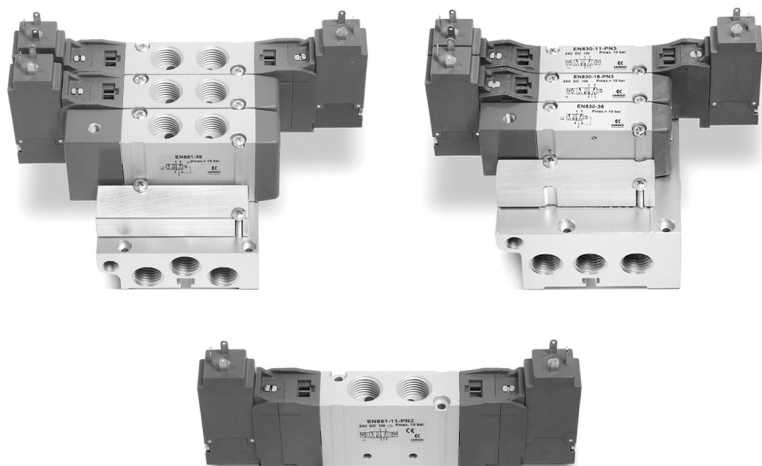


# Series EN valves and solenoid valves

5/2-way - 5/3-way CC, CO, CP

With outlets on the body - For individual or manifold assembly

Size 16 - 19 mm



- » Mounting on any flat surface
- » Reduced dimensions
- » Aluminium body and end-covers in technopolymer
- » Space saving

Camozzi has developed a new series of valves to be used in applications requiring a reduced space of installation and in situations where the valves need to be located as near as possible to the operating elements. The single valves can be mounted on any flat surface, allowing compact machine design, which is also enhanced by the reduced dimensions of the valve itself.

Thanks to their robust aluminium bodies, the valves Series EN offer the highest reliability.

This new generation of solenoid valves is the evolution of the previous Series E, size 16 - 19 mm valve with ports threaded into the body. As this valve is completely interchangeable with Series E, part of the code is maintained though the valve has a completely new shape and new components.

## GENERAL DATA

|                     |   |
|---------------------|---|
| Construction        | spool-type  |
| Valve functions     | 5/2 - 5/3 CC - 5/3 CO - 5/3 CP  |
| Materials           | body, spool, bases = AL<br>end-covers = technopolymer<br>joints = NBR PU  |
| Ports               | G1/8 - G1/4   |
| Temperature         | 0°C min. + 50° C max  |
| Fluid               | filtered air without lubricant. If lubricated air is used, it is recommended to use ISOVG32 oil and to never interrupt lubrication. |
| Voltage             | see coding  |
| Voltage tolerance   | ± 10%   |
| Power consumption   | 2W, 1W  |
| Class of insulation | class F   |
| Protection class    | IP65 with connector DIN 40050   |

**CODING EXAMPLE**

|           |          |          |          |          |           |          |            |
|-----------|----------|----------|----------|----------|-----------|----------|------------|
| <b>EN</b> | <b>5</b> | <b>3</b> | <b>1</b> | <b>-</b> | <b>11</b> | <b>-</b> | <b>PN3</b> |
|-----------|----------|----------|----------|----------|-----------|----------|------------|

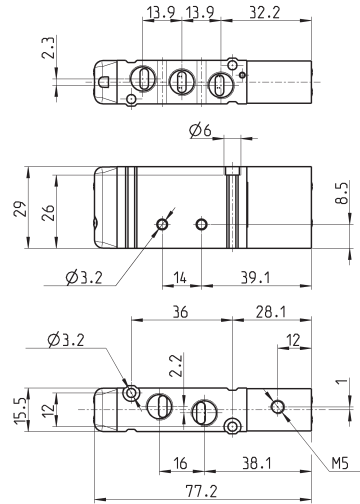
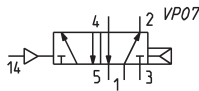
|            |  |
|------------|--|
| <b>EN</b>  | SERIES   |
| <b>5</b>   | <p><b>FUNCTION:</b><br/>           5 = 5/2<br/>           6 = 5/3 Centre Closed<br/>           7 = 5/3 Centre Open<br/>           8 = 5/3 Pressure Centre</p>  |
| <b>3</b>   | <p><b>SIZE:</b><br/>           3 = size 16<br/>           5 = size 19</p>  |
| <b>1</b>   | <p><b>BODY TYPE:</b><br/>           1 = body with threaded plate</p>   |
| <b>11</b>  | <p><b>ACTUATION:</b><br/>           11 = electro-pneumatic, bistable<br/>           16 = electro-pneumatic, monostable<br/>           33 = pneumatic bistable<br/>           36 = pneumatic monostable<br/>           E11 = electro-pneumatic, bistable with external servo-pilot supply<br/>           E16 = electro-pneumatic, monostable with external servo-pilot supply</p>   |
| <b>PN3</b> | <p><b>TYPE OF SOLENOID:</b><br/>           PN3 = 24V DC - 1W<br/>           P13 = 24V DC - 1W<br/>           PN4 = 48V DC - 2W<br/>           PN6 = 110V DC - 2W<br/>           PN7 = 230V - 2W<br/>           P53 = 24V DC - 2W<br/>           P54 = 48V DC - 2W<br/>           P56 = 110V DC - 2W<br/>           W53 = 24V DC - 2W<br/>           W54 = 48V DC - 2W</p> <p>In case of applications with alternate current, use a bridge rectifier connector (see the connectors at the end of the section)</p> |

**Pneumatically actuated valve, monostable - size 16**

5/2-way



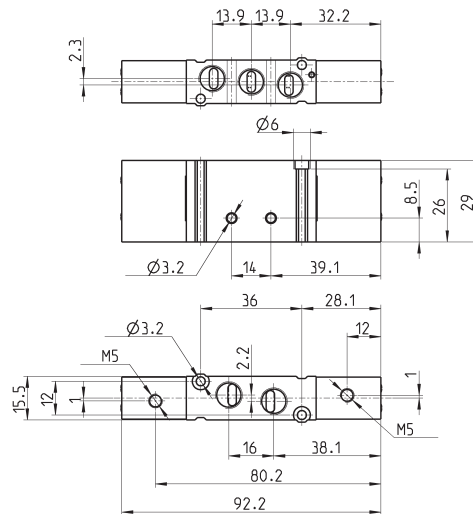
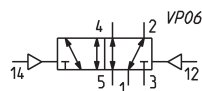
Note: the pilot pressure should never be lower than the operating pressure.



| Mod.     | Ports | Pilot supply | Pilot supply pressure (bar) | Operating pressure (bar) | Flow (NI/min) |
|----------|-------|--------------|-----------------------------|--------------------------|---------------|
| EN531-36 | G1/8  | M5           | 2,5 ÷ 10                    | -0.9 ÷ 10                | 550           |

**Pneumatically actuated valve, bistable - size 16**

5/2-way

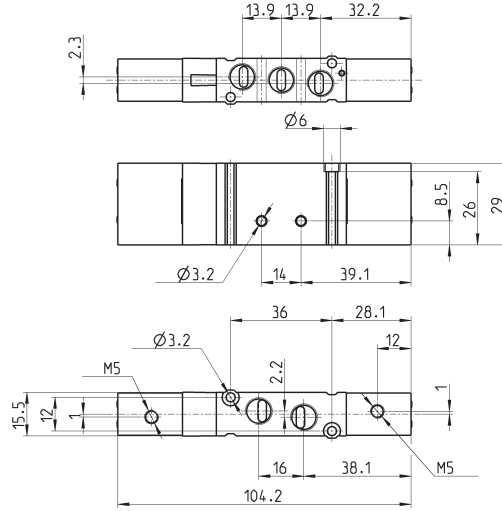
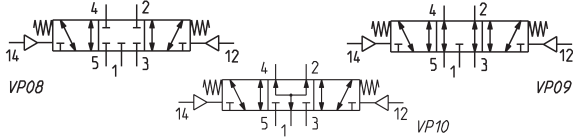


| Mod.     | Ports | Pilot supply | Pilot supply pressure (bar) | Operating pressure (bar) | Flow (NI/min) |
|----------|-------|--------------|-----------------------------|--------------------------|---------------|
| EN531-33 | G1/8  | M5           | 2 ÷ 10                      | -0.9 ÷ 10                | 550           |

**Pneumatically actuated valve - size 16**



5/3-way  
CC = Centres closed  
CO = Centres open  
CP = Pressure Centres

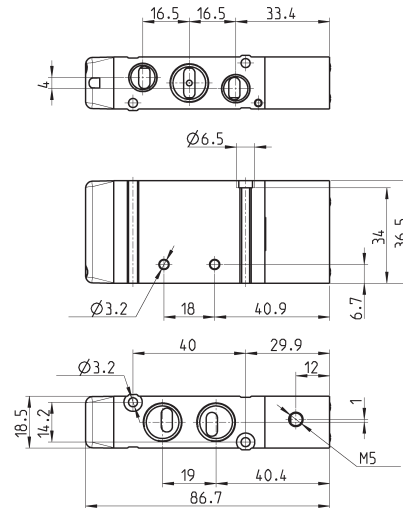
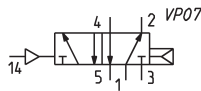


| Mod.     | Ports | Pilot supply | Pilot supply pressure (bar) | Operating pressure (bar) | Flow (NI/min) | Symbol |
|----------|-------|--------------|-----------------------------|--------------------------|---------------|--------|
| EN631-33 | G1/8  | M5           | 3 ÷ 10                      | -0.9 ÷ 10                | 550           | VP08   |
| EN731-33 | G1/8  | M5           | 3 ÷ 10                      | -0.9 ÷ 10                | 550           | VP09   |
| EN831-33 | G1/8  | M5           | 3 ÷ 10                      | -0.9 ÷ 10                | 550           | VP10   |

**Pneumatically actuated valve, monostable - size 19**



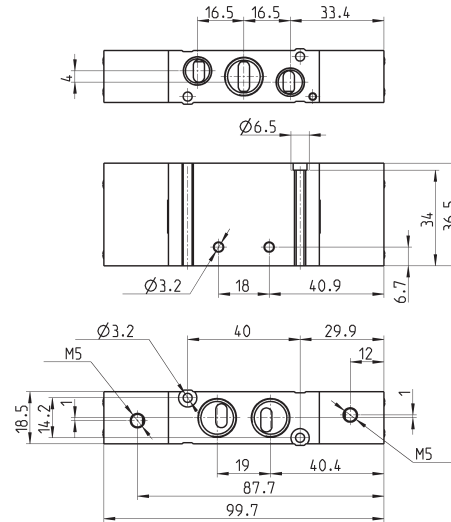
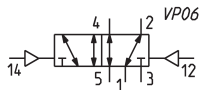
5/2-way  
Note: the pilot pressure should never be lower than the operating pressure.



| Mod.     | Ports 1-2-4 | Ports 3-5 | Pilot supply | Pilot supply pressure (bar) | Operating pressure (bar) | Flow (NI/min) |
|----------|-------------|-----------|--------------|-----------------------------|--------------------------|---------------|
| EN551-36 | G1/4        | G1/8      | M5           | 2.5 ÷ 10                    | -0.9 ÷ 10                | 920           |

**Pneumatically actuated valve, bistable - size 19**

5/2-way

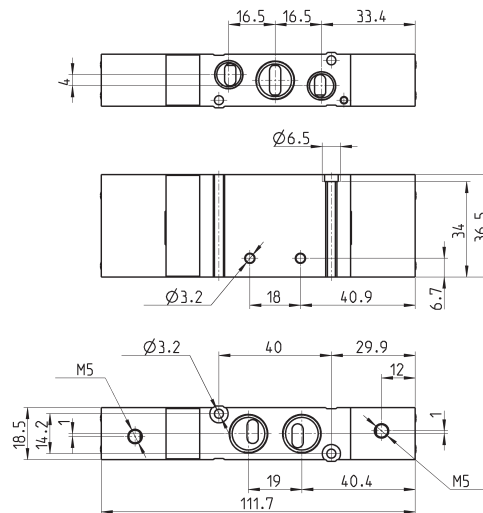
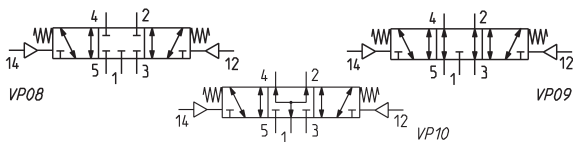


| Mod.     | Ports 1-2-4 | Ports 3-5 | Pilot supply | Pilot supply pressure (bar) | Operating pressure (bar) | Flow (NL/min) |
|----------|-------------|-----------|--------------|-----------------------------|--------------------------|---------------|
| EN551-33 | G1/4        | G1/8      | M5           | 2 ÷ 10                      | -0,9 ÷ 10                | 920           |

**Pneumatically actuated valve - size 19**

5/3-way

CC = Centres closed  
CO = Centres open  
CP = Pressure Centres



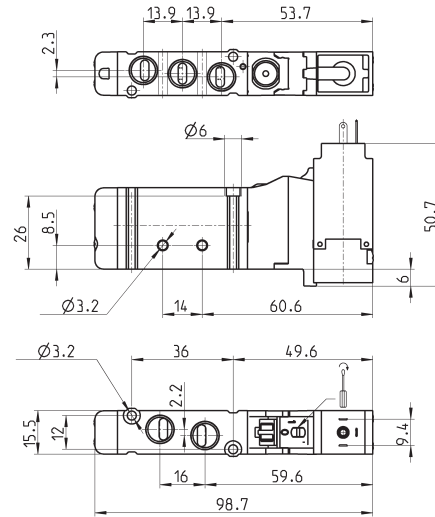
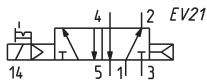
| Mod.     | Ports 1-2-4 | Ports 3-5 | Pilot supply | Pilot supply pressure (bar) | Operating pressure (bar) | Flow (NL/min) | Symbol |
|----------|-------------|-----------|--------------|-----------------------------|--------------------------|---------------|--------|
| EN651-33 | G1/4        | G1/8      | M5           | 3 ÷ 10                      | -0,9 ÷ 10                | 920           | VP08   |
| EN751-33 | G1/4        | G1/8      | M5           | 3 ÷ 10                      | -0,9 ÷ 10                | 920           | VP09   |
| EN851-33 | G1/4        | G1/8      | M5           | 3 ÷ 10                      | -0,9 ÷ 10                | 920           | VP10   |

## Electro-pneumatically actuated valve, monostable - size 16

5/2-way



Connectors at the end of this section



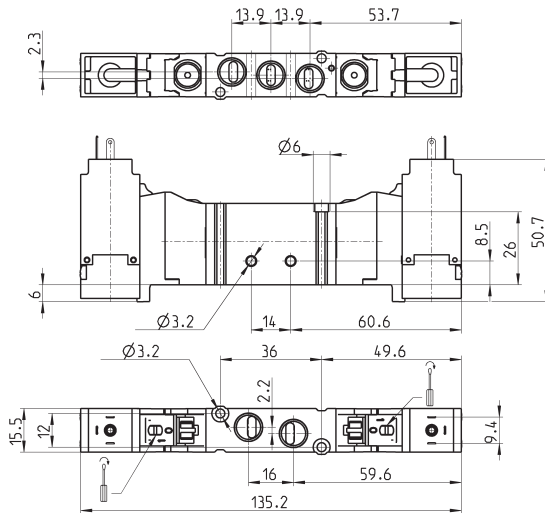
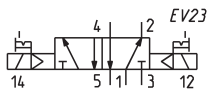
| Mod.          | Ports | Operating pressure (bar) | Flow (NI/min) |
|---------------|-------|--------------------------|---------------|
| EN531-16-PN.. | G1/8  | 2,5 ÷ 10                 | 550           |

## Electro-pneumatically actuated valve, bistable - size 16

5/2-way



Connectors at the end of this section



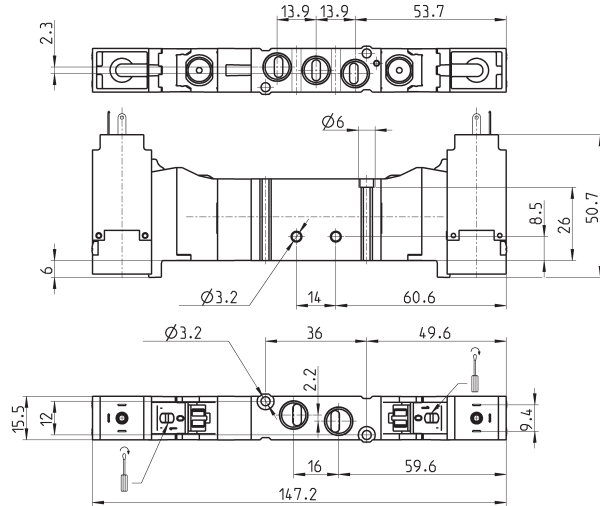
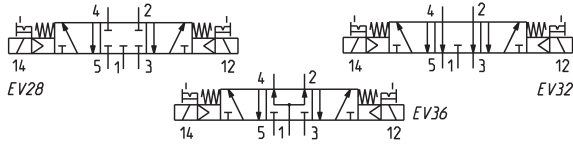
| Mod.          | Ports | Operating pressure (bar) | Flow (NI/min) |
|---------------|-------|--------------------------|---------------|
| EN531-11-PN.. | G1/8  | 2 ÷ 10                   | 550           |

### Electro-pneumatically actuated valve - size 16

5/3-way  
 CC = Centres Closed  
 CO = Centres Open  
 CP = Pressure Centres



Connectors at the end of this section



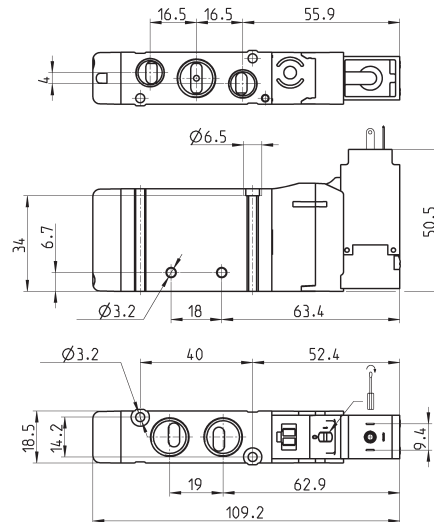
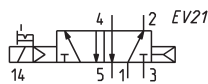
| Mod.          | Ports | Operating pressure (bar) | Flow (NI/min) | Symbol |
|---------------|-------|--------------------------|---------------|--------|
| EN631-11-PN.. | G1/8  | 3 ÷ 10                   | 550           | EV28   |
| EN731-11-PN.. | G1/8  | 3 ÷ 10                   | 550           | EV32   |
| EN831-11-PN.. | G1/8  | 3 ÷ 10                   | 550           | EV36   |

### Electro-pneumatically actuated valve, monostable - size 19

5/2-way



Connectors at the end of this section



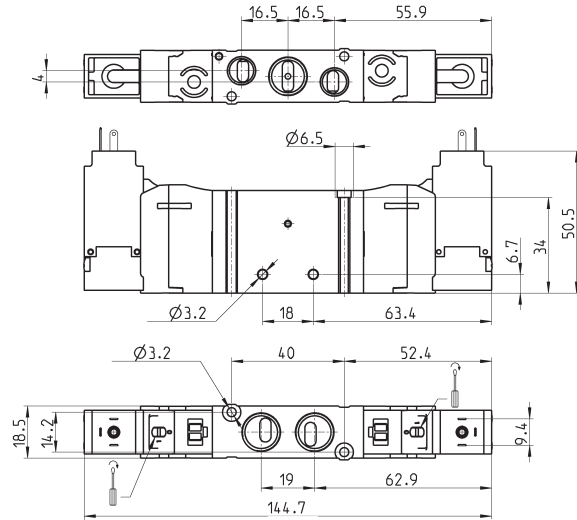
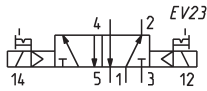
| Mod.          | Ports 1-2-4 | Ports 3-5 | Operating pressure (bar) | Flow (NI/min) |
|---------------|-------------|-----------|--------------------------|---------------|
| EN551-16-PN.. | G1/4        | G1/8      | 2,5 ÷ 10                 | 920           |

## Electro-pneumatically actuated valve, bistable - size 19

5/2-way



Connectors at the end of this section



| Mod.          | Ports 1-2-4 | Ports 3-5 | Operating pressure (bar) | Flow (NL/min) |
|---------------|-------------|-----------|--------------------------|---------------|
| EN551-11-PN.. | G1/4        | G1/8      | 2 ÷ 10                   | 920           |

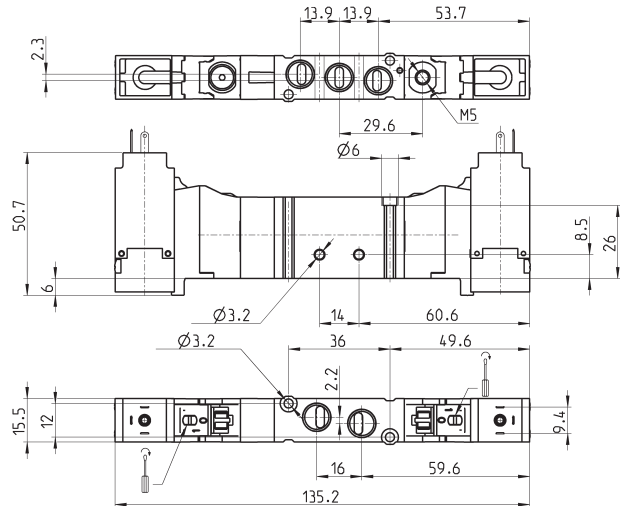
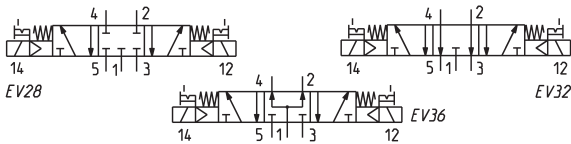
## Electro-pneumatically actuated valve - size 19

5/3-way

CC = Centres Closed  
CO = Centres Open  
CP = Pressure Centres



Connectors at the end of this section



| Mod.          | Ports 1-2-4 | Ports 3-5 | Operating pressure (bar) | Flow (NL/min) | Symbol |
|---------------|-------------|-----------|--------------------------|---------------|--------|
| EN651-11-PN.. | G1/4        | G1/8      | 3 ÷ 10                   | 920           | EV28   |
| EN751-11-PN.. | G1/4        | G1/8      | 3 ÷ 10                   | 920           | EV32   |
| EN851-11-PN.. | G1/4        | G1/8      | 3 ÷ 10                   | 920           | EV36   |

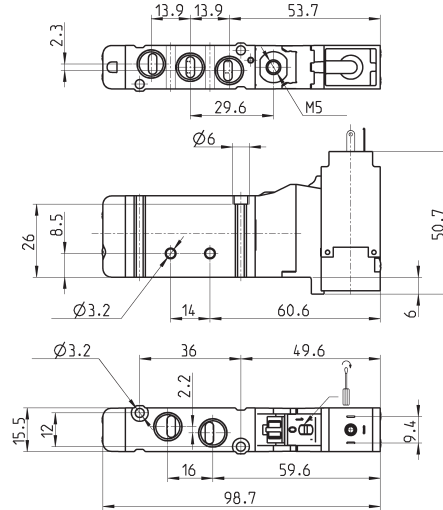
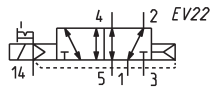


**Electro-pneum. valve, monostable - ext. servo-pilot supply - size 16**

5/2-way



Connectors at the end of this section



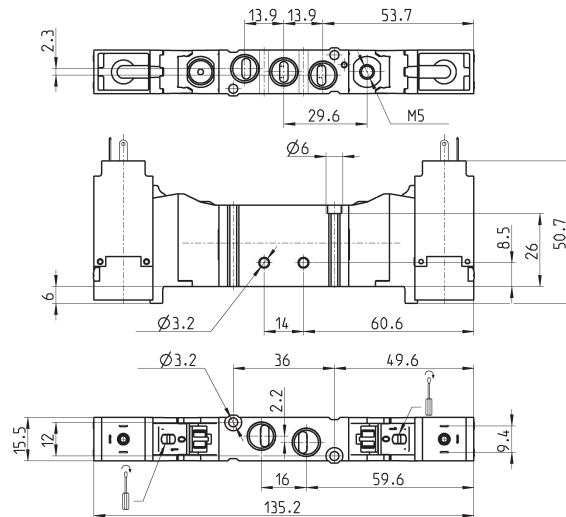
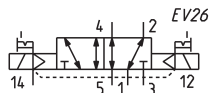
| Mod.           | Ports | Pilot supply | Pilot supply pressure (bar) | Operating pressure (bar) | Flow (NI/min) |
|----------------|-------|--------------|-----------------------------|--------------------------|---------------|
| EN531-E16-PN.. | G1/8  | M5           | 2,5 ÷ 10                    | -0,9 ÷ 10                | 550           |

**Electro-pneum. valve, bistable - ext. servo-pilot supply - size 16**

5/2-way



Connectors at the end of this section



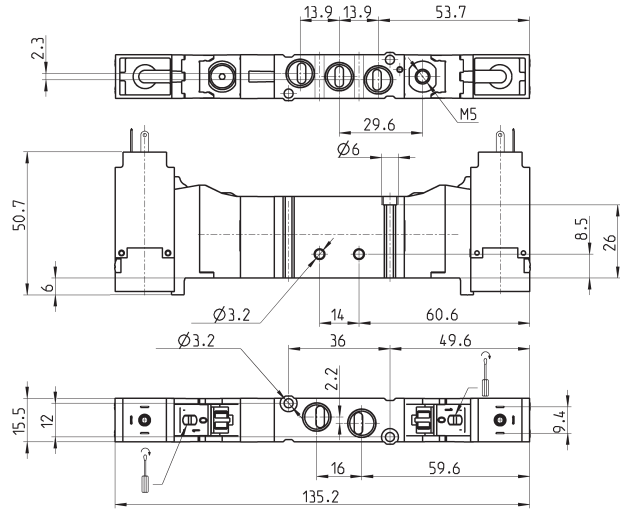
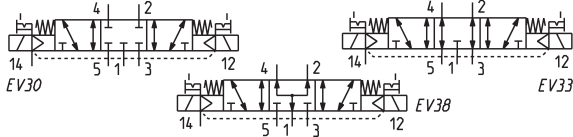
| Mod.           | Ports | Pilot supply | Pilot supply pressure (bar) | Operating pressure (bar) | Flow (NI/min) |
|----------------|-------|--------------|-----------------------------|--------------------------|---------------|
| EN531-E11-PN.. | G1/8  | M5           | 2 ÷ 10                      | -0,9 ÷ 10                | 550           |

### Electro-pneum. valve - ext. servo-pilot supply - size 16

5/3-way  
CC = Centres Closed  
CO = Centres Open  
CP = Pressure Centres



Connectors at the end of this section



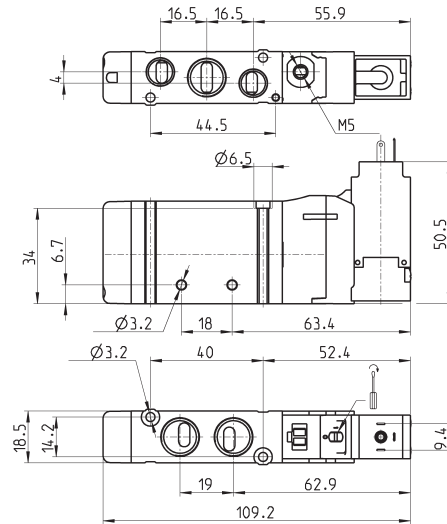
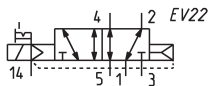
| Mod.           | Function | Ports | Pilot supply | Pilot supply pressure (bar) | Operating pressure (bar) | Flow (NL/min) | Symbol |
|----------------|----------|-------|--------------|-----------------------------|--------------------------|---------------|--------|
| EN631-E11-PN.. |          | G1/8  | M5           | 3 ÷ 10                      | -0,9 ÷ 10                | 550           | EV30   |
| EN731-E11-PN.. |          | G1/8  | M5           | 3 ÷ 10                      | -0,9 ÷ 10                | 550           | EV33   |
| EN831-E11-PN.. |          | G1/8  | M5           | 3 ÷ 10                      | -0,9 ÷ 10                | 550           | EV38   |

### Electro-pneum. valve, monostable - ext. servo-pilot supply - size 19

5/2-way



Connectors at the end of this section



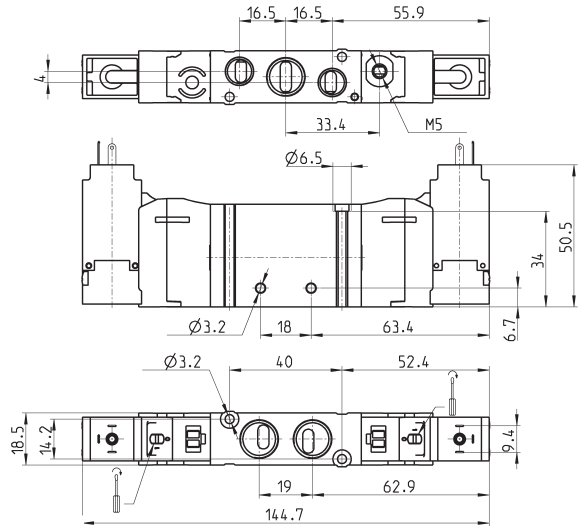
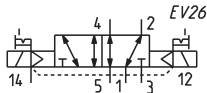
| Mod.           | Ports 1-2-4 | Ports 3-5 | Pilot supply | Pilot supply pressure (bar) | Operating pressure (bar) | Flow (NL/min) |
|----------------|-------------|-----------|--------------|-----------------------------|--------------------------|---------------|
| EN551-E16-PN.. | G1/4        | G1/8      | M5           | 2,5 ÷ 10                    | -0,9 ÷ 10                | 920           |

**Electro-pneum. valve, bistable - ext. servo-pilot supply - size 19**

5/2-way



Connectors at the end of this section



| Mod.           | Ports 1-2-4 | Ports 3-5 | Pilot supply | Pilot supply pressure (bar) | Operating pressure (bar) | Flow (NL/min) |
|----------------|-------------|-----------|--------------|-----------------------------|--------------------------|---------------|
| EN551-E11-PN.. | G1/4        | G1/8      | M5           | 2 ÷ 10                      | -0,9 ÷ 10                | 920           |

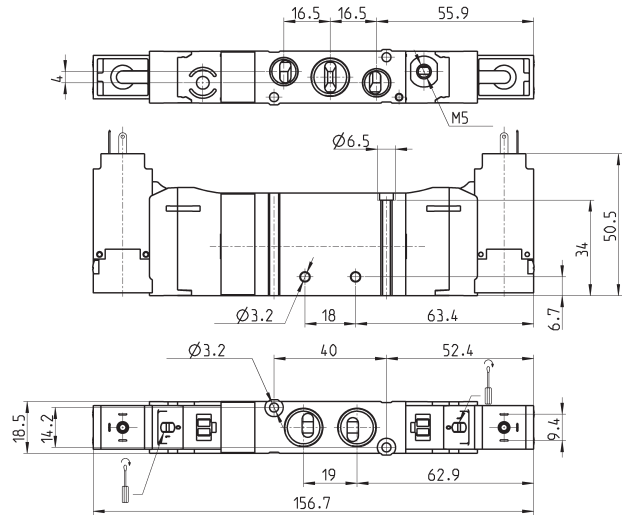
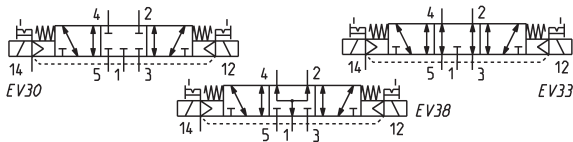
**Electro-pneum. valve - ext. servo-pilot supply - size 19**

5/3-way

CC = Centres Closed  
CO = Centres Open  
CP = Pressure Centres



Connectors at the end of this section



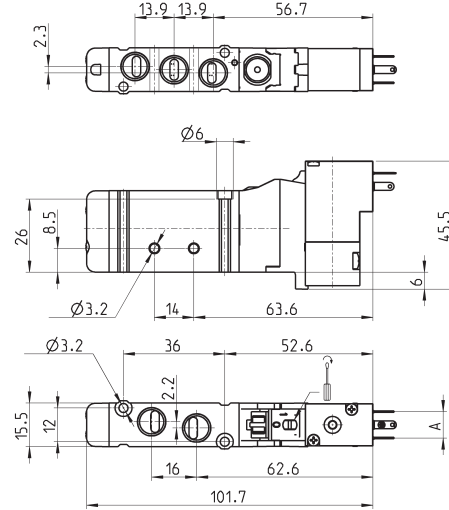
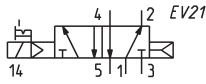
| Mod.           | Ports 1-2-4 | Ports 3-5 | Pilot supply | Pilot supply pressure (bar) | Operating pressure (bar) | Flow (NL/min) | Symbol |
|----------------|-------------|-----------|--------------|-----------------------------|--------------------------|---------------|--------|
| EN651-E11-PN.. | G1/4        | G1/8      | M5           | 3 ÷ 10                      | -0,9 ÷ 10                | 920           | EV30   |
| EN751-E11-PN.. | G1/4        | G1/8      | M5           | 3 ÷ 10                      | -0,9 ÷ 10                | 920           | EV33   |
| EN851-E11-PN.. | G1/4        | G1/8      | M5           | 3 ÷ 10                      | -0,9 ÷ 10                | 920           | EV38   |

**Electro-pneum. valve, monostable, solenoid P, W - size 16**

5/2-way



Connectors at the end of this section



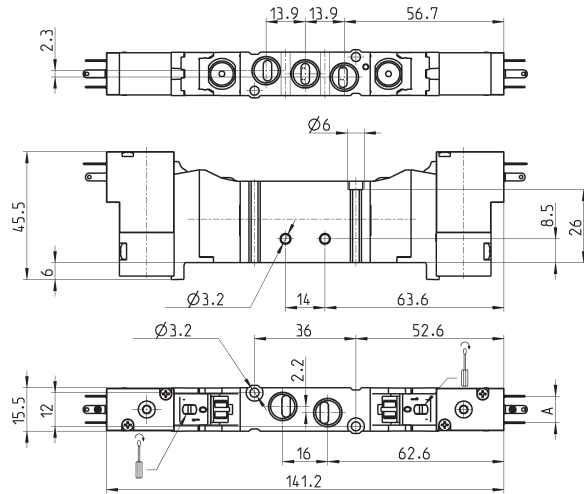
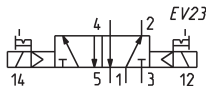
| Mod.         | Ports | A   | Operating pressure (bar) | Flow (NL/min) |
|--------------|-------|-----|--------------------------|---------------|
| EN531-16-P13 | G1/8  | 9,4 | 2,5 ÷ 10                 | 550           |
| EN531-16-P54 | G1/8  | 9,4 | 2,5 ÷ 10                 | 550           |
| EN531-16-P56 | G1/8  | 9,4 | 2,5 ÷ 10                 | 550           |
| EN531-16-W53 | G1/8  | 8   | 2,5 ÷ 10                 | 550           |
| EN531-16-W54 | G1/8  | 8   | 2,5 ÷ 10                 | 550           |

**Electro-pneum. valve, bistable, solenoid P, W - size 16**

5/2-way



Connectors at the end of this section



| Mod.         | Ports | A   | Operating pressure (bar) | Flow (NL/min) |
|--------------|-------|-----|--------------------------|---------------|
| EN531-11-P13 | G1/8  | 9,4 | 2 ÷ 10                   | 550           |
| EN531-11-P54 | G1/8  | 9,4 | 2 ÷ 10                   | 550           |
| EN531-11-P56 | G1/8  | 9,4 | 2 ÷ 10                   | 550           |
| EN531-11-W53 | G1/8  | 8   | 2 ÷ 10                   | 550           |
| EN531-11-W54 | G1/8  | 8   | 2 ÷ 10                   | 550           |

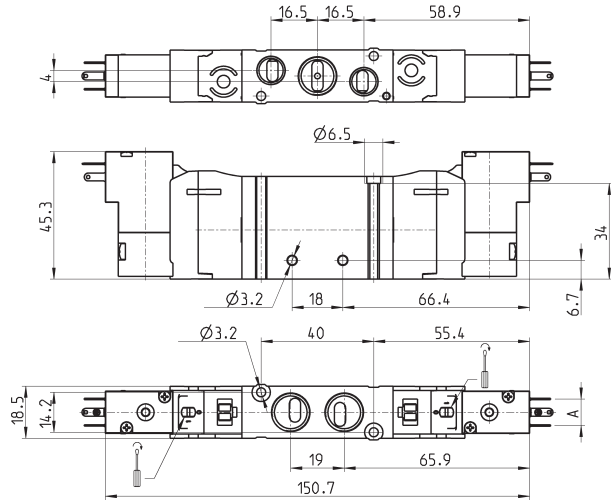
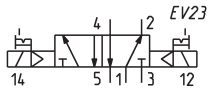


**Electro-pneum. valve, bistable, solenoid P, W - size 19**

5/2-way



Connectors at the end of this section



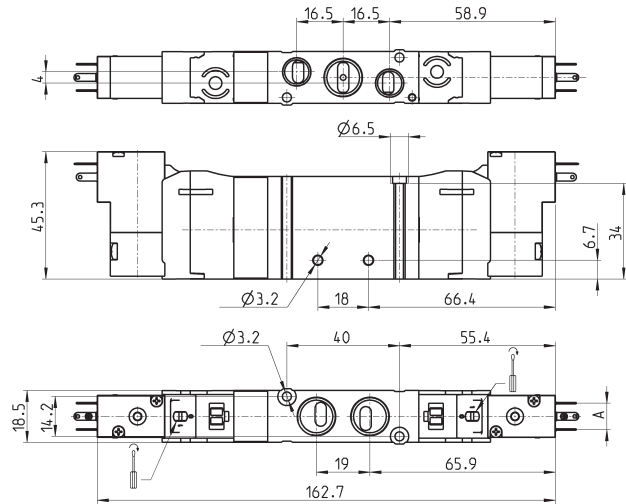
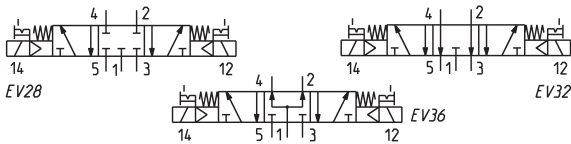
| Mod.         | Ports 1-2-4 | Ports 3-5 | A   | Operating pressure (bar) | Flow (NL/min) |
|--------------|-------------|-----------|-----|--------------------------|---------------|
| EN551-11-P13 | G1/4        | G1/8      | 9,4 | 2 ÷ 10                   | 920           |
| EN551-11-P54 | G1/4        | G1/8      | 9,4 | 2 ÷ 10                   | 920           |
| EN551-11-P56 | G1/4        | G1/8      | 9,4 | 2 ÷ 10                   | 920           |
| EN551-11-W53 | G1/4        | G1/8      | 8   | 2 ÷ 10                   | 920           |
| EN551-11-W54 | G1/4        | G1/8      | 8   | 2 ÷ 10                   | 920           |

**Electro-pneumatic valve, solenoid P, W - size 19**

5/3-way  
CC = Centres Closed  
CO = Centres Open  
CP = Pressure Centres



Connectors at the end of this section



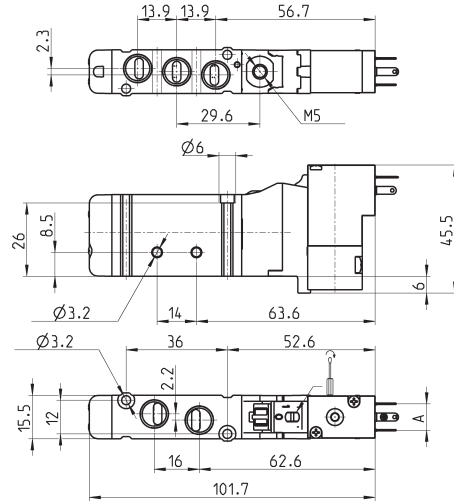
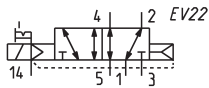
| Mod.         | Ports 1-2-4 | Ports 3-5 | A   | Operating pressure (bar) | Flow (NL/min) | Symbol |
|--------------|-------------|-----------|-----|--------------------------|---------------|--------|
| EN651-11-P.. | G1/4        | G1/8      | 9,4 | 3 ÷ 10                   | 920           | EV28   |
| EN751-11-P.. | G1/4        | G1/8      | 9,4 | 3 ÷ 10                   | 920           | EV32   |
| EN851-11-P.. | G1/4        | G1/8      | 9,4 | 3 ÷ 10                   | 920           | EV36   |
| EN651-11-W.. | G1/4        | G1/8      | 8   | 3 ÷ 10                   | 920           | EV28   |
| EN751-11-W.. | G1/4        | G1/8      | 8   | 3 ÷ 10                   | 920           | EV32   |
| EN851-11-W.. | G1/4        | G1/8      | 8   | 3 ÷ 10                   | 920           | EV36   |

**Electro-pneum. valve, monost. ext. servo-pilot sup., sol. P/W - size 16**

5/2-way



Connectors at the end of this section



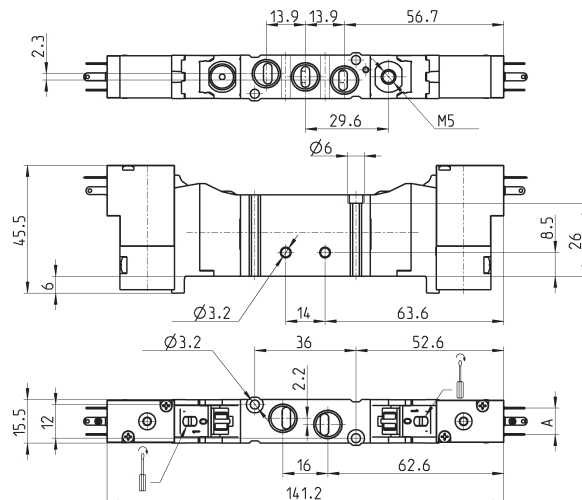
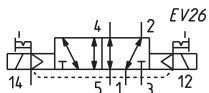
| Mod.         | Ports | A   | Pilot supply | Pilot supply pressure (bar) | Operating pressure (bar) | Flow (NI/min) |
|--------------|-------|-----|--------------|-----------------------------|--------------------------|---------------|
| EN531-E16-P. | G1/8  | 9,4 | M5           | 2,5 ÷ 10                    | -0,9 ÷ 10                | 550           |
| EN531-E16-W. | G1/8  | 8   | M5           | 2,5 ÷ 10                    | -0,9 ÷ 10                | 550           |

**Electro-pneum. valve, bistable ext. servo-pilot sup., sol. P/W - size 16**

5/2-way



Connectors at the end of this section

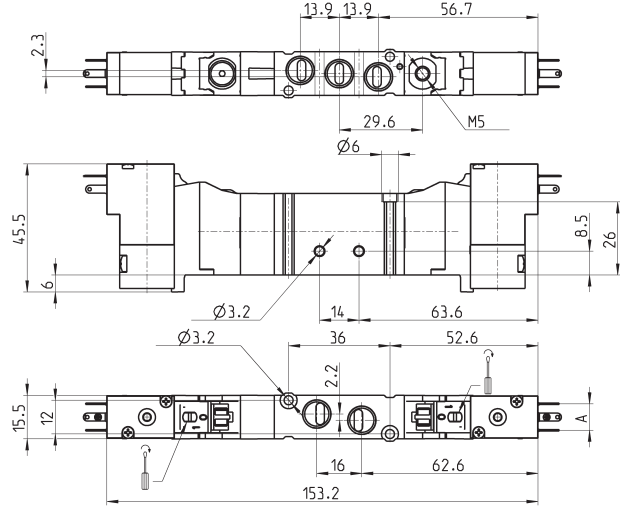


| Mod.         | Ports | A   | Pilot supply | Pilot supply pressure (bar) | Operating pressure (bar) | Flow (NI/min) |
|--------------|-------|-----|--------------|-----------------------------|--------------------------|---------------|
| EN531-E11-P. | G1/8  | 9,4 | M5           | 2 ÷ 10                      | -0,9 ÷ 10                | 550           |
| EN531-E11-W. | G1/8  | 8   | M5           | 2 ÷ 10                      | -0,9 ÷ 10                | 550           |

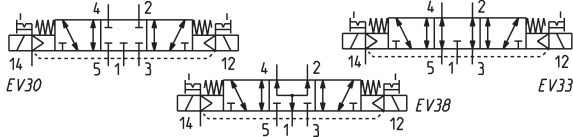
**Electro-pneum. valve, ext. servo-pilot supply, solenoid P, W - size 16**



5/3-way  
CC = Centres Closed  
CO = Centres Open  
CP = Pressure Centres



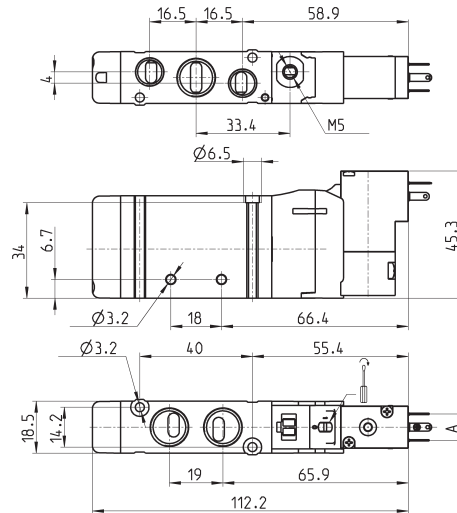
Connectors at the end of this section



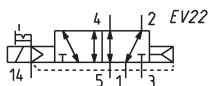
| Mod.          | Ports | A   | Pilot supply | Pilot supply pressure (bar) | Operating pressure (bar) | Flow (NL/min) | Symbol |
|---------------|-------|-----|--------------|-----------------------------|--------------------------|---------------|--------|
| EN631-E11-P.. | G1/8  | 9,4 | M5           | 3 ÷ 10                      | -0,9 ÷ 10                | 550           | EV30   |
| EN731-E11-P.. | G1/8  | 9,4 | M5           | 3 ÷ 10                      | -0,9 ÷ 10                | 550           | EV33   |
| EN831-E11-P.. | G1/8  | 9,4 | M5           | 3 ÷ 10                      | -0,9 ÷ 10                | 550           | EV38   |
| EN631-E11-W.. | G1/8  | 8   | M5           | 3 ÷ 10                      | -0,9 ÷ 10                | 550           | EV30   |
| EN731-E11-W.. | G1/8  | 8   | M5           | 3 ÷ 10                      | -0,9 ÷ 10                | 550           | EV33   |
| EN831-E11-W.. | G1/8  | 8   | M5           | 3 ÷ 10                      | -0,9 ÷ 10                | 550           | EV38   |

**Electro-pneum. valve, monost. ext. servo-pilot sup., sol. P/W - size 19**

5/2-way



Connectors at the end of this section



| Mod.          | Ports 1-2-4 | Ports 3-5 | A   | Pilot supply | Pilot supply pressure (bar) | Operating pressure (bar) | Flow (NL/min) |
|---------------|-------------|-----------|-----|--------------|-----------------------------|--------------------------|---------------|
| EN551-E16-P.. | G1/4        | G1/8      | 9,4 | M5           | 2,5 ÷ 10                    | -0,9 ÷ 10                | 920           |
| EN551-E16-W.. | G1/4        | G1/8      | 8   | M5           | 2,5 ÷ 10                    | -0,9 ÷ 10                | 920           |

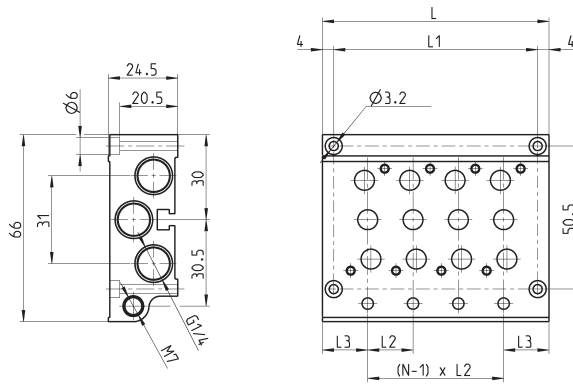




**Manifold for valves size 16 and 19 (outlets on the body valve)**



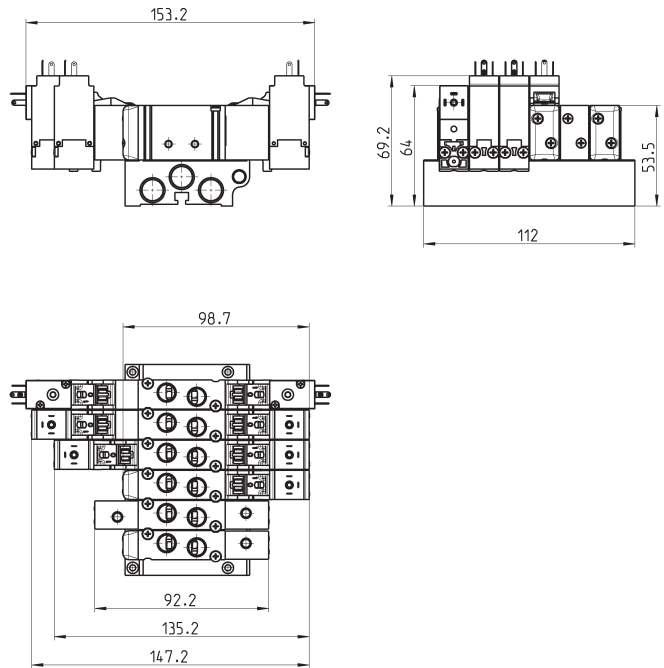
SERIES EN VALVES AND SOLENOID VALVES



| Mod.       | Nr of valve positions | L   | L1  | L2 | L3 |
|------------|-----------------------|-----|-----|----|----|
| EN531-1002 | 2                     | 48  | 40  | 16 | 16 |
| EN531-1003 | 3                     | 64  | 56  | 16 | 16 |
| EN531-1004 | 4                     | 80  | 72  | 16 | 16 |
| EN531-1005 | 5                     | 96  | 88  | 16 | 16 |
| EN531-1006 | 6                     | 112 | 104 | 16 | 16 |
| EN531-1008 | 8                     | 144 | 136 | 16 | 16 |
| EN531-1010 | 10                    | 176 | 168 | 16 | 16 |
| EN531-1012 | 12                    | 208 | 200 | 16 | 16 |
| EN551-1002 | 2                     | 53  | 45  | 19 | 17 |
| EN551-1003 | 3                     | 72  | 64  | 19 | 17 |
| EN551-1004 | 4                     | 91  | 83  | 19 | 17 |
| EN551-1005 | 5                     | 110 | 102 | 19 | 17 |
| EN551-1006 | 6                     | 129 | 121 | 19 | 17 |
| EN551-1008 | 8                     | 167 | 159 | 19 | 17 |
| EN551-1010 | 10                    | 205 | 197 | 19 | 17 |
| EN551-1012 | 12                    | 243 | 235 | 19 | 17 |

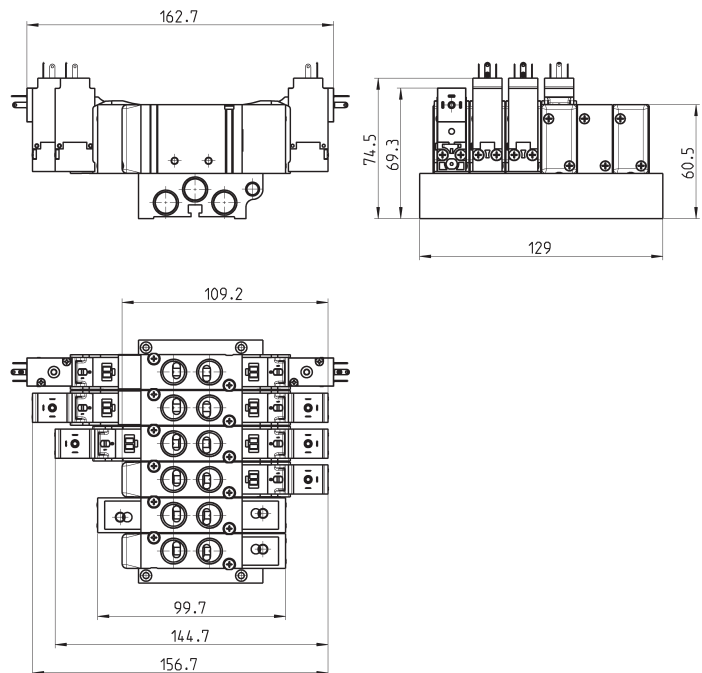
**Manifolds complete with valves with outlets on the body - size 16**

ports G1/8



**Manifolds complete with valves with outlets on the body - size 19**

ports G1/4



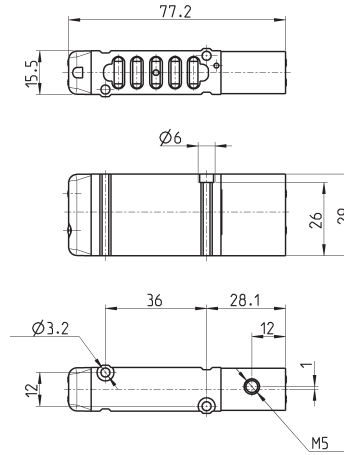
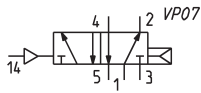
**CODING EXAMPLE**

|           |          |          |          |          |           |          |            |
|-----------|----------|----------|----------|----------|-----------|----------|------------|
| <b>EN</b> | <b>5</b> | <b>3</b> | <b>0</b> | <b>-</b> | <b>11</b> | <b>-</b> | <b>PN3</b> |
|-----------|----------|----------|----------|----------|-----------|----------|------------|

|            |   |
|------------|---|
| <b>EN</b>  | SERIES  |
| <b>5</b>   | <p>FUNCTION:<br/>                     5 = 5/2<br/>                     6 = 5/3 Centre Closed<br/>                     7 = 5/3 Centre Open<br/>                     8 = 5/3 Pressure Centre</p>  |
| <b>3</b>   | <p>SIZE:<br/>                     3 = size 16<br/>                     5 = size 19</p>  |
| <b>0</b>   | <p>BODY TYPE:<br/>                     0 = body for sub-base</p>  |
| <b>11</b>  | <p>ACTUATION:<br/>                     11 = electro-pneumatic, bistable<br/>                     16 = electro-pneumatic, monostable<br/>                     33 = pneumatic bistable<br/>                     36 = pneumatic monostable<br/>                     E11 = electro-pneumatic, bistable with external servo-pilot supply<br/>                     E16 = electro-pneumatic, monostable with external servo-pilot supply</p>   |
| <b>PN3</b> | <p>TYPE OF SOLENOID:<br/>                     PN3 = 24V DC - 1W<br/>                     PN4 = 48V DC - 2W<br/>                     PN6 = 110V DC - 2W<br/>                     PN7 = 230V - 2W<br/>                     P13 = 24V DC - 1W<br/>                     P54 = 48V DC - 2W<br/>                     P56 = 110V DC - 2W<br/>                     W53 = 24V DC - 2W<br/>                     W54 = 48V DC - 2W</p> <p>In case of applications with alternate current, use a bridge rectifier connector (see connectors at the end of this section)</p> |

**Monostable pneumatic valve with outlets on sub-base - size 16**

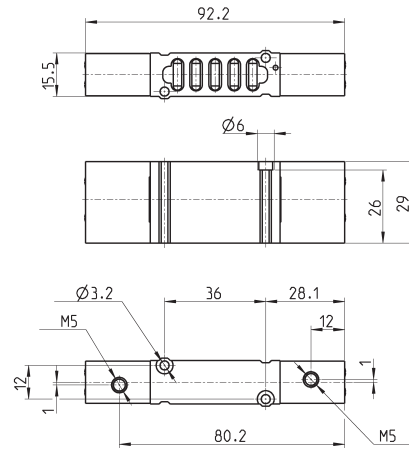
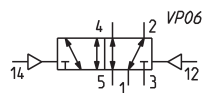
5/2-way



| Mod.     | Pilot supply | min. pilot Pressure (bar) | Working pressure (bar) | Flow rate (NI/min) |
|----------|--------------|---------------------------|------------------------|--------------------|
| EN530-36 | M5           | 2,5                       | 2,5 ÷ 10               | 610                |

**Bistable pneumatic valve with outlets on sub-base - size 16**

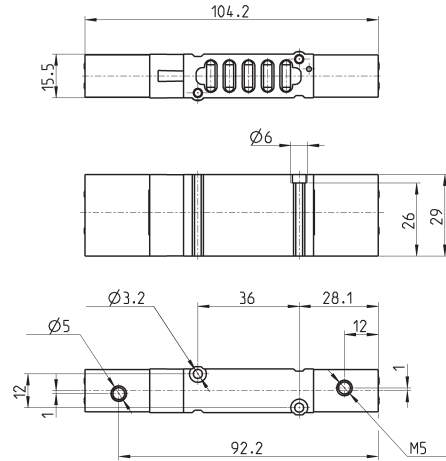
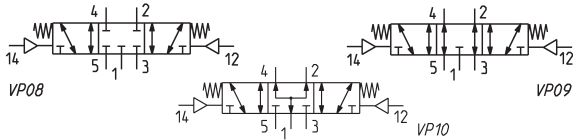
5/2-way



| Mod.     | Pilot supply | min. pilot pressure (bar) | Working pressure (bar) | Flow rate (NI/min) |
|----------|--------------|---------------------------|------------------------|--------------------|
| EN530-33 | M5           | 2                         | -0,9 ÷ 10              | 610                |

**Pneumatically actuated valve with outlets on sub-base - size 16**

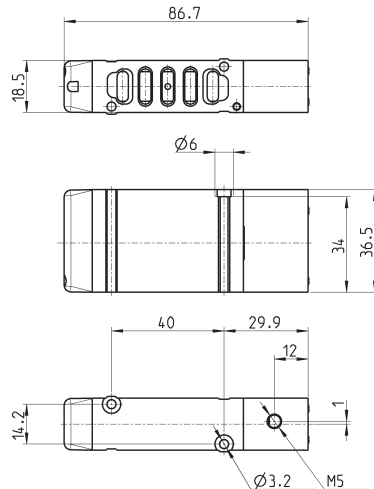
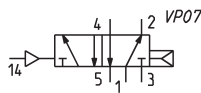
5/3-way  
CC = Centres Closed  
CO = Centres Open  
CP = Centres in Pressure



| Mod.     | Pilot supply | min. pilot pressure (bar) | Working pressure (bar) | Flow rate (NI/min) | Symbol |
|----------|--------------|---------------------------|------------------------|--------------------|--------|
| EN630-33 | M5           | 3                         | -0,9 ÷ 10              | 610                | VP08   |
| EN730-33 | M5           | 3                         | -0,9 ÷ 10              | 610                | VP09   |
| EN830-33 | M5           | 3                         | -0,9 ÷ 10              | 610                | VP10   |

**Pneumatic valve, monostable with outlets on sub-base - size 19**

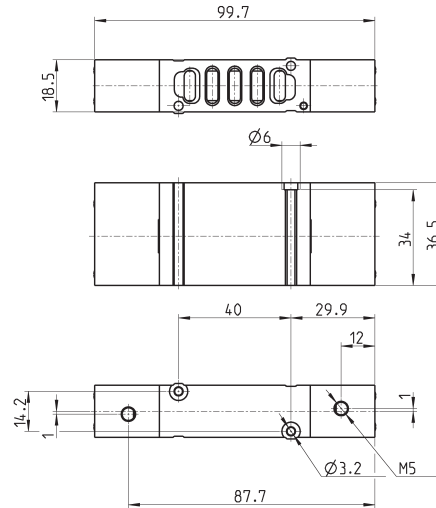
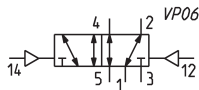
5/2-way



| Mod.     | Pilot supply | min. pilot pressure (bar) | working P. (bar) | Flow rate (NI/min) |
|----------|--------------|---------------------------|------------------|--------------------|
| EN550-36 | M5           | 2,5                       | 2 ÷ 10           | 1000               |

**Pneumatic valve, bistable with outlets on sub-base - size 19**

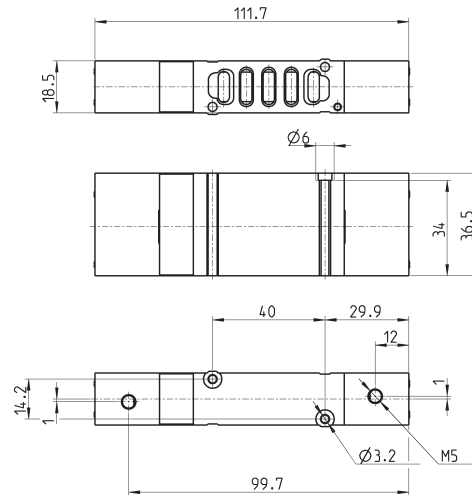
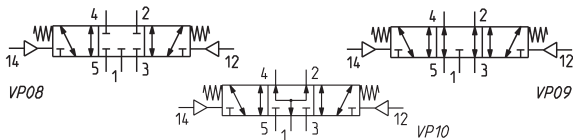
5/2-way



| Mod.     | Pilot supply | min. pilot pressure (bar) | Working pressure (bar) | Flow rate NI/min |
|----------|--------------|---------------------------|------------------------|------------------|
| EN550-33 | M5           | 2                         | -0,9 ÷ 10              | 1000             |

**Pneumatically actuated valve with outlets on sub-base - size 19**

5/3-way  
 CC = Centres Closed  
 CO = Centres Open  
 CP = Centres in Pressure



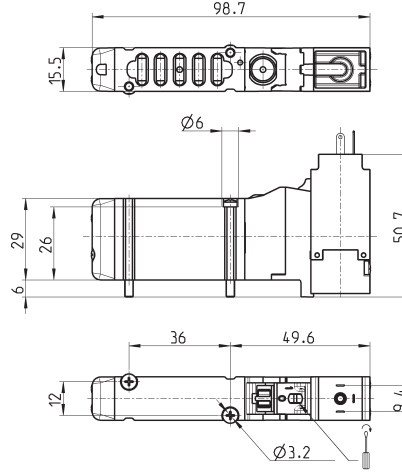
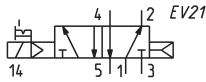
| Mod.     | Pilot supply | min. pilot pressure (bar) | working P. bar | Flow rate NI/min | Symbol |
|----------|--------------|---------------------------|----------------|------------------|--------|
| EN650-33 | M5           | 3                         | -0,9 ÷ 10      | 1000             | VP08   |
| EN750-33 | M5           | 3                         | -0,9 ÷ 10      | 1000             | VP09   |
| EN850-33 | M5           | 3                         | -0,9 ÷ 10      | 1000             | VP10   |

**Electropneumatic valve, monostable with outlets on sub-base - s. 16**

5/2-way



Connectors at the end of this section



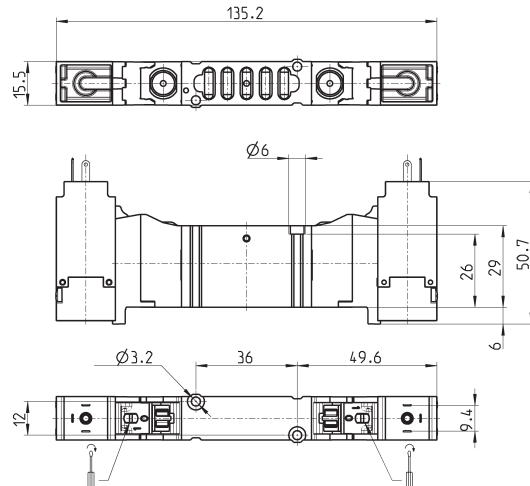
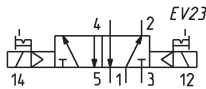
| Mod.          | Working pressure (bar) | Flow rate (NI/min) |
|---------------|------------------------|--------------------|
| EN530-16-PN.. | 2,5 ÷ 10               | 610                |

**Electropneumatic valve, bistable with outlets on sub-base - size 16**

5/2-way



Connectors at the end of this section

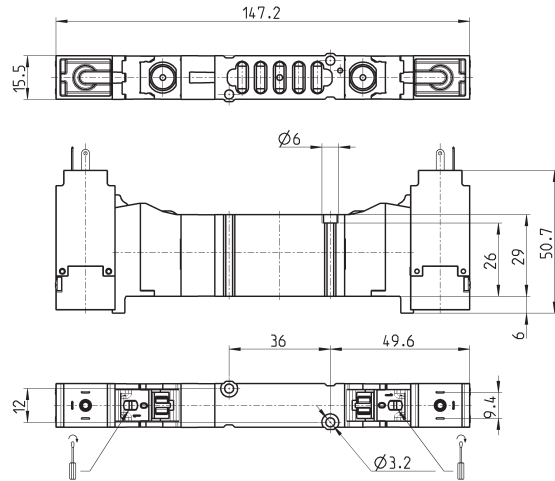


| Mod.          | Working pressure (bar) | Flow rate (NI/min) |
|---------------|------------------------|--------------------|
| EN530-11-PN.. | 2 ÷ 10                 | 610                |

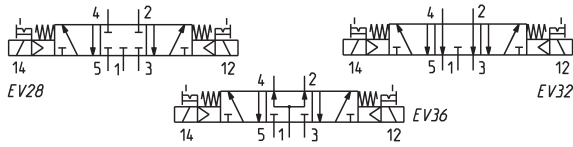


### Electropneumatically valve with outlets on sub-base - size 16

5/3-way  
 CC = Centres Closed  
 CO = Centres Open  
 CP = Centres in Pressure



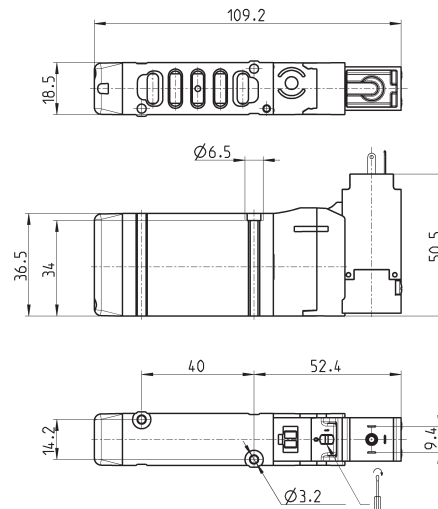
Connectors at the end of this section



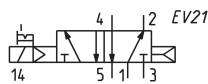
| Mod.          | Working pressure (bar) | Flow rate (NL/min) | Symbol |
|---------------|------------------------|--------------------|--------|
| EN630-11-PN.. | 3 ÷ 10                 | 610                | EV28   |
| EN730-11-PN.. | 3 ÷ 10                 | 610                | EV32   |
| EN830-11-PN.. | 3 ÷ 10                 | 610                | EV36   |

### Electropneumatic valve, monostable with outlets on sub-base - s. 19

5/2-way



Connectors at the end of this section



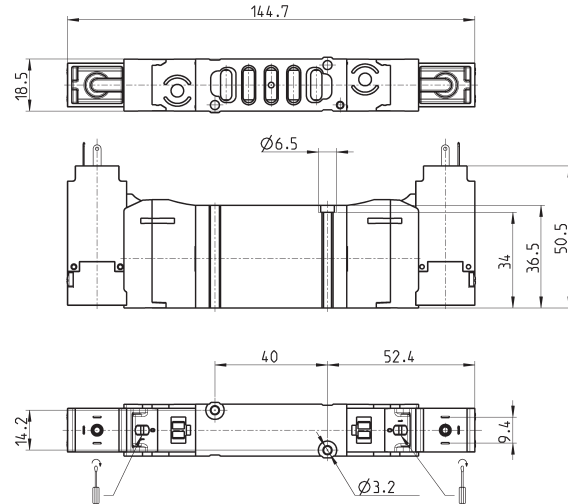
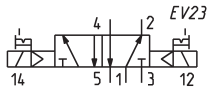
| Mod.          | Working pressure (bar) | Flow rate (NL/min) |
|---------------|------------------------|--------------------|
| EN550-16-PN.. | 2,5 ÷ 10               | 1000               |

## Electropneumatic valve, bistable with outlets on sub-base - size 19

5/2-way



Connectors at the end of this section



| Mod.          | Working pressure (bar) | Flow rate (NL/min) |
|---------------|------------------------|--------------------|
| EN550-11-PN.. | 3 ÷ 10                 | 1000               |

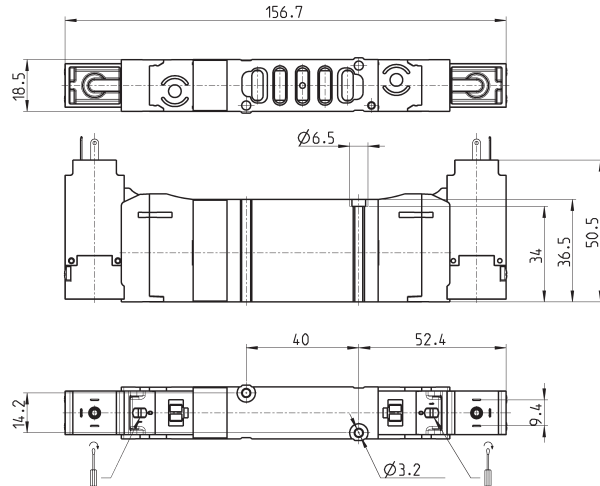
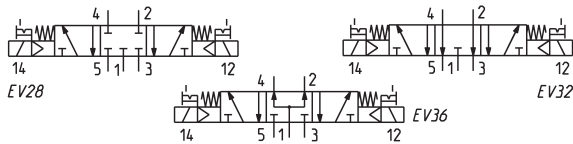
## Electropneumatic valve with outlets on sub-base - size 19

5/3-way

CC = Centres Closed  
CO = Centres Open  
CP = Centres in Pressure



Connectors at the end of this section



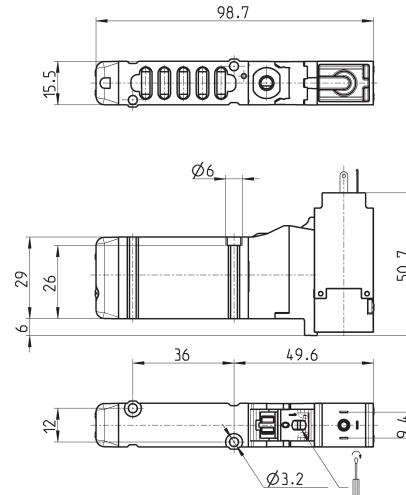
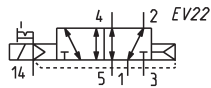
| Mod.          | Working pressure (bar) | Flow rate (NL/min) | Symbol |
|---------------|------------------------|--------------------|--------|
| EN650-11-PN.. | 3 ÷ 10                 | 1000               | EV28   |
| EN750-11-PN.. | 3 ÷ 10                 | 1000               | EV32   |
| EN850-11-PN.. | 3 ÷ 10                 | 1000               | EV36   |

**Electro-pn. monost. valve, ext. pilot supply, outlets on sub-base - s. 16**

5/2-way



Connectors at the end of this section



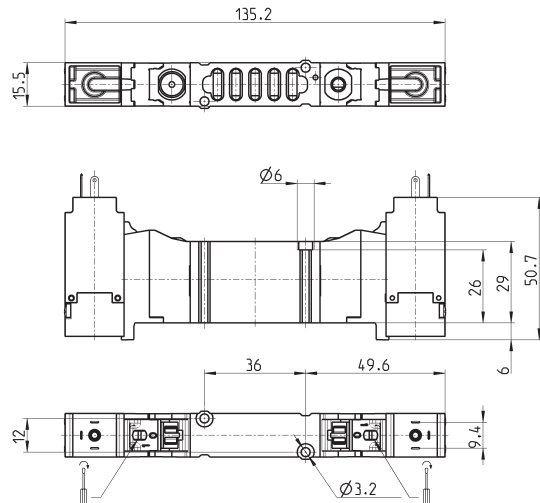
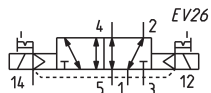
| Mod.           | Pilot supply pressure (bar) | Operating pressure (bar) | Flow (NI/min) |
|----------------|-----------------------------|--------------------------|---------------|
| EN530-E16-PN.. | 2,5 ÷ 10                    | - 0,9 ÷ 10               | 610           |

**Electro-pn. bistable valve, ext. pilot supply, outlets on sub-base - s. 16**

5/2-way



Connectors at the end of this section



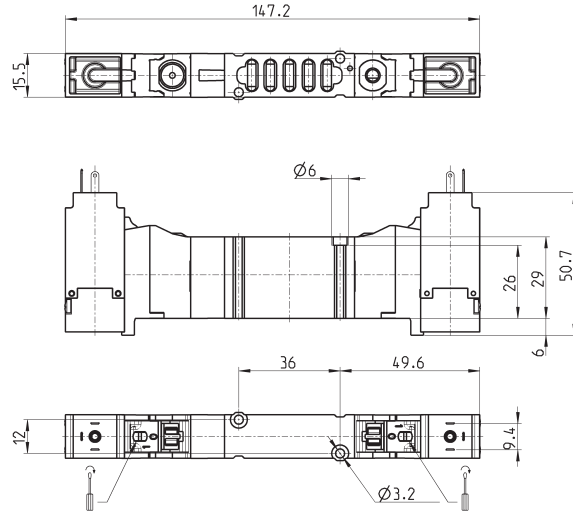
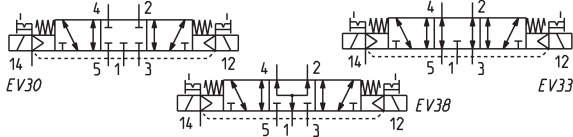
| Mod.           | Pilot supply pressure (bar) | Operating pressure (bar) | Flow (NI/min) |
|----------------|-----------------------------|--------------------------|---------------|
| EN530-E11-PN.. | 2 ÷ 10                      | - 0,9 ÷ 10               | 610           |

**Electro-pneumatic valve, ext. pilot supply, outlets on sub-base - s. 16**



5/3-way  
CC = Centres Closed  
CO = Centres Open  
CP = Centres in Pressure

Connectors at the end of this section



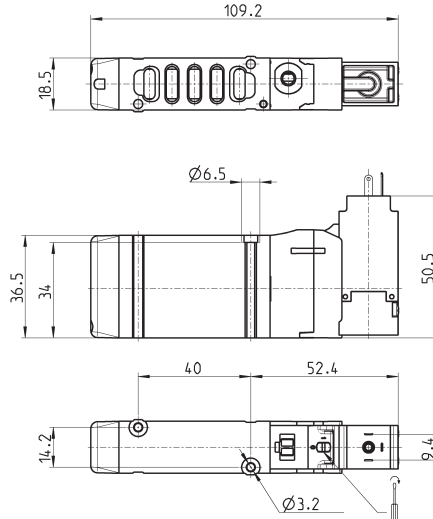
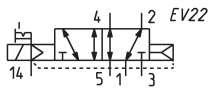
| Mod.           | Pilot supply pressure (bar) | Operating pressure (bar) | Flow (NI/min) | Symbol |
|----------------|-----------------------------|--------------------------|---------------|--------|
| EN630-E11-PN.. | 3 ÷ 10                      | -0,9 ÷ 10                | 610           | EV30   |
| EN730-E11-PN.. | 3 ÷ 10                      | -0,9 ÷ 10                | 610           | EV33   |
| EN830-E11-PN.. | 3 ÷ 10                      | -0,9 ÷ 10                | 610           | EV38   |

**Electro-pn. monost. valve, ext. pilot supply, outlets on sub-base - s. 19**

5/2-way



Connectors at the end of this section



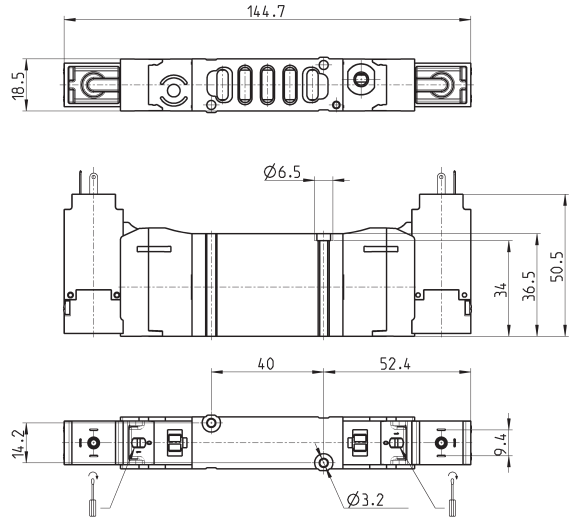
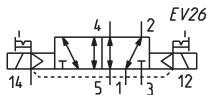
| Mod.           | Pilot supply pressure (bar) | Operating pressure (bar) | Flow (NI/min) |
|----------------|-----------------------------|--------------------------|---------------|
| EN550-E16-PN.. | 2,5 ÷ 10                    | - 0,9 ÷ 10               | 1000          |

**Electro-pn. bistable valve, ext. pilot supply, outlets on sub-base - s. 19**

5/2-way



Connectors at the end of this section



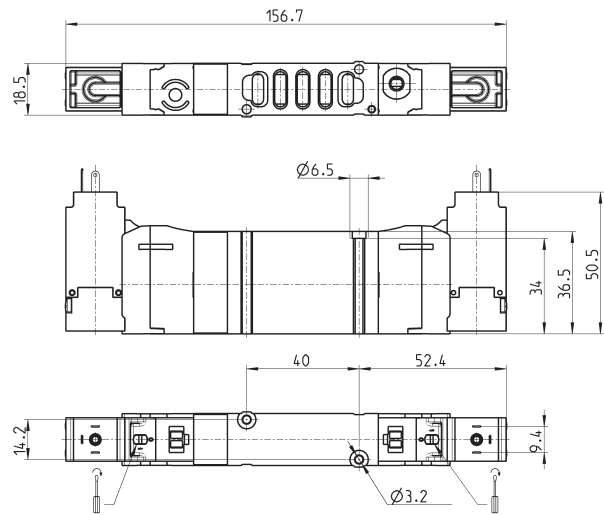
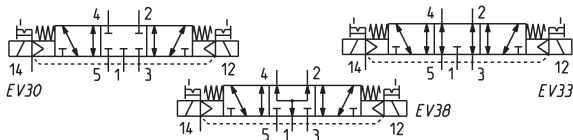
| Mod.           | Pilot supply pressure (bar) | Operating pressure (bar) | Flow (NI/min) |
|----------------|-----------------------------|--------------------------|---------------|
| EN550-E11-PN.. | 2 ÷ 10                      | -0,9 ÷ 10                | 1000          |

**Electro-pneumatic valve, ext. pilot supply, outlets on sub-base - s. 19**

5/3-way  
 CC = Centres Closed  
 CO = Centres Open  
 CP = Centres in Pressure



Connectors at the end of this section



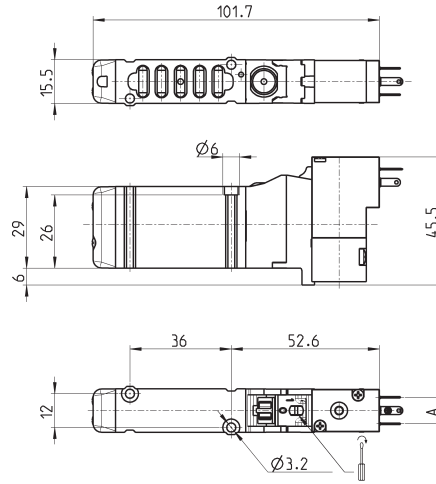
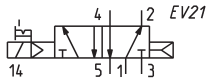
| Mod.           | Pilot supply pressure (bar) | Operating pressure (bar) | Flow (NI/min) | Symbol |
|----------------|-----------------------------|--------------------------|---------------|--------|
| EN650-E11-PN.. | 3 ÷ 10                      | -0,9 ÷ 10                | 1000          | EV30   |
| EN750-E11-PN.. | 3 ÷ 10                      | -0,9 ÷ 10                | 1000          | EV33   |
| EN850-E11-PN.. | 3 ÷ 10                      | -0,9 ÷ 10                | 1000          | EV38   |

**Electro-pn. monostable valve, sol. P / W, outlets on sub-base - s. 16**

5/2-way



Connectors at the end of this section



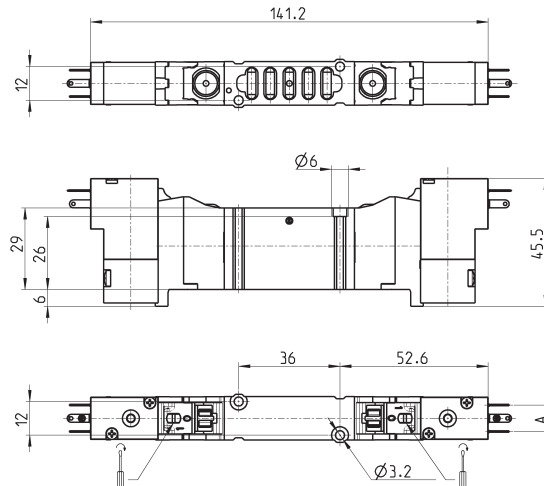
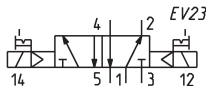
| Mod.         | A   | Operating pressure (bar) | Flow (NI/min) |
|--------------|-----|--------------------------|---------------|
| EN530-16-P13 | 9,4 | 2,5 ÷ 10                 | 610           |
| EN530-16-P54 | 9,4 | 2,5 ÷ 10                 | 610           |
| EN530-16-P56 | 9,4 | 2,5 ÷ 10                 | 610           |
| EN530-16-W53 | 8   | 2,5 ÷ 10                 | 610           |
| EN530-16-W54 | 8   | 2,5 ÷ 10                 | 610           |

**Electro-pn. bistable valve, sol. P / W, outlets on sub-base - size 16**

5/2-way



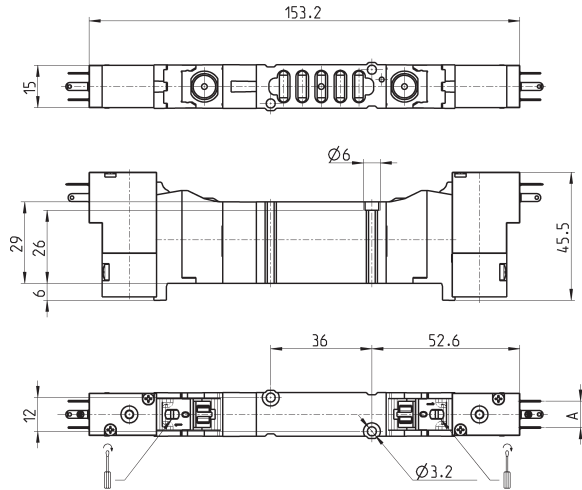
Connectors at the end of this section



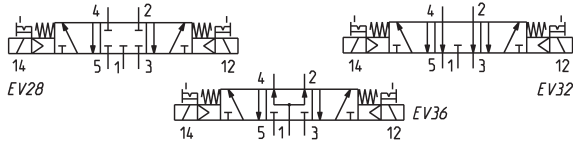
| Mod.         | A   | Operating pressure (bar) | Flow (NI/min) |
|--------------|-----|--------------------------|---------------|
| EN530-11-P13 | 9,4 | 2 ÷ 10                   | 610           |
| EN530-11-P54 | 9,4 | 2 ÷ 10                   | 610           |
| EN530-11-P56 | 9,4 | 2 ÷ 10                   | 610           |
| EN530-11-W53 | 8   | 2 ÷ 10                   | 610           |
| EN530-11-W54 | 8   | 2 ÷ 10                   | 610           |

**Electro-pneumatic valve, sol. P / W, outlets on sub-base - size 16**

5/3-way  
 CC = Centres Closed  
 CO = Centres Open  
 CP = Centres in Pressure



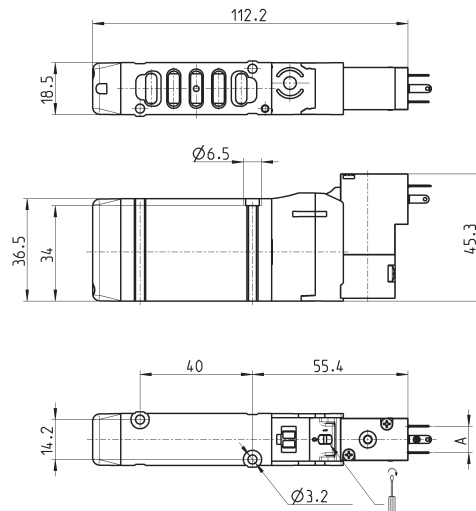
Connectors at the end of this section



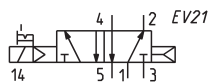
| Mod.         | A   | Operating pressure (bar) | Flow (NL/min) | Symbol |
|--------------|-----|--------------------------|---------------|--------|
| EN630-11-P.. | 9,4 | 3 ÷ 10                   | 610           | EV28   |
| EN730-11-P.. | 9,4 | 3 ÷ 10                   | 610           | EV32   |
| EN830-11-P.. | 9,4 | 3 ÷ 10                   | 610           | EV36   |
| EN630-11-W.. | 8   | 3 ÷ 10                   | 610           | EV28   |
| EN730-11-W.. | 8   | 3 ÷ 10                   | 610           | EV32   |
| EN830-11-W.. | 8   | 3 ÷ 10                   | 610           | EV36   |

**Electro-pn. monostable valve, sol. P / W, outlets on sub-base - s. 19**

5/2-way



Connectors at the end of this section



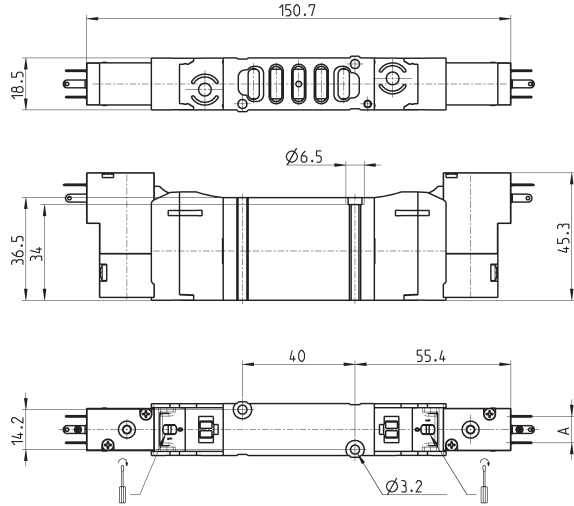
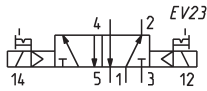
| Mod.         | Operating pressure (bar) | Flow (NL/min) |
|--------------|--------------------------|---------------|
| EN550-16-P13 | 2,5 ÷ 10                 | 1000          |
| EN550-16-P54 | 2,5 ÷ 10                 | 1000          |
| EN550-16-P56 | 2,5 ÷ 10                 | 1000          |
| EN550-16-W53 | 2,5 ÷ 10                 | 1000          |
| EN550-16-W54 | 2,5 ÷ 10                 | 1000          |

**Electro-pn. bistable valve, sol. P / W, outlets on sub-base - size 19**

5/2-way



Connectors at the end of this section



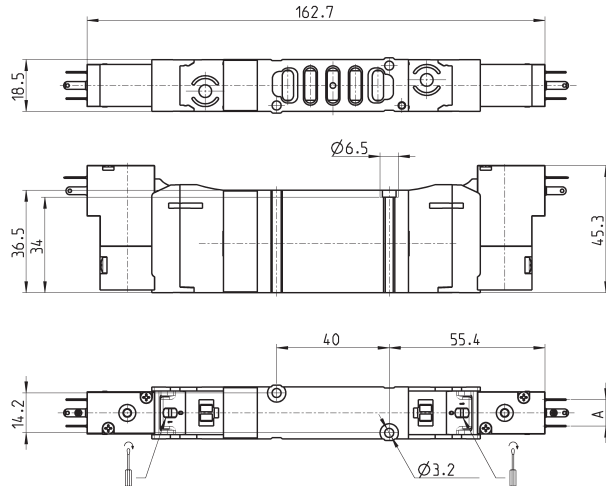
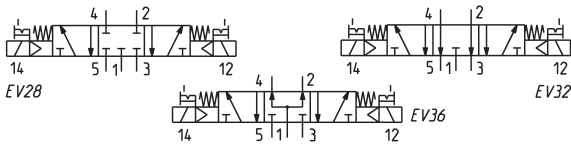
| Mod.         | A   | Operating pressure (bar) | Flow (NI/min) |
|--------------|-----|--------------------------|---------------|
| EN550-11-P13 | 9,4 | 2 ÷ 10                   | 1000          |
| EN550-11-P54 | 9,4 | 2 ÷ 10                   | 1000          |
| EN550-11-P56 | 9,4 | 2 ÷ 10                   | 1000          |
| EN550-11-W53 | 8   | 2 ÷ 10                   | 1000          |
| EN550-11-W54 | 8   | 2 ÷ 10                   | 1000          |

**Electro-pneumatic valve, sol. P / W, outlets on sub-base - size 19**

5/3-way  
CC = Centres Closed  
CO = Centres Open  
CP = Centres in Pressure



Connectors at the end of this section



| Mod.         | A   | Operating pressure (bar) | Flow (NI/min) | Symbol |
|--------------|-----|--------------------------|---------------|--------|
| EN650-11-P.. | 9,4 | 3 ÷ 10                   | 1000          | EV28   |
| EN750-11-P.. | 9,4 | 3 ÷ 10                   | 1000          | EV32   |
| EN850-11-P.. | 9,4 | 3 ÷ 10                   | 1000          | EV36   |
| EN650-11-W.. | 8   | 3 ÷ 10                   | 1000          | EV28   |
| EN750-11-W.. | 8   | 3 ÷ 10                   | 1000          | EV32   |
| EN850-11-W.. | 8   | 3 ÷ 10                   | 1000          | EV36   |

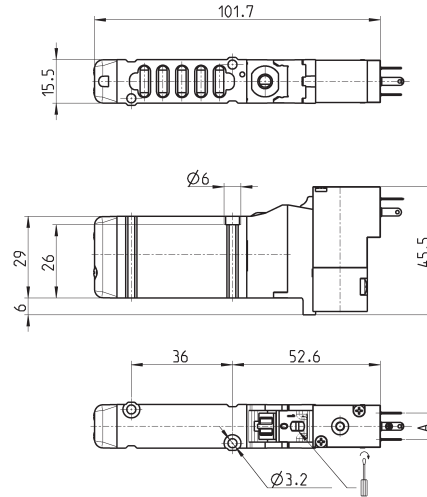
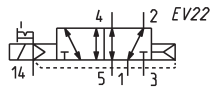


**Electro-pn. mono. valve, pilot sup. sol. P / W, outlets on base - s. 16**

5/2-way



Connectors at the end of this section



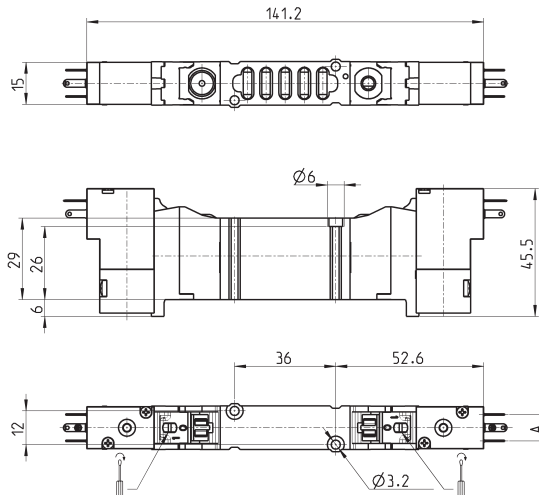
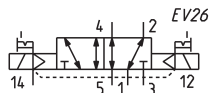
| Mod.          | A   | Pilot supply pressure (bar) | Operating pressure (bar) | Flow (NL/min) |
|---------------|-----|-----------------------------|--------------------------|---------------|
| EN530-E16-P.. | 9,4 | 2,5 ÷ 10                    | -0,9 ÷ 10                | 610           |
| EN530-E16-W.. | 8   | 2,5 ÷ 10                    | -0,9 ÷ 10                | 610           |

**Electro-pn. bistab. valve, pilot sup. sol. P / W, outlets on base - s. 16**

5/2-way



Connectors at the end of this section



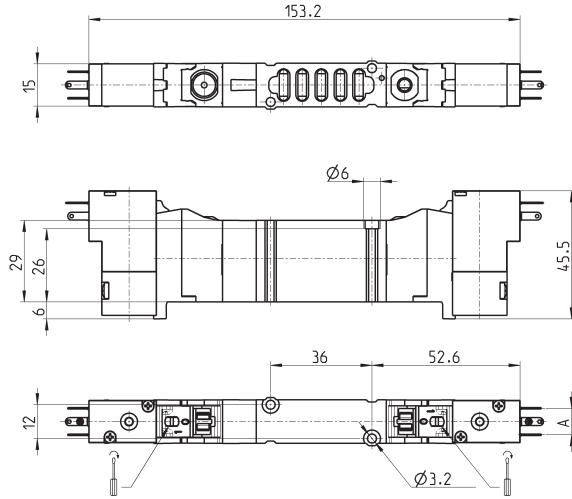
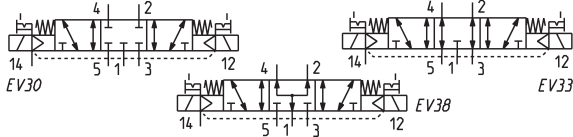
| Mod.          | A   | Pilot supply pressure (bar) | Operating pressure (bar) | Flow (NL/min) |
|---------------|-----|-----------------------------|--------------------------|---------------|
| EN530-E11-P.. | 9,4 | 2 ÷ 10                      | -0,9 ÷ 10                | 610           |
| EN530-E11-W.. | 8   | 2 ÷ 10                      | -0,9 ÷ 10                | 610           |

**Electro-pneum. valve, pilot sup. sol. P / W, outlets on base - s. 16**



5/3-way  
CC = Centres Closed  
CO = Centres Open  
CP = Centres in Pressure

Connectors at the end of this section



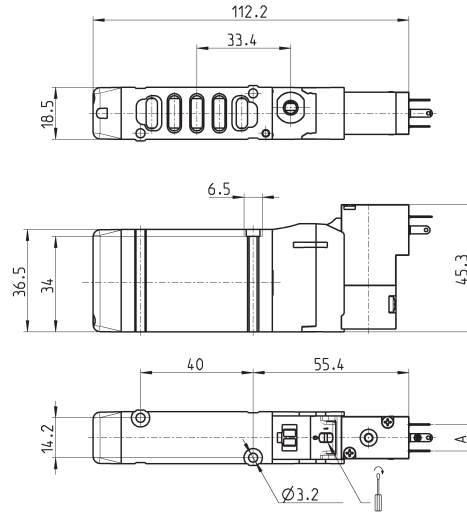
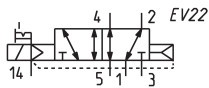
| Mod.          | A   | Pilot supply pressure (bar) | Operating pressure (bar) | Flow (NL/min) | Symbol |
|---------------|-----|-----------------------------|--------------------------|---------------|--------|
| EN630-E11-P.. | 9,4 | 3 ÷ 10                      | -0,9 ÷ 10                | 610           | EV30   |
| EN730-E11-P.. | 9,4 | 3 ÷ 10                      | -0,9 ÷ 10                | 610           | EV33   |
| EN830-E11-P.. | 9,4 | 3 ÷ 10                      | -0,9 ÷ 10                | 610           | EV38   |
| EN630-E11-W.. | 8   | 3 ÷ 10                      | -0,9 ÷ 10                | 610           | EV30   |
| EN730-E11-W.. | 8   | 3 ÷ 10                      | -0,9 ÷ 10                | 610           | EV33   |
| EN830-E11-W.. | 8   | 3 ÷ 10                      | -0,9 ÷ 10                | 610           | EV38   |

**Electro-pn. mono. valve, pilot sup. sol. P / W, outlets on base - s. 19**

5/2-way



Connectors at the end of this section



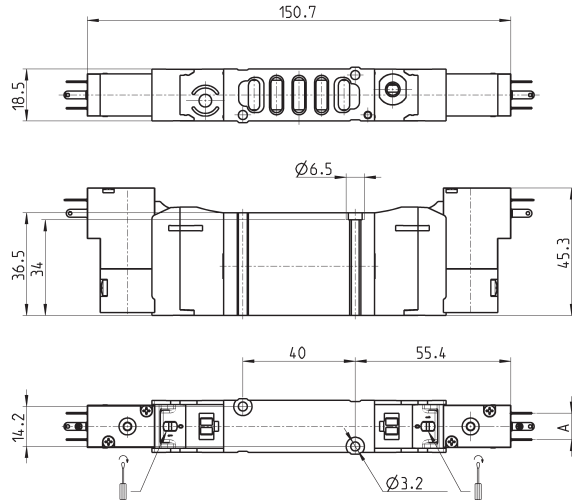
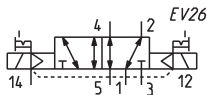
| Mod.          | A   | Pilot supply pressure (bar) | Operating pressure (bar) | Flow (NL/min) |
|---------------|-----|-----------------------------|--------------------------|---------------|
| EN550-E16-P.. | 9,4 | 2,5 ÷ 10                    | -0,9 ÷ 10                | 1000          |
| EN550-E16-W.. | 8   | 2,5 ÷ 10                    | -0,9 ÷ 10                | 1000          |

**Electro-pn. bistab. valve, pilot sup. sol. P / W, outlets on base - s. 19**

5/2-way



Connectors at the end of this section



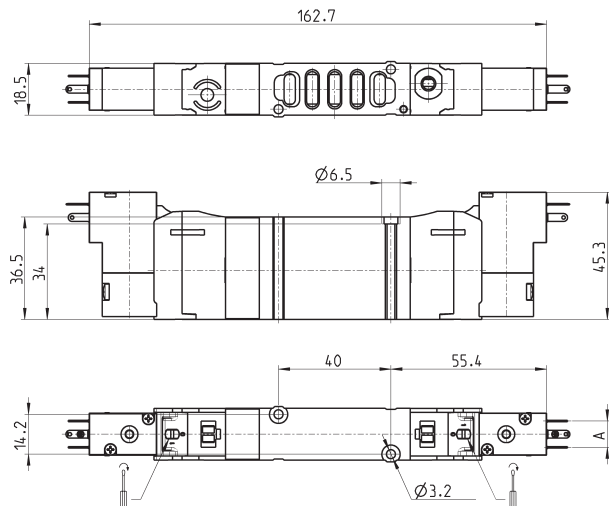
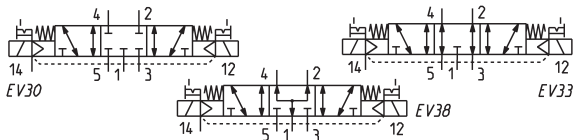
| Mod.         | A   | Pilot supply pressure (bar) | Operating pressure (bar) | Flow (NL/min) |
|--------------|-----|-----------------------------|--------------------------|---------------|
| EN550-E11-P. | 9,4 | 2 ÷ 10                      | -0,9 ÷ 10                | 1000          |
| EN550-E11-W. | 8   | 2 ÷ 10                      | -0,9 ÷ 10                | 1000          |

**Electro-pneum. valve, pilot sup. sol. P / W, outlets on base - s. 19**

5/3-way  
 CC = Centres Closed  
 CO = Centres Open  
 CP = Centres in Pressure

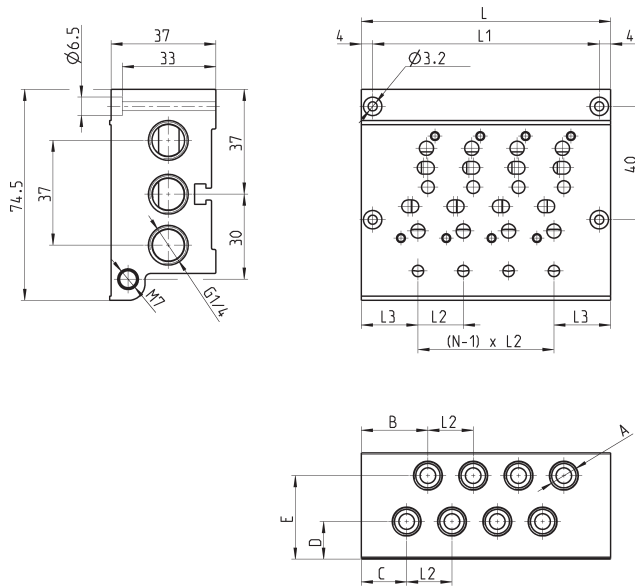


Connectors at the end of this section



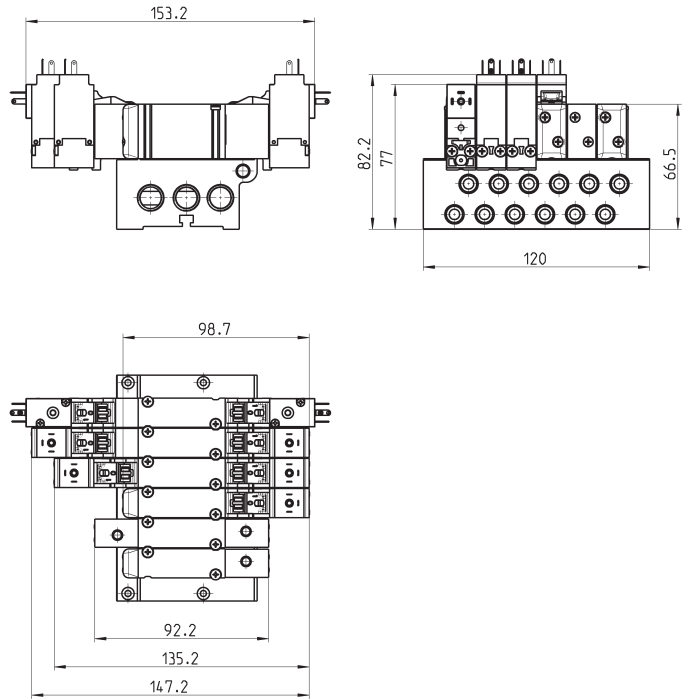
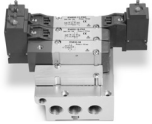
| Mod.         | A   | Pilot supply pressure (bar) | Operating pressure (bar) | Flow (NL/min) | Symbol |
|--------------|-----|-----------------------------|--------------------------|---------------|--------|
| EN650-E11-P. | 9,4 | 3 ÷ 10                      | -0,9 ÷ 10                | 1000          | EV30   |
| EN750-E11-P. | 9,4 | 3 ÷ 10                      | -0,9 ÷ 10                | 1000          | EV33   |
| EN850-E11-P. | 9,4 | 3 ÷ 10                      | -0,9 ÷ 10                | 1000          | EV38   |
| EN650-E11-W. | 8   | 3 ÷ 10                      | -0,9 ÷ 10                | 1000          | EV30   |
| EN750-E11-W. | 8   | 3 ÷ 10                      | -0,9 ÷ 10                | 1000          | EV33   |
| EN850-E11-W. | 8   | 3 ÷ 10                      | -0,9 ÷ 10                | 1000          | EV38   |

**Manifold for valves size 16 and 19 (outlets on manifolds)**

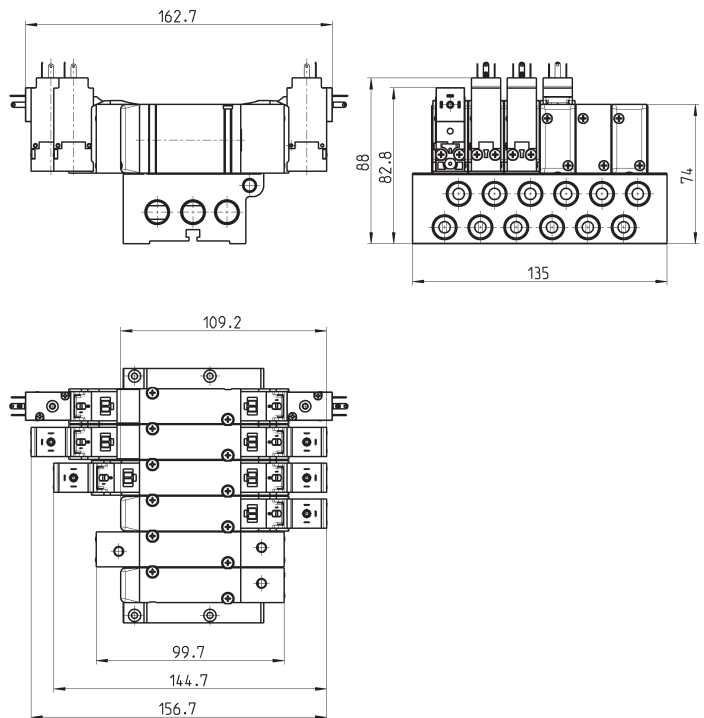
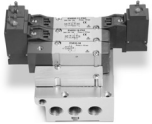


| Mod.       | Nr of valve positions | A    | B    | C    | D    | E    | L   | L1  | L2 | L3 |
|------------|-----------------------|------|------|------|------|------|-----|-----|----|----|
| EN530-2102 | 2                     | G1/8 | 23,5 | 16   | 12,8 | 29   | 56  | 48  | 16 | 20 |
| EN530-2103 | 3                     | G1/8 | 23,5 | 16   | 12,8 | 29   | 72  | 64  | 16 | 20 |
| EN530-2104 | 4                     | G1/8 | 23,5 | 16   | 12,8 | 29   | 88  | 80  | 16 | 20 |
| EN530-2105 | 5                     | G1/8 | 23,5 | 16   | 12,8 | 29   | 104 | 96  | 16 | 20 |
| EN530-2106 | 6                     | G1/8 | 23,5 | 16   | 12,8 | 29   | 120 | 112 | 16 | 20 |
| EN530-2108 | 8                     | G1/8 | 23,5 | 16   | 12,8 | 29   | 152 | 144 | 16 | 20 |
| EN530-2110 | 10                    | G1/8 | 23,5 | 16   | 12,8 | 29   | 184 | 176 | 16 | 20 |
| EN530-2112 | 12                    | G1/8 | 23,5 | 16   | 12,8 | 29   | 216 | 208 | 16 | 20 |
| EN550-2102 | 2                     | G1/4 | 23   | 15,5 | 10,5 | 28,2 | 59  | 51  | 19 | 20 |
| EN550-2103 | 3                     | G1/4 | 23   | 15,5 | 10,5 | 28,2 | 78  | 70  | 19 | 20 |
| EN550-2104 | 4                     | G1/4 | 23   | 15,5 | 10,5 | 28,2 | 97  | 89  | 19 | 20 |
| EN550-2105 | 5                     | G1/4 | 23   | 15,5 | 10,5 | 28,2 | 116 | 108 | 19 | 20 |
| EN550-2106 | 6                     | G1/4 | 23   | 15,5 | 10,5 | 28,2 | 135 | 127 | 19 | 20 |
| EN550-2108 | 8                     | G1/4 | 23   | 15,5 | 10,5 | 28,2 | 173 | 165 | 19 | 20 |
| EN550-2110 | 10                    | G1/4 | 23   | 15,5 | 10,5 | 28,2 | 211 | 203 | 19 | 20 |
| EN550-2112 | 12                    | G1/4 | 23   | 15,5 | 10,5 | 28,2 | 249 | 241 | 19 | 20 |

**Manifolds complete with base mounted valves - size 16**



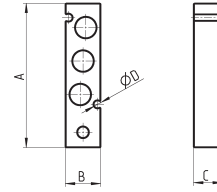
**Manifolds complete with base mounted valves - size 19**



### Blanking plate for manifolds - valves with outlets on the body



The following is supplied:  
1x blanking plate  
2x screws  
1x seal

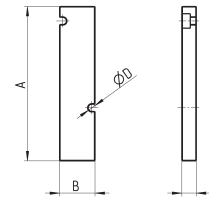


| Mod.     | Size | A  | B    | C  | ØD  |
|----------|------|----|------|----|-----|
| TP-EN531 | 16   | 60 | 14,5 | 12 | 3,2 |
| TP-EN551 | 19   | 62 | 17,3 | 12 | 3,2 |

### Blanking plate for manifolds - base mounted valves



The following is supplied:  
1x blanking plate  
2x screws  
1x seal



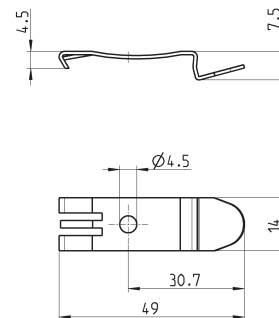
| Mod.     | Size | A  | B    | C | ØD  |
|----------|------|----|------|---|-----|
| TP-EN530 | 16   | 64 | 14,7 | 6 | 3,2 |
| TP-EN550 | 19   | 64 | 17   | 6 | 3,2 |

### Mounting brackets for DIN rail



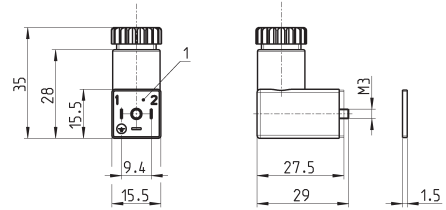
DIN EN 50022 (7,5mm x 35mm - width 1)  
Suitable for all manifolds.

Supplied with:  
2x plates  
2x screws M4x6 UNI 5931  
2x nuts



Mod.  
PCF-EN531

## Connector Mod. 125-... DIN 43650 pitch 9.4 mm



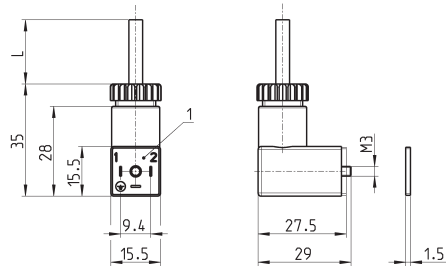
| Mod.    | description                    | colour      | working voltage | cable gland | tightening torque |
|---------|--------------------------------|-------------|-----------------|-------------|-------------------|
| 125-601 | connector, diode + Led         | transparent | 10/50 V DC      | PG7         | 0.3 Nm            |
| 125-701 | connector, varistor + Led      | transparent | 24 V AC/DC      | PG7         | 0.3 Nm            |
| 125-800 | connector, without electronics | black       | -               | PG7         | 0.3 Nm            |

1 = 90° adjustable connector

## Connector Mod. 125-... DIN 43650 pitch 9.4 mm with cable



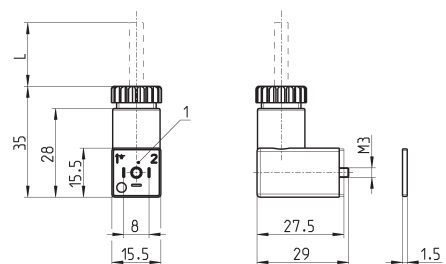
The internal rectifier circuit of the connector Mod. 125-900 allows to use solenoid valves with different AC voltage, even if the voltage indicated on the solenoid valve is DC.



| Mod.      | description                            | colour      | working voltage   | cable length [L] | cable gland | tightening torque |
|-----------|--|-------------|-------------------|------------------|-------------|-------------------|
| 125-501-2 | moulded cable with diode + Led         | black       | 10/50 V DC        | 2000 mm          | -           | 0.3 Nm            |
| 125-550-1 | moulded cable, without electronics     | black       | -                 | 1000 mm          | -           | 0.3 Nm            |
| 125-601-2 | pre-wired cable, diode + Led           | transparent | 10/50 V DC        | 2000 mm          | PG7         | 0.3 Nm            |
| 125-571-3 | moulded cable, varistor + Led          | black       | 24 V AC/DC        | 3000 mm          | -           | 0.3 Nm            |
| 125-900   | pre-wired cable with voltage rectifier | black       | 6 V - 110 V AC/DC | 2000 mm          | PG7         | 0.3 Nm            |

1 = 90° adjustable connector

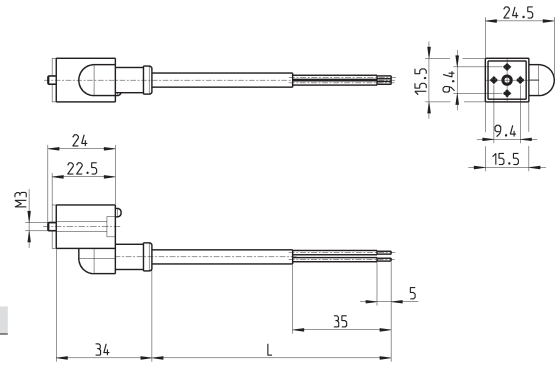
## Connector Mod. 126-... DIN 43650 pitch 8 mm



| Mod.      | description                        | colour      | working voltage | cable length [L] | cable gland | tightening torque |
|-----------|------------------------------------|-------------|-----------------|------------------|-------------|-------------------|
| 126-550-1 | moulded cable, without electronics | black       | -               | 1000 mm          | -           | 0.3 Nm            |
| 126-800   | connector, without electronics     | black       | -               | -                | PG7         | 0.3 Nm            |
| 126-701   | connector, varistor + Led          | transparent | 24 V AC/DC      | -                | PG7         | 0.3 Nm            |

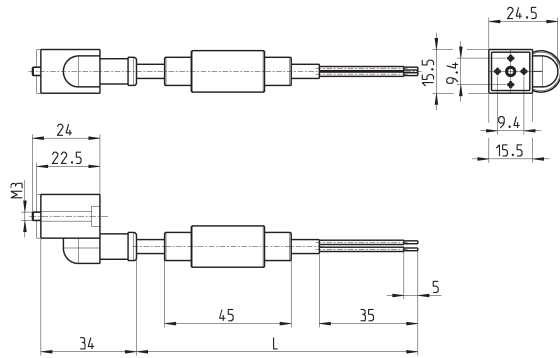
1 = 90° adjustable connector

### In-line connectors with cable



| Mod.      | description                                | colour | working voltage | cable length [ L ] | cable gland | tightening torque |
|-----------|--|--------|-----------------|--------------------|-------------|-------------------|
| 125-503-2 | in-line moulded cable, with diode + Led    | black  | 24 V DC         | 2000 mm            | -           | 0.3 Nm            |
| 125-503-5 | in-line moulded cable, with diode + Led    | black  | 24 V DC         | 5000 mm            | -           | 0.3 Nm            |
| 125-553-2 | in-line moulded cable, without electronics | black  | -               | 2000 mm            | -           | 0.3 Nm            |
| 125-553-5 | in-line moulded cable, without electronics | black  | -               | 5000 mm            | -           | 0.3 Nm            |

### In-line connectors with bridge rectifier



| Mod.      | description                                  | colour | working voltage   | cable length [ L ] | cable gland | tightening torque |
|-----------|--|--------|-------------------|--------------------|-------------|-------------------|
| 125-903-2 | in-line moulded cable with voltage rectifier | black  | 6 V - 230 V AC/DC | 2000 mm            | -           | 0.3 Nm            |
| 125-903-5 | in-line moulded cable with voltage rectifier | black  | 6 V - 230 V AC/DC | 5000 mm            | -           | 0.3 Nm            |