

# Flat suction cup (round)

SAF 60 NBR-60 RA

Part no.: 10.01.01.10799

<https://www.schmalz.com/10.01.01.10799>



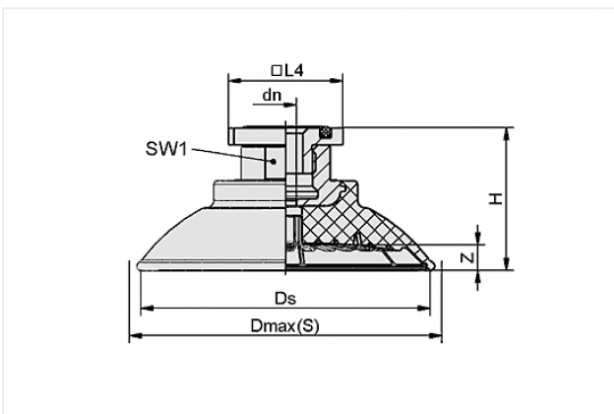
Homepage > Vacuum Technology for Automation > Vacuum Components > SAF 60 NBR-60 RA

## Flat suction cup (round) for very dynamic handling of smooth and oily workpieces



Size: 60  
Suction cup material:  
Nitrile rubber NBR  
Material hardness: 60 °Sh  
Vacuum connection:  
Rectangular adapter  
Nipple material: Aluminium

### Design Data



Attribute	Value
-----------	-------

dn	6 mm
----	------

Dmax(S)	67 mm
---------	-------

Ds	60.6 mm
----	---------

H	30.5 mm
---	---------

SW1	22 mm
-----	-------

Z	6 mm
---	------

### Technical Data

Attribute	Value
-----------	-------

Suction force	150 N
---------------	-------

Lateral force	105 N
---------------	-------

### Contact to Schmalz

J. Schmalz GmbH | Aacher Straße 29, Glatten, Deutschland | +49 7443 2403-105 | [kundencenter@schmalz.de](mailto:kundencenter@schmalz.de)



<b>Attribute</b>	<b>Value</b>
Lateral force (oily surface)	85 N
Volume	16.7 cm <sup>3</sup>
Curve radius (min) (convex)	75 mm
Internal hose diameter (recom.)	6 mm
Size	60
Suction cup material	Nitrile rubber NBR
Material hardness	60 °Sh
Weight	46.5 g
Number of folds	0

---

---