

# POMPE AD INGRANAGGI FISSAGGIO 4 FORI-ISO

CODICE FAMIGLIA  
FAMILY CODE

# 105-011

## 4 HOLES-ISO HYDRAULIC GEAR PUMPS

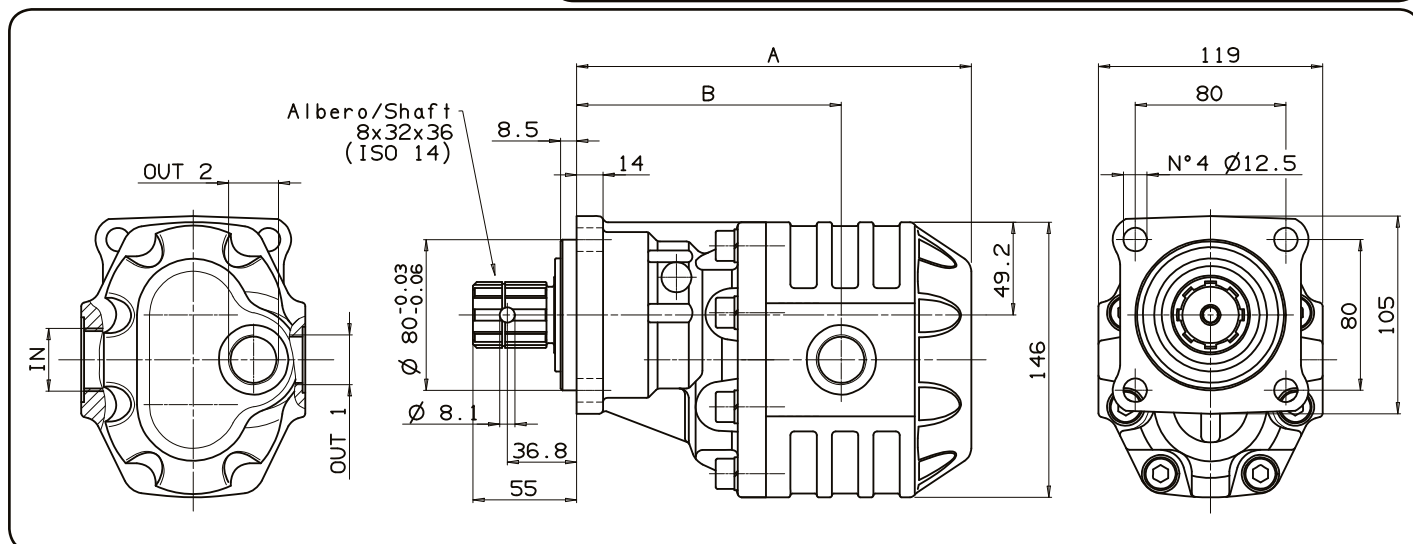
# NPH ISO



Codice fascicolo: 997-400-10510

Fluido idraulico Fluid	Minerale o sintetico compatibile con guarnizioni: Mineral or synthetic compatible with the following seals: NBR, FKM, FPM, Nylon				
Viscosità cinematica consigliata Kinematic viscosity suggested	T media ambiente (°C) Average ambient temp. (°C)	< -10	-10 ÷ 10	10 ÷ 35	> 35
	VG (cSt = mm <sup>2</sup> /s)	22	32	46	68
Viscosità cinematica ottimale di esercizio Optimale kinematic viscosity		VG = 10 cSt ÷ 100 cSt			
Viscosità cinematica max consentita all'avviamento Max kinematic viscosity suggested at the start-up		VG = 750 cSt			
Indice di viscosità consigliato Viscosity index suggested	VI > 100	Temperatura di esercizio Working temperature -15°C +100°C			
Grado di filtrazione Oil filtering		> 200 bar: 10 μm < 200 bar: 25 μm			
Pressione di aspirazione Inlet pressure		-0,3 ÷ 2 bar			
Senso di rotazione Pump rotation		Unidirezionale (DX o SX) Unidirectional (Right or Left)			

Data: Giovedì 24 settembre 2015



Codice foglio: 997-105-01105 Rev. AF

Tipo pompa Pump type	Rotazione Rotation		IN	OUT 1	OUT 2	A	B	Peso Weight
	Destra Right	Sinistra Left						
<b>NPH-17</b>	105-011-10173	105-011-10182	G 1/2	G 1/2	G 1/2	168.5	119.5	11
<b>NPH-22</b>	105-011-10226	105-011-10235				172	121.5	11.5
<b>NPH-27</b>	105-011-10271	105-011-10280	G 3/4	G 3/4	G 3/4	174.5	124	12
<b>NPH-34</b>	105-011-10342	105-011-10351				179.5	125	13
<b>NPH-43</b>	105-011-10431	105-011-10441	G 1	G 3/4	G 3/4	185.5	130	13.5
<b>NPH-51</b>	105-011-10511	105-011-10520				190.5	130.5	14
<b>NPH-61</b>	105-011-10619	105-011-10628	G 1	G 3/4	G 3/4	196.5	136.5	14.5
<b>NPH-73</b>	105-011-10735	105-011-10744				204.5	135.5	15
<b>NPH-82</b>	105-011-10824	105-011-10833	G 1 1/4	G 1	G 3/4	209.5	140.5	15.5
<b>NPH-90</b>	105-011-10904	105-011-10913				220.5	148.5	15.5
<b>NPH-100</b>	105-011-11001	105-011-11010	G 1 1/4	G 1	G 3/4	226.5	154.5	15
<b>NPH-125</b>	105-011-11252	105-011-11261				242.5	158.5	17

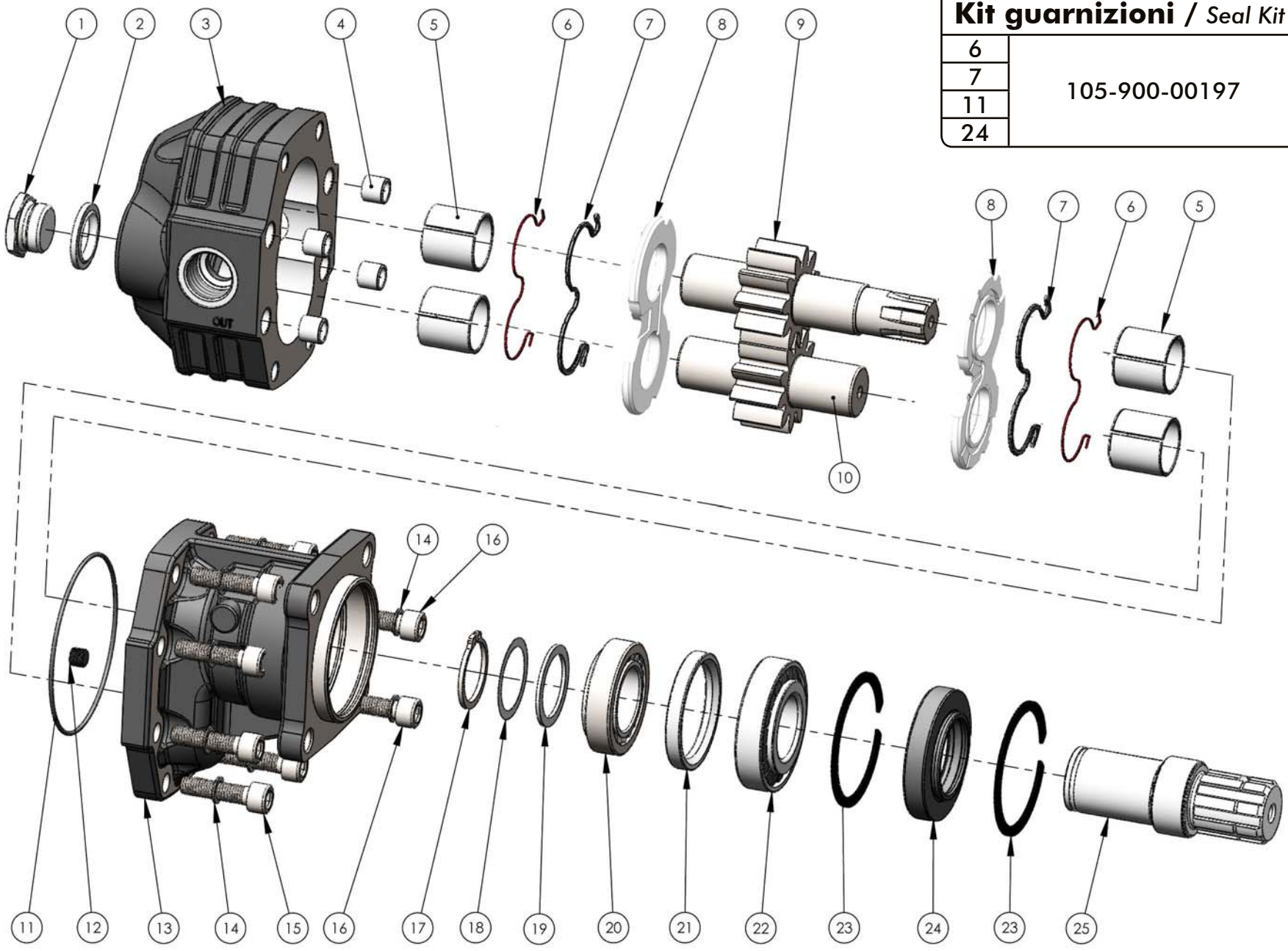
pag.37



O.M.F.B. S.p.A. Hydraulic Components  
We reserve the right to make any changes without notice.  
Edition 2003.03 No reproduction, however partial, is permitted.  
Via Cave, 7/9 25050 Provaglio d'Iseo (Brescia) Italy Tel.: +39.030.9830611  
Fax: +39.030.9839207-208 Internet: www.omfb.it e-mail: info@omfb.it

COMPANY WITH  
QUALITY SYSTEM  
CERTIFIED BY DNV GL  
= ISO/TS 16949 =

Kit guarnizioni / Seal Kit	
6	105-900-00197
7	
11	
24	



COMPANY WITH  
QUALITY SYSTEM  
CERTIFIED BY DNV GL  
= ISO/TS 16949 =

O.M.F.B. S.p.A. Hydraulic Components  
We reserve the right to make any changes without notice.  
Edition 2003.03 No reproduction, however partial, is permitted.  
Via Cove, 7/9 25050 Pagnanola d'Isco (Brescia) Italy Tel.: +39 030 9830611  
Fax: +39 030 9839207-208 Internet: www.omfb.it e-mail: info@omfb.it

pag. 38





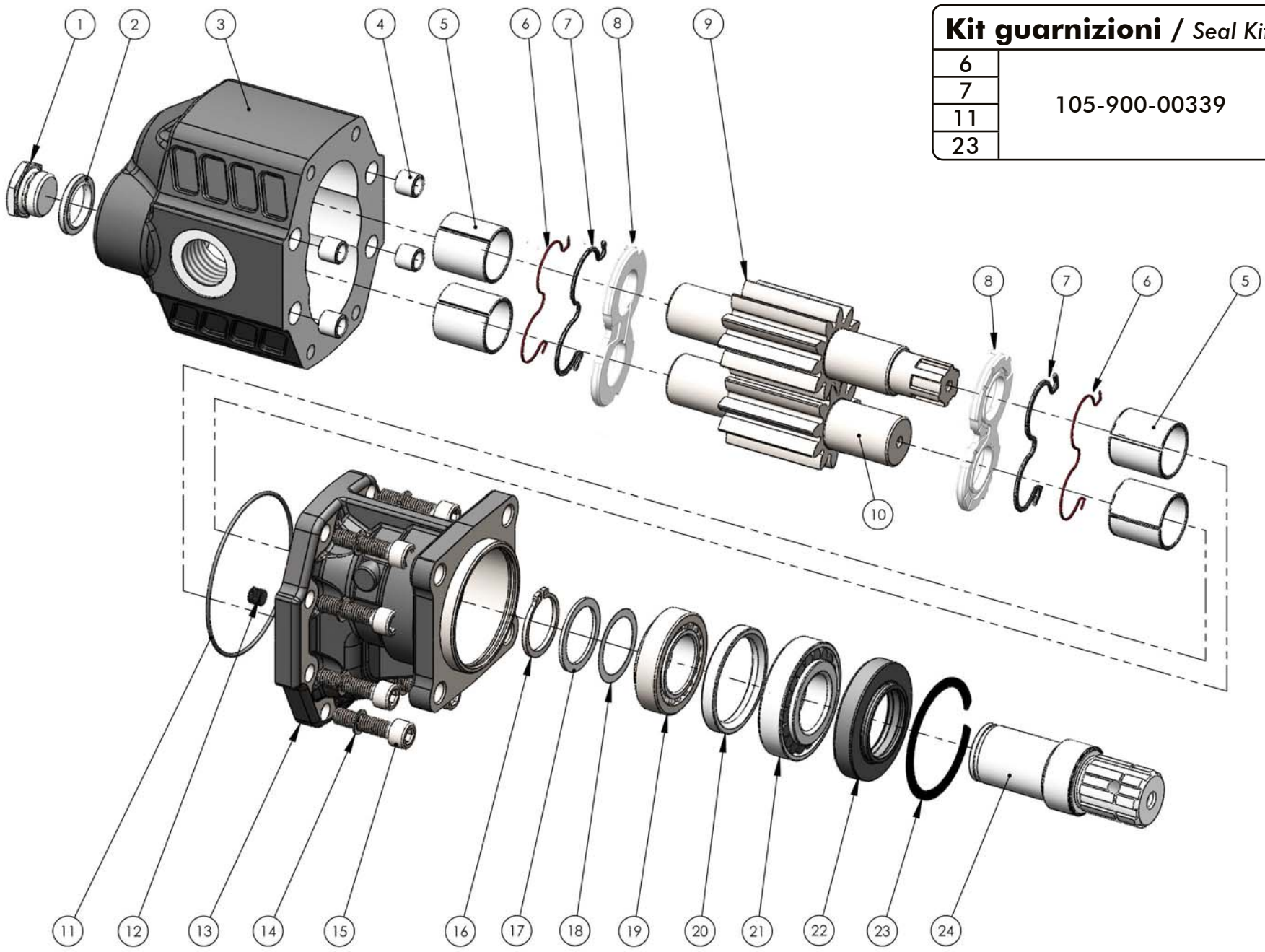
O.M.F.B. S.p.A. Hydraulic Components  
 We reserve the right to make any changes without notice.  
 Edition 2003.03 No reproduction, however partial, is permitted.  
 Via Cove - 719 25050 Poggio di Isco (Brescia) Italy Tel.: +39 030 9830617  
 Fax: +39 030 983207-208 Internet:www.omfb.it e-mail:info@omfb.it

pag. 39

COMPANY WITH  
 QUALITY SYSTEM  
 CERTIFIED BY DNV GL  
 = ISO/TS 16949 =

N° N°	17	22	27	34	43	51	61	73	82	Codice P. Number	Descrizione Description	Quantità Quantity	
1	•	•	•							540-002-00110	Tappo Acciaio 1/2"	Steel plug 1/2"	1
				•	•	•	•	•	•	540-002-00129	Tappo Acciaio 3/4"	Steel plug 3/4"	
2	•	•	•							116-009-10129	Rondella acciaio-gomma 1/2"	Steel-rubber washer 1/2"	1
				•	•	•	•	•	•	116-009-10343	Rondella acciaio-gomma 3/4"	Steel-rubber washer 3/4"	
3	•	•								517-010-00173	Corpo pompa	Gear housing	1
			•							517-010-00226			
				•						517-010-00271			
					•					517-010-00342			
						•				517-010-00431			
							•			517-010-00511			
								•		517-010-00619			
									•	517-010-00717			
								•	517-010-00824				
4	•	•	•	•	•	•	•	•	•	501-003-00282	Spine forate di centraggio 14x12.5	Pins 14x12.5	4
5	•	•	•	•	•	•	•	•	•	533-004-00033	Boccola autolub. 28x32x30	Bushing 28x32x30	4
6	•	•	•	•	•	•	•	•	•	506-000-01097	Guarnizione antiestrusione	Back-up ring	2
7	•	•	•	•	•	•	•	•	•	506-000-01088	Guarnizione per rasamento	Thrust plate seal	2
8	•	•	•	•	•	•	•	•	•	510-010-00293	Rasamento ad occhio	Thrust plate	2
9	•	•								523-020-00178	Albero dentato conduttore	Drive shaft	1
			•							523-020-00221			
				•						523-020-00276			
					•					523-020-00347			
						•				523-020-00436			
							•			523-020-00516			
								•		523-020-00614			
									•	523-020-00712			
								•	523-020-00829				
10	•	•								523-021-00177	Albero dentato condotto	Driven shaft	1
			•							523-021-00220			
				•						523-021-00275			
					•					523-021-00346			
						•				523-021-00435			
							•			523-021-00515			
								•		523-021-00613			
									•	523-021-00711			
								•	523-021-00828				
11	•	•	•	•	•	•	•	•	•	506-000-01579	Guarnizione OR (2x95)	O-ring (2x95)	1
12	•	•	•	•	•	•	•	•	•	504-010-00063	Grano conico 1/8"	Plug 1/8"	1
13	•	•	•	•	•	•	•	•	•	518-003-00116	Coperchio anteriore	Mounting cover	1
14	•	•	•	•	•	•	•	•	•	501-020-00101	Rondella elastica	Washer	8
15	•	•	•	•	•	•	•	•	•	502-004-00574	Vite TCE M10x40	Screw M10x40	8
												Screw M10x40	6
16	•	•	•	•	•	•	•	•	•	502-004-00565	Vite TCE M10x35	Screw M10x35	2
17	•	•	•	•	•	•	•	•	•	501-000-01355	Anello seeger	Seeger ring	1
18	•	•	•	•	•	•	•	•	•	529-007-00226	Rondella speciale 45x35x0,2	Special washer 45x35x0,2	1
19	•	•	•	•	•	•	•	•	•	529-007-00208	Rondella speciale 45x35x2	Special washer 45x35x2	1
20	•	•	•	•	•	•	•	•	•	510-002-00202	Cuscinetto a rulli conici 35x62x18	Tapered roller bearing 35x62x18	1
21	•	•	•	•	•	•	•	•	•	530-004-00164	Distanziale 52x64,2x8,25	Spacer 52x64,2x8,25	1
22	•	•	•	•	•	•	•	•	•	510-002-00211	Cuscinetto a rulli conici 35x72x18,25	Tapered roller bearing 35x62x18	1
23	•	•	•	•	•	•	•	•	•	501-000-02729	Anello elastico	Circlip	2
24	•	•	•	•	•	•	•	•	•	506-008-42723	Guarnizione paraolio	Oil seal	1
25	•	•	•	•	•	•	•	•	•	114-005-00147	Manicotto	Coupling	1

Kit guarnizioni / Seal Kit	
6	105-900-00339
7	
11	
23	



COMPANY WITH  
QUALITY SYSTEM  
CERTIFIED BY DNV GL  
= ISO/TS 16949 =

O.M.F.B. S.p.A. Hydraulic Components  
We reserve the right to make any changes without notice.  
Edition 2003.03 No reproduction, however partial, is permitted.  
Via Cova, 7/9 25050 Pagnanola d'Isco (Brescia) Italy tel.: +39 030 9830611  
Fax: +39 030 9839207-208 Internet: www.omfb.it e-mail: info@omfb.it

pag. 40



N° N°	90	100	125	Codice P. Number	Descrizione Description	Quantità Quantity	
1	•	•	•	540-002-00129	Tappo Acciaio 3/4"	Steel plug 3/4"	1
2	•	•	•	116-009-10343	Rondella acciaio-gomma 3/4"	Steel-rubber washer 3/4"	1
3	•			517-010-00904	Corpo pompa	Gear housing	1
		•		517-010-00995			
			•	517-010-01252			
4	•	•	•	501-003-00282	Spine forate di centraggio 14x12.5	Pins 14x12.5	4
5	•	•	•	533-004-00060	Boccola autolub. 30x34x35	Bushing 30x34x35	4
6	•	•	•	506-000-01284	Guarnizione antiestrusione	Back-up ring	2
7	•	•	•	506-000-01275	Guarnizione per rasamento	Thrust plate seal	2
8	•	•	•	510-010-00346	Rasamento ad occhiale	Thrust plate	2
9	•			523-023-00906	Albero dentato conduttore	Drive shaft	1
		•		523-023-01003			
			•	523-023-01254			
10	•			523-023-00915	Albero dentato condotto	Driven shaft	1
		•		523-023-01012			
			•	523-023-01263			
11	•	•	•	506-000-01579	Guarnizione OR (2x95)	O-ring (2x95)	1
12	•	•	•	504-010-00063	Grano conico 1/8"	Plug 1/8"	1
13	•			518-003-00527	Coperchio anteriore	Mounting cover	1
		•	•	518-003-00152			
14	•	•	•	501-020-00101	Rondella elastica	Washer	8
15	•	•	•	502-004-00574	Vite TCE M10x40	Screw M10x40	8
16	•	•	•	501-000-01355	Anello seeger	Seeger ring	1
17	•	•	•	529-007-00226	Rondella speciale 45x35x0,,2	Special washer 45x35x0,2	1
18	•	•	•	529-007-00208	Rondella speciale 45x35x2	Special washer 45x35x2	1
19	•	•	•	510-002-00202	Cuscinetto a rulli conici 35x62x18	Tapered roller bearing 35x62x18	1
20	•	•	•	530-004-00164	Distanziale 52x64,2x8,25	Spacer 52x64,2x8,25	1
21	•	•	•	510-002-00211	Cuscinetto a rulli conici 35x72x18,25	Tapered roller bearing 35x72x18,25	1
22	•	•	•	506-008-42723	Guarnizione paraolio	Oil seal	1
23	•	•	•	501-000-02729	Anello elastico	Circlip	2
24	•	•	•	114-005-00147	Manicotto	Coupling	1

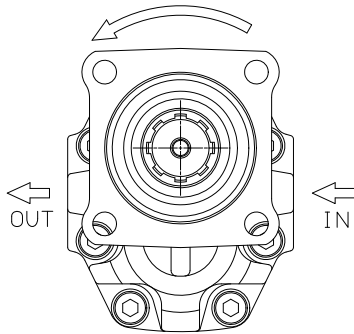
**CARATTERISTICHE TECNICHE DI FUNZIONAMENTO - TECHNICAL FEATURES**

Tipo pompa Pump type	Cilindrata Displacement cm <sup>3</sup> /rev	Pressione Pressure			Velocità max. continua Max. continuous speed rpm	Velocità max. intermittente Max. intermittent speed rpm	Velocità min. Min. speed rpm
		P1 bar	P2 bar	P3 bar			
<b>NPH-17</b>	17.04	290	315	325	2500	3000	300
<b>NPH-22</b>	22.15						
<b>NPH-27</b>	26.18						
<b>NPH-34</b>	33.88	280	300	310	2200	2800	
<b>NPH-43</b>	43.12	270	290	300	2000	2500	
<b>NPH-51</b>	50.82	240	260	280			
<b>NPH-61</b>	60.06	220	240	250	1800	2000	
<b>NPH-73</b>	72.88	200	220	230	1600	1800	
<b>NPH-82</b>	81.08	190	210	220	1500		
<b>NPH-90</b>	90.43	180	200				
<b>NPH-100</b>	98.18	180	200				
<b>NPH-125</b>	122.72	160	180	200			

P1=Pressione max.continua Max. continuous pressure (100%)  
P2=Pressione max. intermittente Max. Intermittent pressure (20 sec.max.)  
P3=Pressione max. di punta Max. peak pressure (6 sec.max)

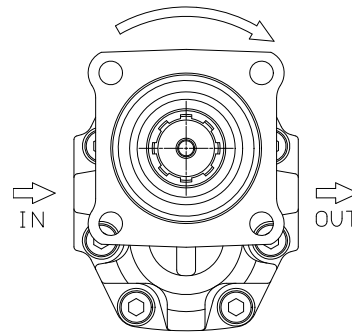
**SENSO DI ROTAZIONE POMPA - DIRECTION OF ROTATION:**

**Rotazione antioraria, pompa sinistra**  
*Anti-clockwise rotation, left pump*

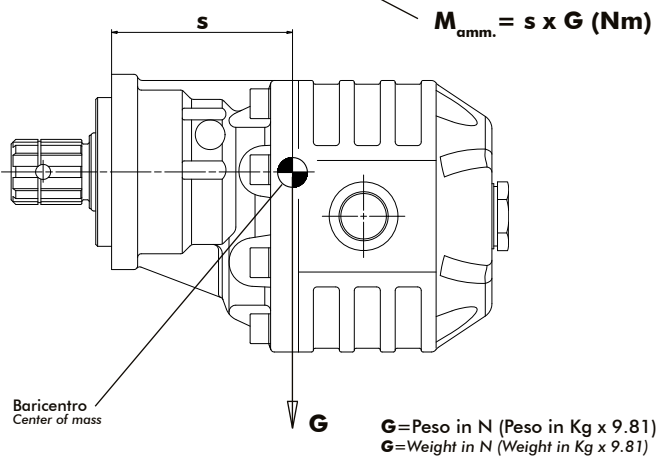


Vista FRONTALE  
FRONT

**Rotazione oraria, pompa destra**  
*Clockwise rotation, right pump*



Vista FRONTALE  
FRONT

**MOMENTO PESO / MASS MOMENT**

Tipo pompa - Pump type	S
<b>NPH-17</b>	93
<b>NPH-22</b>	94
<b>NPH-27</b>	96
<b>NPH-34</b>	99
<b>NPH-43</b>	101
<b>NPH-51</b>	103
<b>NPH-61</b>	106
<b>NPH-73</b>	110
<b>NPH-82</b>	113
<b>NPH-90</b>	120
<b>NPH-100</b>	121
<b>NPH-125</b>	130

**PER MODIFICARE IL SENSO DI ROTAZIONE VEDERE ISTRUZ. 997-2-42**  
**TO CHANGE THE DIRECTION OF ROTATION SEE INSTRUCTION 997-2-42**

**LA POMPA E' MUNITA DI PARAOLIO BIDIREZIONALE E DI CUSCINETTI A RULLI CONICI SULL'ALBERO DI USCITA**  
**THE PUMP IS COMPLETE WITH DOUBLE OIL-SEAL AND TAPERED ROLLER BEARING ON THE OUTPUT SHAFT**