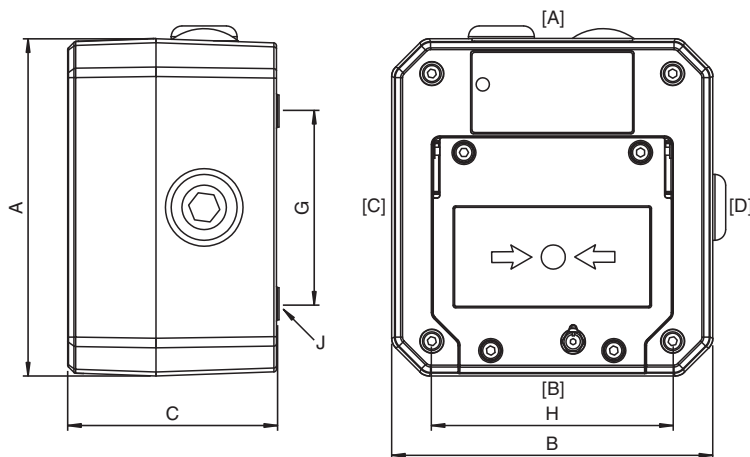


Manual Call Point Ex de IIC, GRP PF-GNExCP6A-BG-D-N-N-N-RD

- Spring mechanism with break glass
- Color red
- 120 mm x 126 mm x 79 mm
- Glass fiber reinforced polyester (GRP) enclosure
- Installation in Zone 1, Zone 2, Zone 21 and Zone 22
- Ex de and Ex t certified



Dimensions



Dimension values see data table.
Image and drawing are generic for this device type and may deviate from the specific variant.

Legend	
A	Height
B	Width
C	Depth
G	Mounting holes distance
H	Mounting holes distance
J	Mounting holes diameter
[A] ... [D]	Cable entry faces

Technical Data

Electrical specifications

Operating voltage	250 V AC max. , 50 V DC max.
Operating current	5 A AC max. 1 A DC max.
Terminal capacity	4 mm ²

Release date: 2020-06-02 Date of issue: 2020-06-02 Filename: 304485_eng.pdf

Refer to "General Notes Relating to Pepperl+Fuchs Product Information".

Pepperl+Fuchs Group
www.pepperl-fuchs.com

USA: +1 330 486 0002
pa-info@us.pepperl-fuchs.com

Germany: +49 621 776 2222
pa-info@de.pepperl-fuchs.com

Singapore: +65 6779 9091
pa-info@sg.pepperl-fuchs.com

PF PEPPERL+FUCHS

Technical Data

Line monitoring	none
Function	spring mechanism , with glass protection
Mechanical specifications	
Cover fixing	M6 stainless steel socket cap head screws
Degree of protection	IP66
Cable entry	metric threaded
Cable entry face A	
M20 quantity	2
M20 series	Stopping Plugs, Plastic
M20 info	face A/B alternatively by rotating the lower enclosure section
Cable entry face B	
M20 quantity	2
M20 series	Stopping Plugs, Plastic
M20 info	face A/B alternatively by rotating the lower enclosure section
Cable entry face C	
M20 quantity	1
M20 series	Stopping Plugs, Plastic
M20 info	face C/D alternatively by rotating the lower enclosure section
Cable entry face D	
M20 quantity	1
M20 series	Stopping Plugs, Plastic
M20 info	face C/D alternatively by rotating the lower enclosure section
Terminal assembly	
Terminal capacity	4 mm ²
Number of terminals per rail	6
Material	
Enclosure	Glass fiber reinforced polyester (GRP)
Glass	1.6 mm
Finish	moulded red
Seal	Rubber gasket
Mass	1.2 kg
Dimensions	
Height (A)	126 mm
Width (B)	120 mm
Depth (C)	79 mm
Mounting holes distance (G)	72 mm
Mounting holes distance (H)	90 mm
Mounting holes diameter (J)	6.2 mm
Grounding	internal screw joint M4 external grounding bolt M5
Ambient conditions	
Ambient temperature	-40 ... 55 °C (-40 ... 131 °F)
Data for application in connection with hazardous areas	
EU-type examination certificate	SIRA 09 ATEX 3286X
Marking	Ⓜ II 2 GD Ex d e IIC T* Gb Ex t IIIC T** Db T6/T60 °C @ Ta +55 °C
International approvals	
IECEX approval	IECEX SIR 09.0121X
Conformity	
Degree of protection	EN 60529
General information	

Release date: 2020-06-02 Date of issue: 2020-06-02 Filename: 304485_eng.pdf

Technical Data

Scope of delivery	device test key Instruction leaflet
Supplementary information	EC-Type Examination Certificate, Statement of Conformity, Declaration of Conformity, Attestation of Conformity and instructions have to be observed where applicable. For information see www.pepperl-fuchs.com .

Release date: 2020-06-02 Date of issue: 2020-06-02 Filename: 304485_eng.pdf

Refer to "General Notes Relating to Pepperl+Fuchs Product Information".

Pepperl+Fuchs Group
www.pepperl-fuchs.comUSA: +1 330 486 0002
pa-info@us.pepperl-fuchs.comGermany: +49 621 776 2222
pa-info@de.pepperl-fuchs.comSingapore: +65 6779 9091
pa-info@sg.pepperl-fuchs.com **PEPPERL+FUCHS**